

По вопросам продаж и поддержки обращайтесь:

Архангельск (8182)63-90-72  
Астана (7172)727-132  
Астрахань (8512)99-46-04  
Барнаул (3852)73-04-60  
Белгород (4722)40-23-64  
Брянск (4832)59-03-52  
Владивосток (423)249-28-31  
Волгоград (844)278-03-48  
Вологда (8172)26-41-59  
Воронеж (473)204-51-73  
Екатеринбург (343)384-55-89

Иваново (4932)77-34-06  
Ижевск (3412)26-03-58  
Казань (843)206-01-48  
Калининград (4012)72-03-81  
Калуга (4842)92-23-67  
Кемерово (3842)65-04-62  
Киров (8332)68-02-04  
Краснодар (861)203-40-90  
Красноярск (391)204-63-61  
Курск (4712)77-13-04  
Липецк (4742)52-20-81

Магнитогорск (3519)55-03-13  
Москва (495)268-04-70  
Мурманск (8152)59-64-93  
Набережные Челны (8552)20-53-41  
Нижний Новгород (831)429-08-12  
Новокузнецк (3843)20-46-81  
Новосибирск (383)227-86-73  
Омск (3812)21-46-40  
Орел (4862)44-53-42  
Оренбург (3532)37-68-04  
Пенза (8412)22-31-16

Пермь (342)205-81-47  
Ростов-на-Дону (863)308-18-15  
Рязань (4912)46-61-64  
Самара (846)206-03-16  
Санкт-Петербург (812)309-46-40  
Саратов (845)249-38-78  
Севастополь (8692)22-31-93  
Симферополь (3652)67-13-56  
Смоленск (4812)29-41-54  
Сочи (862)225-72-31  
Ставрополь (8652)20-65-13

Сургут (3462)77-98-35  
Тверь (4822)63-31-35  
Томск (3822)98-41-53  
Тула (4872)74-02-29  
Тюмень (3452)66-21-18  
Ульяновск (8422)24-23-59  
Уфа (347)229-48-12  
Хабаровск (4212)92-98-04  
Челябинск (351)202-03-61  
Череповец (8202)49-02-64  
Ярославль (4852)69-52-93

Единый адрес: [ccn@nt-rt.ru](mailto:ccn@nt-rt.ru) | <http://www.conec.nt-rt.ru>

## SENSOR ACTOR LINE SOCKETS

# CONEC<sup>®</sup>

## TECHNOLOGY IN CONNECTORS<sup>™</sup>



# CONEC<sup>®</sup>

TECHNOLOGY IN CONNECTORS<sup>™</sup>

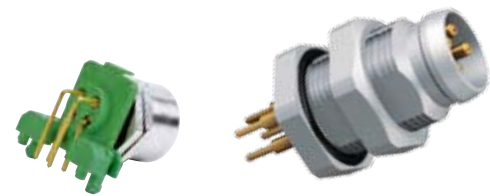
As a leading connector manufacturer CONEC develops, produces and markets connectors worldwide for the application fields: industrial electronics, telecommunications, automation, automotive, aerospace and medical.



CONEC Germany, Lippstadt



CONEC Canada, Brampton



CONEC USA, Garner





At the headquarters in Lippstadt CONEC maintain a large research and development department, its own tool making department, CNC-turning department and a synthetic injection moulding plant. CONEC is a global player with its own subsidiaries or production sites in Canada, the USA, China, Czech Republic, Poland, France and the UK.

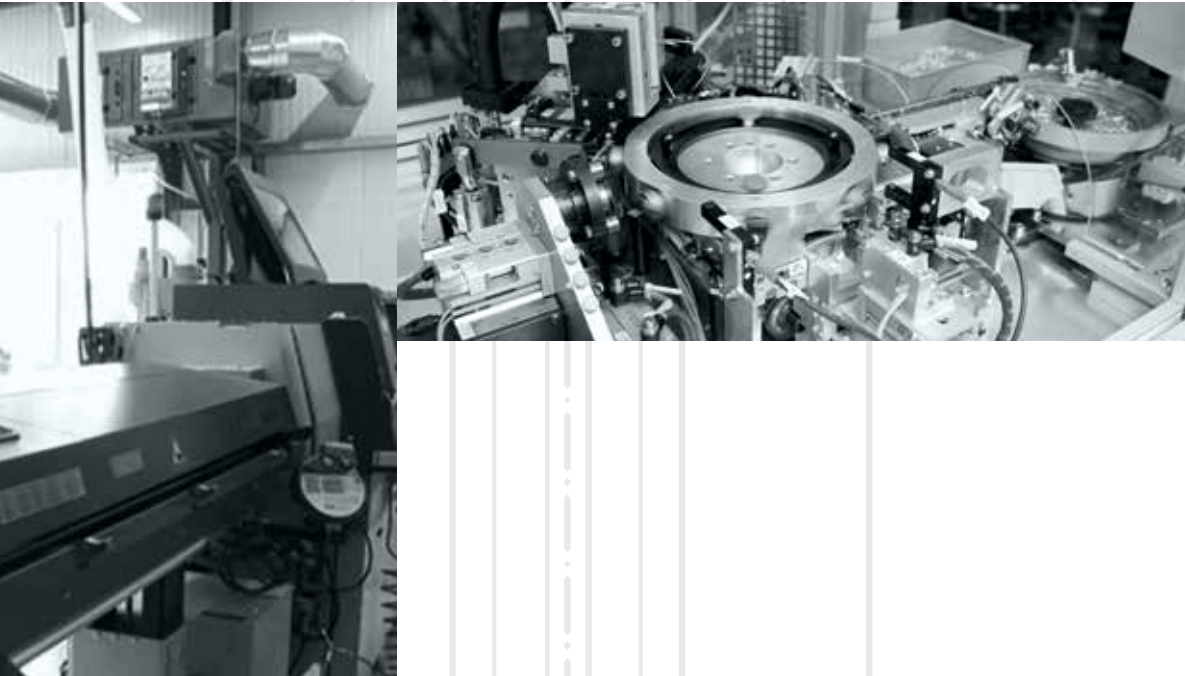




M12x1



24



Ø14

M12x1

M16x1,5



## OUR PHILOSOPHY – CUSTOMER SATISFACTION

CONEC products stand for precision and quality. Whether a standard solution or an application-specific customer solution is required: owing to its very high level of vertical integration, CONEC can satisfy nearly every requirement. The company's quality management system meets the requirements of the international standards TS 16949 and DIN ISO 9001. To fulfil international and national requirements most of CONEC product series are registered by UL, CSA or VDE.

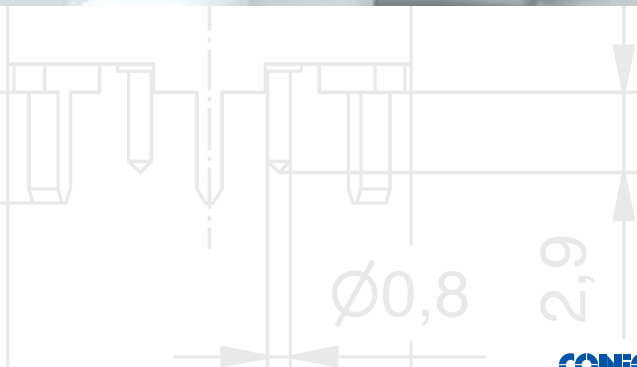
A



M16x1,5



M12x1



	Page
<b>FRONT PANEL MOUNTING</b>	<b>8</b>
Nomenclature, Productspecification	
<b>Wire termination</b>	<b>12</b>
Standard M8x1, M12x1, 7/8", PG9, M16, with LED M12x1, positionable M12x1, Square flange □26/□20 M12x1, coupling nut turnable M12x1	
<b>Solder termination / Solder cup</b>	<b>21</b>
Standard M12x1, Square flange □20 M12x1	
<b>Dip solder termination</b>	<b>22</b>
Standard M12x1, P5, P12, 7/8", dip solder termination 7/8", dip solder termination 2-parts X10, X5,5, dip solder termination 2-parts angled	
<b>Power</b>	<b>25</b>
M12x1, S- and T-Coding	
<b>Food &amp; Beverage</b>	<b>27</b>
Standard M8x1, M12x1 wire termination	
<b>High Temperature</b>	<b>28</b>
Standard M12x1 4-, 5-pos., wire termination, solder cup	
<b>Industrial BUS-Systems</b>	<b>31</b>
Industrial Ethernet 100 MHz D-Cod., Industrial Ethernet 500 MHz X-Cod., Industrial Ethernet 500 MHz B-Cod. Profibus, DeviceNet, CAN-Bus	
<b>BACK PANEL MOUNTING</b>	<b>36</b>
Nomenclature, Productspecification (Page 8)	
<b>Wire termination</b>	<b>36</b>
Standard M8x1, M12x1, 7/8", PG9, M16	
<b>Dip solder termination</b>	<b>39</b>
Standard M8x1, M12x1, P5,5, P12, 7/8", dip solder termination 7/8", dip solder termination 2-parts M12x1, X10, X5,5, dip solder termination 2-parts angled, housing with shielded connection P6,75	
<b>With cable, shielded</b>	<b>44</b>
Standard 5-, 8-, 12-pos., G2-cable	
<b>Power</b>	<b>46</b>
M12x1, S- and T-Coding	
<b>Food &amp; Beverage</b>	<b>47</b>
Standard M12x1	
<b>High Temperature</b>	<b>49</b>
M12x1 4-, 5-pos., wire termination, dip solder termination	
<b>Industrial BUS-Systems</b>	<b>51</b>
Industrial Ethernet 100 MHz D-Cod., Profibus-DP B-Cod., DeviceNet/CAN-Bus A-Cod.	

	Page
■ PROTECTION CAPS _____	59
■ PANEL PLUG MALE/FEMALE _____	60
Nomenclature, Productspecification	
<b>Solder version</b> _____	62
Standard M8x1, M12x1	
<b>Dip solder</b> _____	64
Standard M8x1, M12x1	
■ SOCKETS SMT _____	68
Nomenclature, Productspecification	
<b>Insulation body</b> _____	70
M12x1 Female socket with/without shielding, M12x1 Male socket with/without shielding	
<b>Sockets</b> _____	72
Front panel mounting installation height 9,0 mm, M12x1 Female socket with/without shielding, M12x1 Male socket with/without shielding	
Front panel mounting installation height 13,0 mm, M12x1 Female socket with/without shielding	
<b>Mounting hardware</b> _____	75
■ PIN ASSIGNMENT _____	76
■ PCB-LAYOUT _____	78
■ PANEL CUT OUT _____	81
■ SMT DIMENSION DRAWINGS & LAYOUT PROPOSAL _____	82
■ PART NUMBERS _____	88

# SAL M8x1 / M12x1 SOCKETS

## Nomenclature

S A L - - 8 S - F K P D A 3 - - XX - 9 / G4

**SAL**  
Sensor Actor Line

### Building

= Standard  
HT = Higher temperature resistance  
FB = Food & Beverage  
CN = CAN-Bus  
DN = DeviceNet

### Installation size

8 = M8x1  
12 = M12x1

### Coding

= A-coding                      SC = S-coding  
S = A-coding shielded      T = T-coding  
B = B-coding  
D = D-coding  
X = X-coding

### Configuration

F = Socket

### Configuration

K = Female Connector  
S = Male Connector

### Assembly

= Front panel mounting  
P = Positioning possible  
H = Back panel mounting

### Building

D = Coupling nut turnable  
V = Square flange  
VO = Square flange with O-ring

### Building

A = Axial  
W = Angled

### Number of poles

3 = 3-pos.                      6 = 6-pos.  
4 = 4-pos.                      8 = 8-pos.  
5 = 5-pos.                      12 = 12-pos.

### LED-display

= Without LEDs  
4L = 4 LEDs

### Type of Connection

P5,5 = Length [mm]      P12 = Length [mm]                      X5,5 = Installation height [mm]  
P6,75 = Length [mm]      XX = Length of wire [m]                      X10,0 = Installation height [mm]

### Screw connection

= M8x0,5                      M8x1  
= M16x1,5                      M12x1  
9 = PG9  
12 = M12x1  
20 = M20x1,5

### Dimension

20 = □ 20 mm  
26 = □ 26 mm

### Cable quality

G4 = TPU, violet, UL, AWG22      G2 = TPU, black, UL  
G5 = PVC, violet, UL, AWG22      G3 = PVC, grey  
G6 = TPU, green, UL, AWG22      GJ = TPU, violet, UL, 2x AWG 22 / 2x AWG 24



# SAL M8x1 / M12x1 SOCKETS

## Productspecification

<b>Basic material</b>	
Contact	CuZn
Contact plating	Nickel-plated, gold-plated
Contact carrier	PBT GF, UL 94 / PA, UL 94 / TPU GF, UL 94
Sealing	FPM / NBR
Counter nut	CuZn, nickel-plated
Socket housing	CuZn, nickel-plated
Grouting	Polyurethane-resin, UL 94
Shielding	Spring steel
Shielding plated	Sn plated
Coupling nut turnable	GD-Zn, nickel-plated
Light conductor	PA 12

## Technical Data

Information on the following pages are basing on below mentioned IEC-standards.

Rated voltage	IEC 61076-2-101 / IEC 61076-2-104
Current rating	IEC 61076-2-101 / IEC 61076-2-104
Insulation resistance	IEC 60512
Pollution degree	IEC 60664-1
Degree of protection	IEC 60529
Mating cycles	IEC 60512-9a

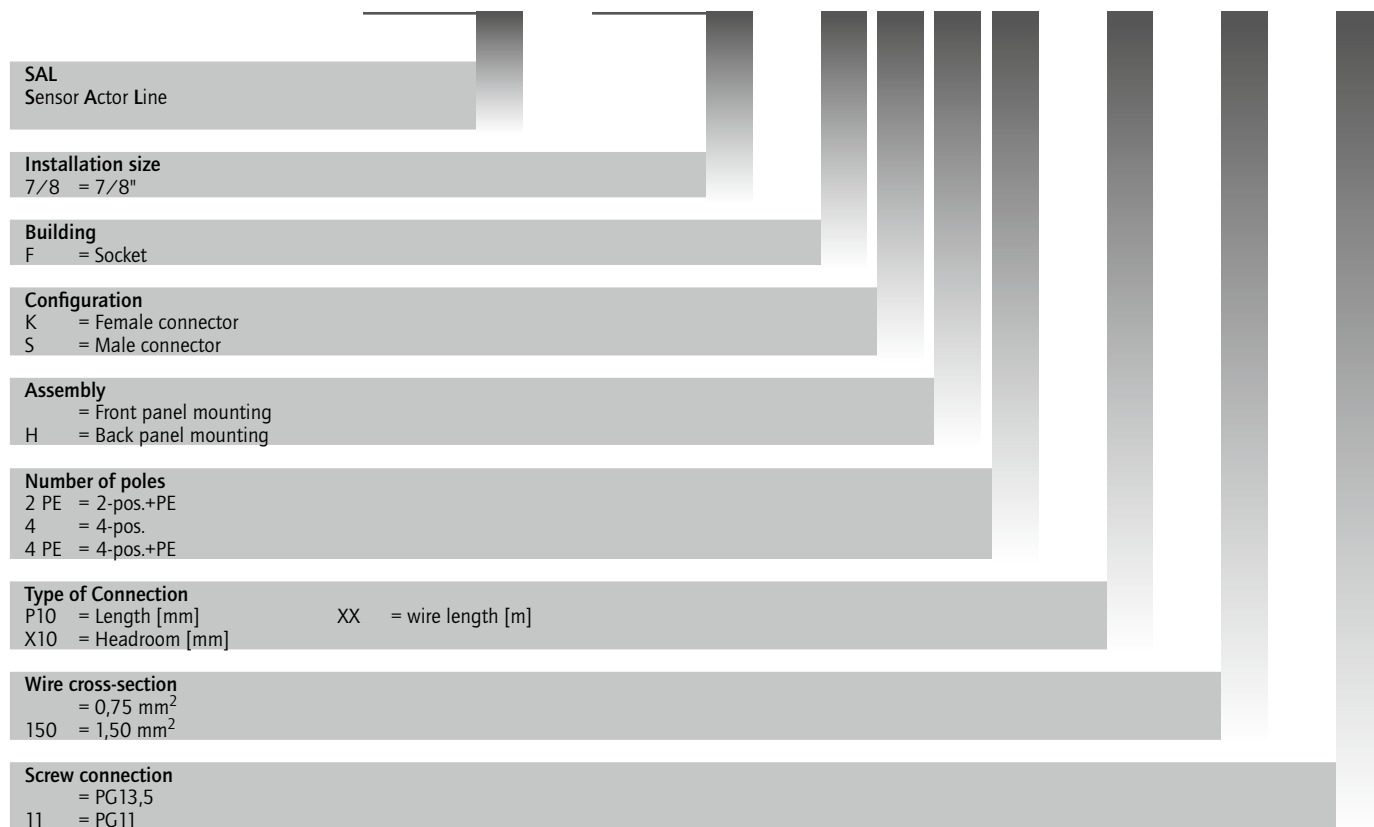
Recommended torque for housing: 0,8-1,2 Nm

Technical subject to change without notice.

# SAL 7/8" SOCKETS

## Nomenclature

S A L - 7 / 8 - F K 4 - 0,5 / -



# SAL 7/8" SOCKETS

## Productspecification

<b>Basic material</b>	
Contact	CuZn
Contact plating	Nickel-plated, gold-plated
Contact carrier	TPU, UL 94
Sealing	FPM
Counter nut	CuZn, nickel-plated
Socket housing	CuZn, nickel-plated
Grouting	Polyurethane-resin, UL 94
Shielding	CuSn6
Shielding plated	Sn plated

## Technical Data


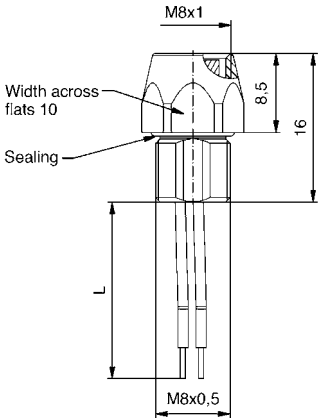
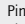
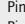
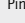

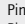
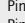
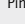

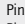

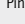

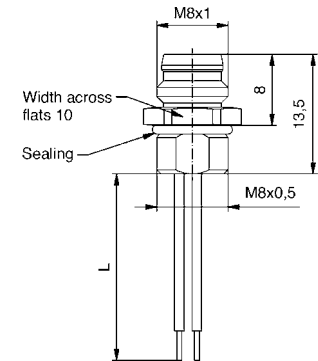
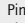
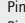
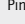

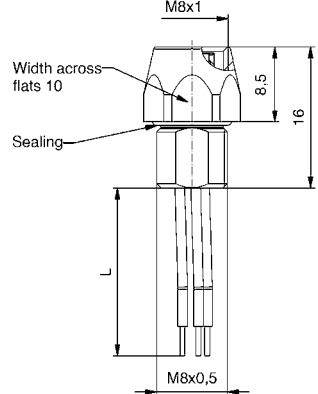


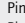
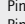
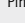

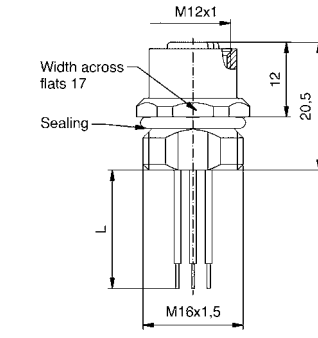


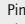
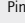
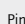
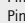

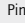

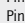


Information on the following pages are basing on below mentioned IEC-standards.

Rated voltage	IEC 60664-1
Overtoltage category	IEC 60664-1 2
Overtoltage impulse	IEC 60664-1 2,7kV
Current rating	IEC 60512-3
Insulation resistance	IEC 60512
Pollution degree	IEC 60664-1
Degree of protection	IEC 60529
Mating cycles	IEC 60512-9a

Technical subject to change without notice.


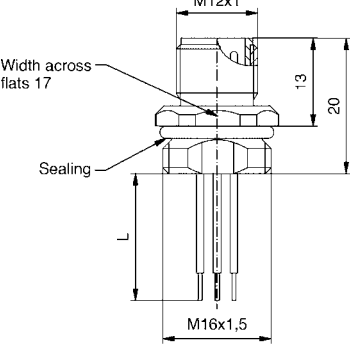























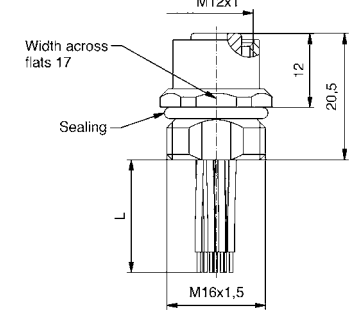













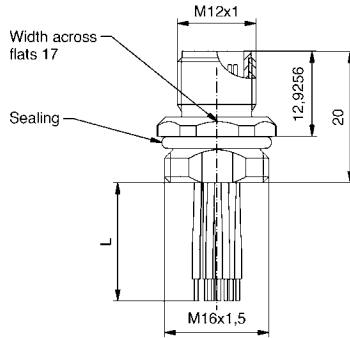













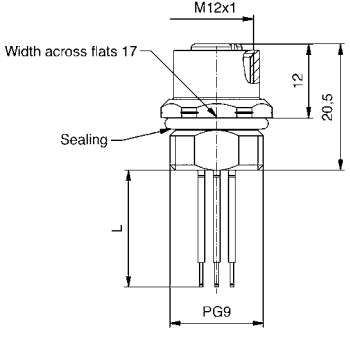






















# FRONT PANEL MOUNTING

## Wire termination

M8x1		Contact Assignment	Number of poles	Coding	Rated voltage [V]	Current rating [A]	Material wire	Wire Ø [AWG]	Wire length = L [m]	Part No. / Description
M8x1 Female socket M8x0,5-thread 		Pin 1  Pin 3  Pin 4 	3	60	3	PVC	24	0,2	42-01000 SAL-8-FK3-0,2	
			4	30	3	PVC	24	0,2	42-01001 SAL-8-FK4-0,2	
			8	30	1,5	PVC	26	0,2	42-01070 SAL-8-FK8-0,2	
		Pin 1  Pin 2  Pin 3  Pin 4 			Pin 5  Pin 6  Pin 7  Pin 8 					
M8x1 Male socket M8x0,5-thread 		Pin 1  Pin 3  Pin 4 	3	60	3	PVC	24	0,2	42-01032 SAL-8-FS3-0,2	
			4	30	3	PVC	24	0,2	42-01033 SAL-8-FS4-0,2	
M8x1 Female socket M8x0,5-thread 		Pin 1  Pin 2  Pin 3  Pin 4  Pin 5 	5	B	30	3	PVC	24	0,2	42-01069 SAL-8B-FK5.1-0,2
M12x1 Female socket M16x1,5-thread 		Pin 1  Pin 2  Pin 3  Pin 4 	4	A	250	4	PVC	24	0,5	43-01000 SAL-12-FK4-0,5
			5	A	60	4	PVC	24	0,5	43-01001 SAL-12-FK5-0,5
			5	A	60	4	PVC	24	0,5	43-01045 SAL-12-FK5.1-0,5
			8	A	30	2	PVC	24	0,5	43-01002 SAL-12-FK8-0,5
		Pin 1  Pin 2  Pin 3  Pin 4 			Pin 5  Pin 6  Pin 7  Pin 8 					


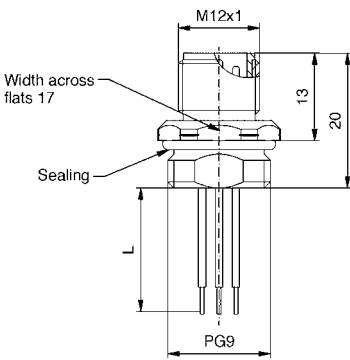



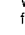
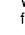














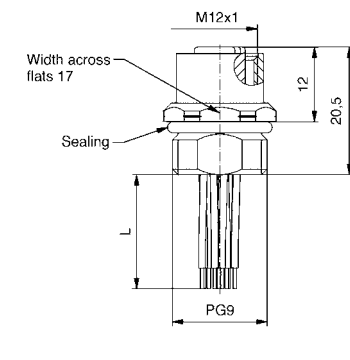













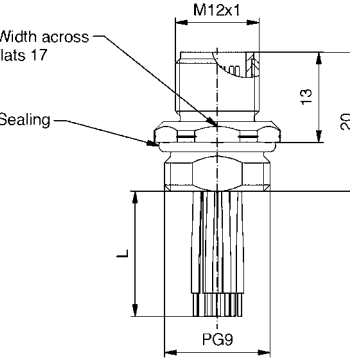

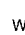
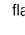

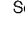








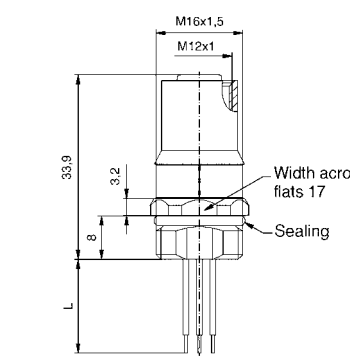



# FRONT PANEL MOUNTING

## Wire termination

M12x1		Contact Assignment	Number of poles	Coding	Rated voltage [V]	Current rating [A]	Material wire	Wire Ø [AWG]	Wire length = L [m]	Part No. / Description
M12x1 Male socket M16x1,5-thread  		Pin 1  Pin 2  Pin 3  Pin 4 	4	A	250	4	PVC	24	0,5	43-01009 SAL-12-FS4-0,5
		Pin 1  Pin 2  Pin 3  Pin 4  Pin 5 	5	A	60	4	PVC	24	0,5	43-01010 SAL-12-FS5-0,5
		Pin 1  Pin 2  Pin 3  Pin 4  Pin 5 	5	A	60	4	PVC	24	0,5	43-01049 SAL-12-FS5.1-0,5
		Pin 1  Pin 2  Pin 3  Pin 4  Pin 5  Pin 6  Pin 7  Pin 8 	8	A	30	2	PVC	24	0,5	43-01011 SAL-12-FS8-0,5
M12x1 Female socket M16x1,5-thread  		Pin 1  Pin 2  Pin 3  Pin 4  Pin 5  Pin 6  Pin 7  Pin 8  Pin 9  Pin 10  Pin 11  Pin 12 	12	A	30	1,5	PVC	26	0,5	43-01331 SAL-12-FK12-0,5
M12x1 Male socket M16x1,5-thread  		Pin 1  Pin 2  Pin 3  Pin 4  Pin 5  Pin 6  Pin 7  Pin 8  Pin 9  Pin 10  Pin 11  Pin 12 	12	A	30	1,5	PVC	26	0,5	43-01330 SAL-12-FS12-0,5
M12x1 Female socket PG9-thread  		Pin 1  Pin 2  Pin 3  Pin 4 	4	A	250	4	PVC	24	0,5	43-01073 SAL-12-FK4-0,5-9
		Pin 1  Pin 2  Pin 3  Pin 4  Pin 5 	5	A	60	4	PVC	24	0,5	43-01075 SAL-12-FK5-0,5-9
		Pin 1  Pin 2  Pin 3  Pin 4  Pin 5 	5	A	60	4	PVC	24	0,5	43-01074 SAL-12-FK5.1-0,5-9
		Pin 1  Pin 2  Pin 3  Pin 4  Pin 5  Pin 6  Pin 7  Pin 8 	8	A	30	2	PVC	24	0,5	43-01097 SAL-12-FK8-0,5-9


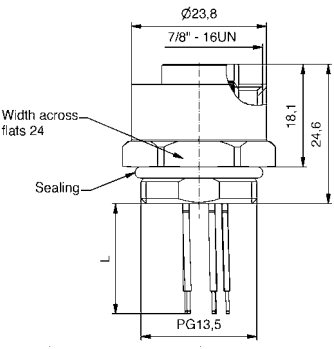




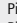
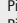

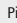

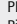
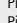
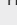

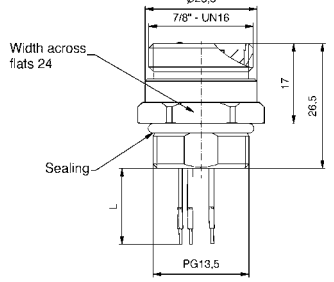
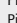
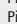
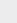
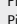
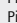
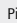
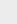
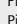
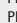
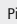

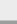

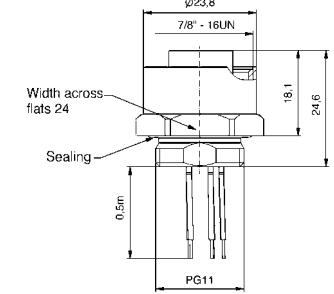
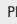

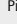


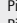

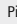
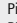
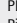

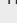

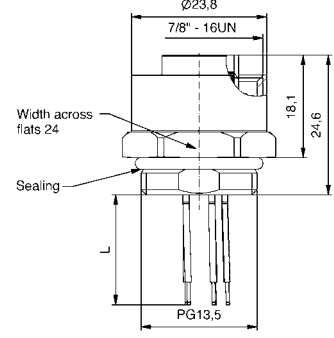
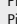
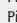
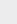
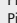
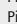
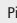
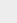
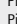
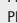
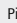
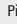
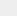
# FRONT PANEL MOUNTING

## Wire termination

M12x1		Contact Assignment	Number of poles	Coding	Rated voltage [V]	Current rating [A]	Material wire	Wire Ø [AWG]	Wire length = L [m]	Part No. / Description
<b>M12x1 Male socket</b> PG9-thread	 	Pin 1  Pin 2  Pin 3  Pin 4 	4	A	250	4	PVC	24	0,5	43-01082 SAL-12-FS4-0,5-9
		Pin 1  Pin 2  Pin 3  Pin 4  Pin 5 	5	A	60	4	PVC	24	0,5	43-01084 SAL-12-FS5-0,5-9
		Pin 1  Pin 2  Pin 3  Pin 4  Pin 5 	5	A	60	4	PVC	24	0,5	43-01083 SAL-12-FS5.1-0,5-9
		Pin 1  Pin 2  Pin 3  Pin 4 	8	A	30	2	PVC	24	0,5	43-01099 SAL-12-FS8-0,5-9
<b>M12x1 Female socket</b> PG9-thread	 	Pin 1  Pin 2  Pin 3  Pin 4  Pin 5  Pin 6 	12	A	30	1,5	PVC	26	0,5	43-01345 SAL-12-FK12-0,5-9
		Pin 7  Pin 8  Pin 9  Pin 10  Pin 11  Pin 12 								
<b>M12x1 Male socket</b> PG9-thread	 	Pin 1  Pin 2  Pin 3  Pin 4  Pin 5  Pin 6 	12	A	30	1,5	PVC	26	0,5	43-01346 SAL-12-FS12-0,5-9
		Pin 7  Pin 8  Pin 9  Pin 10  Pin 11  Pin 12 								
<b>M12x1 mit LED</b> <b>M12x1 Female socket</b> with LED M16x1,5-thread	 	Pin 1  Pin 3  Pin 4 	3	A	10-30	4	PVC	22	0,5	43-01867 SAL-12-FK3-4L-0,5


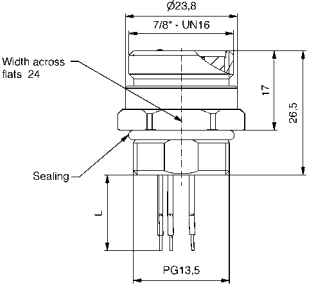

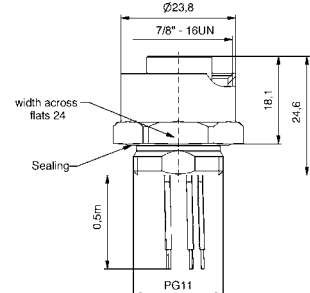

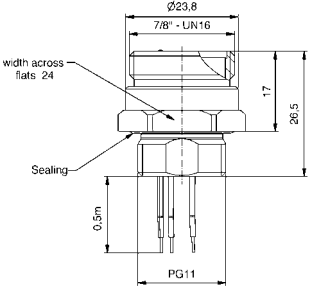

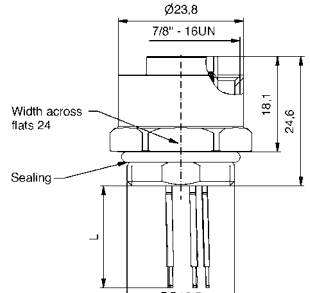
# FRONT PANEL MOUNTING

## Wire termination

7/8"		Contact Assignment	Number of poles	Coding	Rated voltage [V]	Current rating [A]	Material wire	Wire Ø [AWG]	Wire length = L [m]	Part No. / Description
 <p>7/8" Female socket PG13,5-thread</p>		PE  Pin 2  Pin 3 	2+PE	300	8	PVC	18	0,5	41-40006 SAL-7/8-FK2PE-0,5	
		Pin 1  Pin 2  Pin 3  Pin 4 	4	300	8	PVC	18	0,5	41-40007 SAL-7/8-FK4-0,5	
		Pin 1  Pin 2  Pin 3  Pin 4  Pin 5 	4+PE	300	8	PVC	18	0,5	41-40008 SAL-7/8-FK4PE-0,5	
 <p>7/8" Male socket PG13,5-thread</p>		PE  Pin 2  Pin 3 	2+PE	300	8	PVC	18	0,5	41-40000 SAL-7/8-FS2PE-0,5	
		Pin 1  Pin 2  Pin 3  Pin 4 	4	300	8	PVC	18	0,5	41-40001 SAL-7/8-FS4-0,5	
		Pin 1  Pin 2  Pin 3  Pin 4  Pin 5 	4+PE	300	8	PVC	18	0,5	41-40002 SAL-7/8-FS4PE-0,5	
 <p>7/8" Female socket PG11-thread</p>		PE  Pin 2  Pin 3 	2+PE	300	8	PVC	18	0,5	41-40030 SAL-7/8-FK2PE-0,5-11	
		Pin 1  Pin 2  Pin 3  Pin 4 	4	300	8	PVC	18	0,5	41-40031 SAL-7/8-FK4-0,5-11	
		Pin 1  Pin 2  Pin 3  Pin 4  Pin 5 	4+PE	300	8	PVC	18	0,5	41-40032 SAL-7/8-FK4PE-0,5-11	
 <p>7/8" Male socket PG11-thread</p>		PE  Pin 2  Pin 3 	2+PE	300	8	PVC	18	0,5	41-40024 SAL-7/8-FS2PE-0,5-11	
		Pin 1  Pin 2  Pin 3  Pin 4 	4	300	8	PVC	18	0,5	41-40025 SAL-7/8-FS4-0,5-11	
		Pin 1  Pin 2  Pin 3  Pin 4  Pin 5 	4+PE	300	8	PVC	18	0,5	41-40026 SAL-7/8-FS4PE-0,5-11	

# FRONT PANEL MOUNTING

## Wire termination

7/8"		Contact Assignment	Number of poles	Coding	Rated voltage [V]	Current rating [A]	Material wire	Wire Ø [AWG]	Wire length = L [m]	Part No. / Description
<p>7/8" Female socket PG13,5-thread</p> 		<p>PE <span style="color: green;">■</span></p> <p>Pin 2 <span style="color: brown;">■</span></p> <p>Pin 3 <span style="color: blue;">■</span></p>	2+PE	300	8	PVC	18	0,5	41-40000 SAL-7/8-FS2PE-0,5	
		<p>Pin 1 <span style="color: brown;">■</span></p> <p>Pin 2 <span style="color: white;">■</span></p> <p>Pin 3 <span style="color: blue;">■</span></p> <p>Pin 4 <span style="color: black;">■</span></p>	4	300	8	PVC	18	0,5	41-40001 SAL-7/8-FS4-0,5	
		<p>Pin 1 <span style="color: black;">■</span></p> <p>Pin 2 <span style="color: blue;">■</span></p> <p>Pin 3 <span style="color: green;">■</span></p> <p>Pin 4 <span style="color: brown;">■</span></p> <p>Pin 5 <span style="color: white;">■</span></p>	4+PE	300	8	PVC	18	0,5	41-40002 SAL-7/8-FS4PE-0,5	
<p>7/8" Male socket PG13,5-thread</p> 		<p>PE <span style="color: green;">■</span></p> <p>Pin 2 <span style="color: brown;">■</span></p> <p>Pin 3 <span style="color: blue;">■</span></p>	2+PE	300	8	PVC	18	0,5	41-40030 SAL-7/8-FK2PE-0,5-11	
		<p>Pin 1 <span style="color: brown;">■</span></p> <p>Pin 2 <span style="color: white;">■</span></p> <p>Pin 3 <span style="color: blue;">■</span></p> <p>Pin 4 <span style="color: black;">■</span></p>	4	300	8	PVC	18	0,5	41-40031 SAL-7/8-FK4-0,5-11	
		<p>Pin 1 <span style="color: black;">■</span></p> <p>Pin 2 <span style="color: blue;">■</span></p> <p>Pin 3 <span style="color: green;">■</span></p> <p>Pin 4 <span style="color: brown;">■</span></p> <p>Pin 5 <span style="color: white;">■</span></p>	4+PE	300	8	PVC	18	0,5	41-40032 SAL-7/8-FK4PE-0,5-11	
<p>7/8" Female socket PG11-thread</p> 		<p>PE <span style="color: green;">■</span></p> <p>Pin 2 <span style="color: brown;">■</span></p> <p>Pin 3 <span style="color: blue;">■</span></p>	2+PE	300	8	PVC	18	0,5	41-40024 SAL-7/8-FS2PE-0,5-11	
		<p>Pin 1 <span style="color: brown;">■</span></p> <p>Pin 2 <span style="color: white;">■</span></p> <p>Pin 3 <span style="color: blue;">■</span></p> <p>Pin 4 <span style="color: black;">■</span></p>	4	300	8	PVC	18	0,5	41-40025 SAL-7/8-FS4-0,5-11	
		<p>Pin 1 <span style="color: black;">■</span></p> <p>Pin 2 <span style="color: blue;">■</span></p> <p>Pin 3 <span style="color: green;">■</span></p> <p>Pin 4 <span style="color: brown;">■</span></p> <p>Pin 5 <span style="color: white;">■</span></p>	4+PE	300	8	PVC	18	0,5	41-40026 SAL-7/8-FS4PE-0,5-11	
<p>7/8" Male socket PG11-thread</p> 		<p>PE <span style="color: green;">■</span></p> <p>Pin 2 <span style="color: brown;">■</span></p> <p>Pin 3 <span style="color: blue;">■</span></p>	2+PE	300	12	PVC	16	0,5	41-40015 SAL-7/8-FK2PE-0,5/150	
		<p>Pin 1 <span style="color: brown;">■</span></p> <p>Pin 2 <span style="color: white;">■</span></p> <p>Pin 3 <span style="color: blue;">■</span></p> <p>Pin 4 <span style="color: black;">■</span></p>	4	300	12	PVC	16	0,5	41-40016 SAL-7/8-FK4-0,5/150	
		<p>Pin 1 <span style="color: black;">■</span></p> <p>Pin 2 <span style="color: blue;">■</span></p> <p>Pin 3 <span style="color: green;">■</span></p> <p>Pin 4 <span style="color: brown;">■</span></p> <p>Pin 5 <span style="color: white;">■</span></p>	4+PE	300	12	PVC	16	0,5	41-40017 SAL-7/8-FK4PE-0,5/150	



# FRONT PANEL MOUNTING

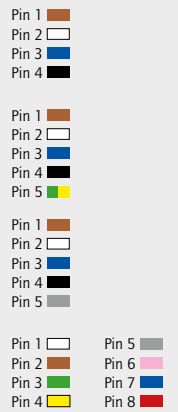
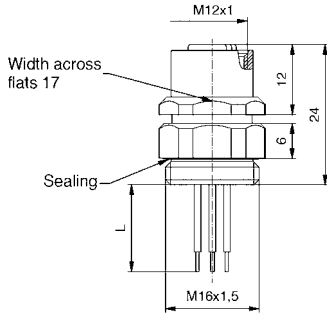
## Wire termination

M12x1 positioning possible

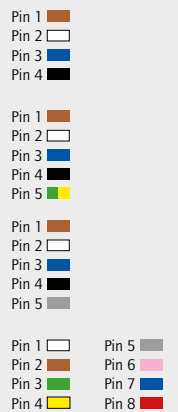
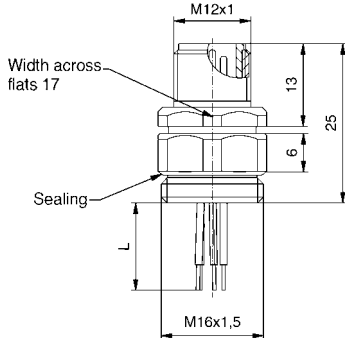
Contact Assignment

Number of poles	Coding	Rated voltage [V]	Current rating [A]	Material wire	Wire Ø [AWG]	Wire length = L [m]	Part No. / Description
4	A	250V	4	PVC	24	0,5	43-01006 SAL-12-FKP4-0,5
	A	60V	4	PVC	24	0,5	43-01007 SAL-12-FKP5-0,5
	A	60V	4	PVC	24	0,5	43-01053 SAL-12-FKP5.1-0,5
	A	30V	2	PVC	24	0,5	43-01008 SAL-12-FKP8-0,5
5	A	250V	4	PVC	24	0,5	43-01015 SAL-12-FKP4-0,5
	A	60V	4	PVC	24	0,5	43-01016 SAL-12-FKP5-0,5
	A	60V	4	PVC	24	0,5	43-01054 SAL-12-FKP5.1-0,5
	A	30V	2	PVC	24	0,5	43-01017 SAL-12-FKP8-0,5
12	A	30V	1,5	PVC	26	0,5	43-01341 SAL-12-FKP12-0,5
	A	30V	1,5	PVC	26	0,5	43-01342 SAL-12-FSP12-0,5

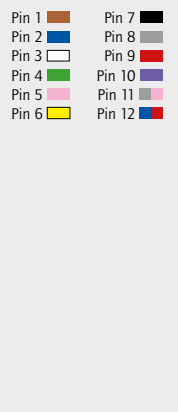
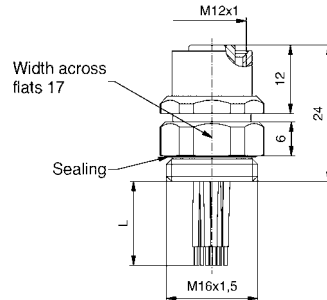
M12x1 Female socket positioning possible  
M16x1,5-thread



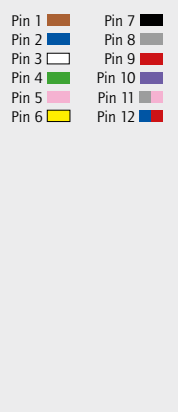
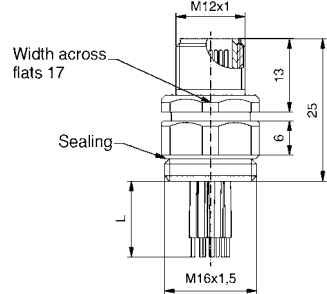
M12x1 Male socket positioning possible  
M16x1,5-thread



M12x1 Female socket positioning possible  
M16x1,5-thread



M12x1 Male socket positioning possible  
M16x1,5-thread



# FRONT PANEL MOUNTING

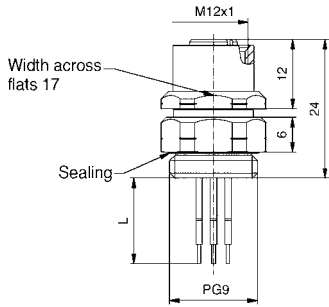
## Wire termination

M12x1 positioning possible

Contact Assignment

Number of poles	Coding	Rated voltage [V]	Current rating [A]	Material wire	Wire Ø [AWG]	Wire length = L [m]	Part No. / Description
4	A	250V	4	PVC	24	0,5	43-01091 SAL-12-FKP4-0,5-9
	A	60V	4	PVC	24	0,5	43-01093 SAL-12-FKP5-0,5-9
	A	60V	4	PVC	24	0,5	43-01092 SAL-12-FKP5.1-0,5-9
	A	30V	2	PVC	24	0,5	43-01101 SAL-12-FKP8-0,5-9
5	A	250V	4	PVC	24	0,5	43-01094 SAL-12-FSP4-0,5-9
	A	60V	4	PVC	24	0,5	43-01096 SAL-12-FSP5-0,5-9
	A	60V	4	PVC	24	0,5	43-01095 SAL-12-FKP5.1-0,5-9
	A	30V	2	PVC	24	0,5	43-01102 SAL-12-FSP8-0,5-9
12	A	30V	1,5	PVC	26	0,5	43-01347 SAL-12-FKP12-0,5-9
	A	30V	1,5	PVC	26	0,5	43-01348 SAL-12-FSP12-0,5-9

M12x1 Female socket positioning possible PG9-thread



Pin 1  
Pin 2  
Pin 3  
Pin 4

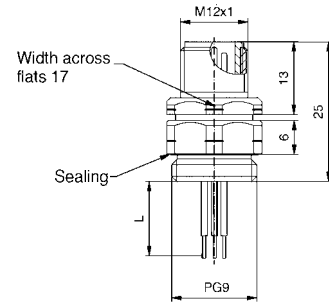
Pin 1  
Pin 2  
Pin 3  
Pin 4  
Pin 5

Pin 1  
Pin 2  
Pin 3  
Pin 4  
Pin 5

Pin 1  
Pin 2  
Pin 3  
Pin 4

Pin 5  
Pin 6  
Pin 7  
Pin 8

M12x1 Male socket positioning possible PG9-thread



Pin 1  
Pin 2  
Pin 3  
Pin 4

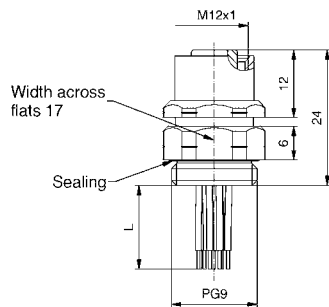
Pin 1  
Pin 2  
Pin 3  
Pin 4  
Pin 5

Pin 1  
Pin 2  
Pin 3  
Pin 4  
Pin 5

Pin 1  
Pin 2  
Pin 3  
Pin 4

Pin 5  
Pin 6  
Pin 7  
Pin 8

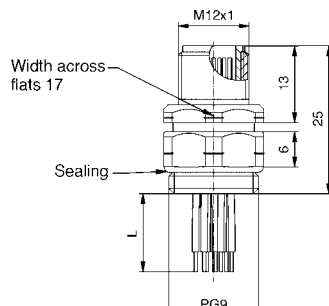
M12x1 Female socket positioning possible PG9-thread



Pin 1  
Pin 2  
Pin 3  
Pin 4  
Pin 5  
Pin 6

Pin 7  
Pin 8  
Pin 9  
Pin 10  
Pin 11  
Pin 12

M12x1 Male socket positioning possible PG9-thread



Pin 1  
Pin 2  
Pin 3  
Pin 4  
Pin 5  
Pin 6

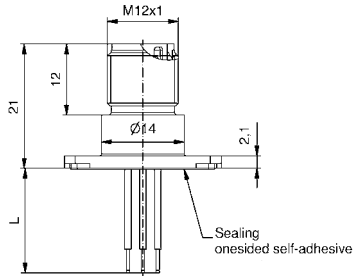
Pin 7  
Pin 8  
Pin 9  
Pin 10  
Pin 11  
Pin 12

# FRONT PANEL MOUNTING

## Wire termination

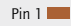
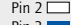
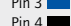
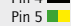
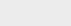
### M12x1 Square flange

M12x1 Male socket  
Housing size 26 mm



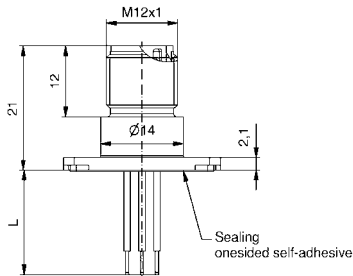
### Contact Assignment

Pin 1   
Pin 2   
Pin 3   
Pin 4 

Pin 1   
Pin 2   
Pin 3   
Pin 4   
Pin 5 

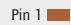
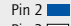
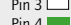
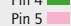
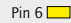
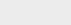
Number of poles	Coding	Rated voltage [V]	Current rating [A]	Material wire	Wire Ø [AWG]	Wire length = L [m]	Part No. / Description
4	A	250	4	PVC	24	0,5	43-01351 SAL-12-FSV4-0,5-26
5	A	60	4	PVC	24	0,5	43-01352 SAL-12-FSV5-0,5-26
8	A	30	2	PVC	24	0,5	43-01353 SAL-12-FSV8-0,5-26
12	A	30	1,5	PVC	24	0,5	43-01354 SAL-12-FSV12-0,5-26
4	A	250	4	PVC	24	0,5	43-01355 SAL-12-FSV4-0,5-20
5	A	60	4	PVC	24	0,5	43-01356 SAL-12-FSV5-0,5-20
8	A	30	2	PVC	24	0,5	43-01357 SAL-12-FSV8-0,5-20
12	A	30	1,5	PVC	24	0,5	43-01358 SAL-12-FSV12-0,5-20

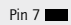
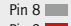


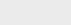
M12x1 Male socket  
Housing size 26 mm



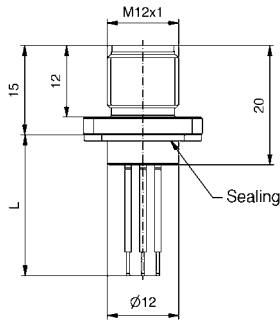
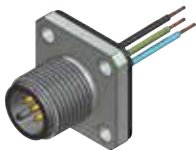
Pin 1   
Pin 2   
Pin 3   
Pin 4 

Pin 5   
Pin 6   
Pin 7   
Pin 8 

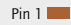
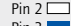
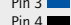
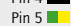
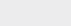
Pin 1   
Pin 2   
Pin 3   
Pin 4   
Pin 5   
Pin 6 

Pin 7   
Pin 8   
Pin 9   
Pin 10   
Pin 11   
Pin 12 

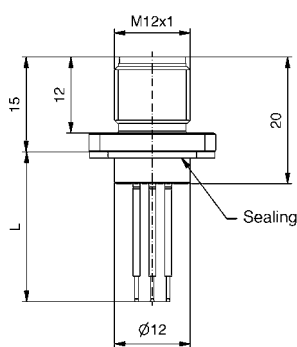
M12x1 Male socket  
Housing size 20 mm



Pin 1   
Pin 2   
Pin 3   
Pin 4 


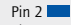
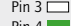

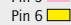
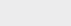
Pin 1   
Pin 2   
Pin 3   
Pin 4   
Pin 5 

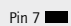
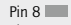
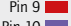

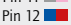
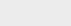
M12x1 Male socket  
Housing size 20 mm



Pin 1   
Pin 2   
Pin 3   
Pin 4 

Pin 5   
Pin 6   
Pin 7   
Pin 8 

Pin 1   
Pin 2   
Pin 3   
Pin 4   
Pin 5   
Pin 6 

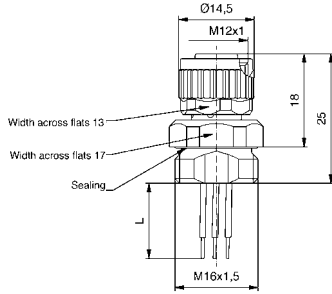
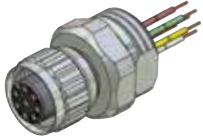
Pin 7   
Pin 8   
Pin 9   
Pin 10   
Pin 11   
Pin 12 

# FRONT PANEL MOUNTING

## Wire termination

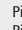
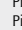
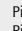
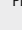
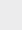
### M12x1 Coupling nut turnable

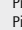
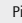
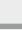
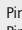
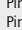

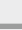
M12x1 Female socket  
M16x1,5-thread



### Contact Assignment

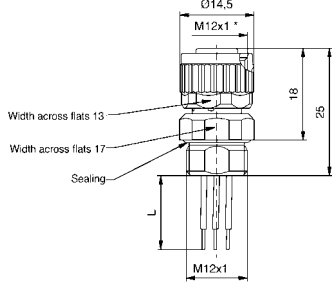
Pin 1   
Pin 2   
Pin 3   
Pin 4 

Pin 1   
Pin 2   
Pin 3   
Pin 4   
Pin 5 

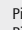
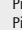
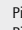
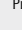
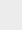
Pin 1   
Pin 2   
Pin 3   
Pin 4   
Pin 5   
Pin 6   
Pin 7   
Pin 8 

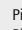
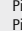
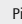


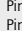
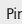

Number of poles	Coding	Rated voltage [V]	Current rating [A]	Material wire	Wire Ø [AWG]	Wire length = L [m]	Part No. / Description
4		250	4	PVC	24	0,05	43-01378 SAL-12-FKD4-0,05
5		60	4	PVC	24	0,05	43-01381 SAL-12-FKD5-0,05
8		30	2	PVC	24	0,05	43-01492 SAL-12-FKD8-0,05
4		250	4	PVC	24	0,05	43-01493 SAL-12-FKD4-0,05-12
5		60	4	PVC	24	0,05	43-01494 SAL-12-FKD5-0,05-12
8		30	2	PVC	24	0,05	43-01495 SAL-12-FKD8-0,05-12

M12x1 Female socket  
M12x1-thread




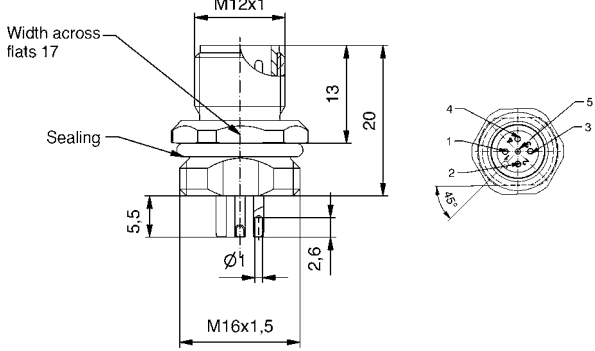

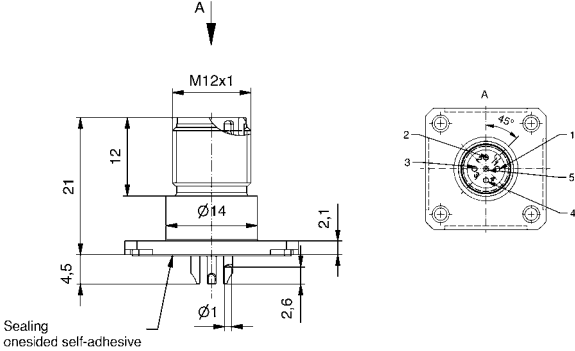

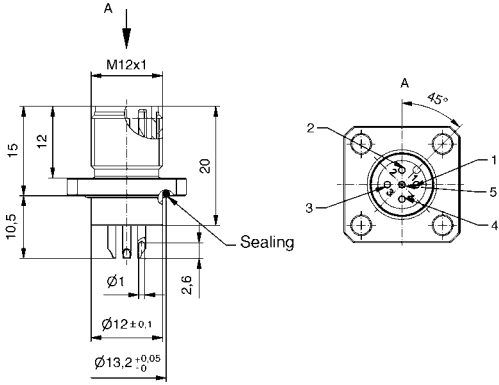
Pin 1   
Pin 2   
Pin 3   
Pin 4 

Pin 1   
Pin 2   
Pin 3   
Pin 4   
Pin 5 

Pin 1   
Pin 2   
Pin 3   
Pin 4   
Pin 5   
Pin 6   
Pin 7   
Pin 8 

## FRONT PANEL MOUNTING

### Solder termination/Solder cup

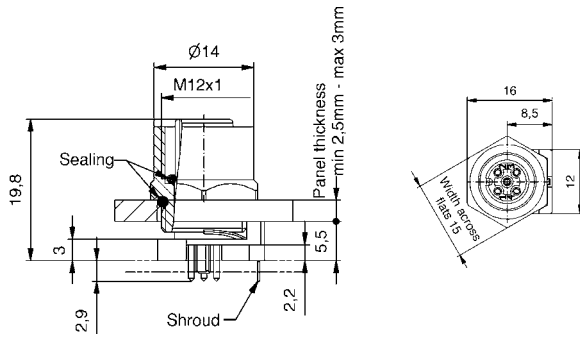
M12x1		Number of poles	Coding	Rated voltage [V]	Current rating [A]	Material wire	Wire Ø [AWG]	Installation height [mm]	Part No. / Description
<p>M12x1 Male socket M16x1,5-thread</p> 		4	A	250	4		5,5	43-02294 SAL-12-FS4-L	
		5	A	60	4		5,5	43-02295 SAL-12-FS5.1-L	
		4	B	250	4		5,5	43-02296 SAL-12B-FS4-L	
<p>M12x1 Square flange M12x1 Male socket Housing size 26 mm</p> 		4	A	250	4		4,5	43-02303 SAL-12-FSV4-L-26	
		5	A	60	4		4,5	43-02304 SAL-12-FSV5-L-26	
		4	B	250	4		4,5	43-02305 SAL-12B-FSV4-L-26	
<p>M12x1 Male socket Housing size 20 mm</p> 		4	A	250	4		10,5	43-02300 SAL-12-FSV04-L-20	
		5	A	60	4		10,5	43-02301 SAL-12-FSV05.1-L-20	
		4	B	250	4		10,5	43-02302 SAL-12B-FSV04-L-20	

# FRONT PANEL MOUNTING

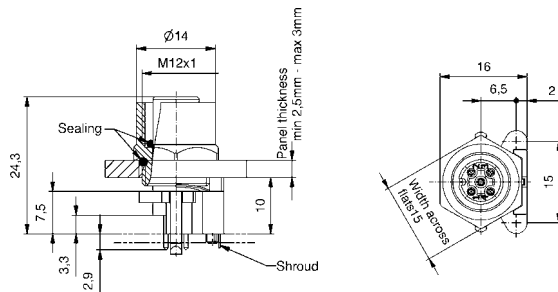
## Dip solder termination

### M12x1 Dip solder termination 2-parts

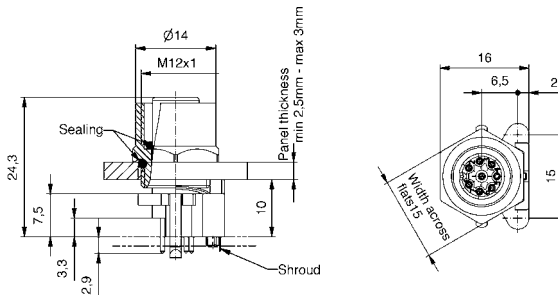
M12x1 Female socket axial  
Installation height 5,5 mm



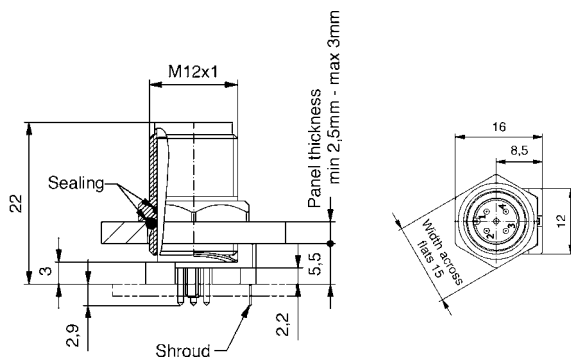
M12x1 Female socket axial  
Installation height 10 mm



M12x1 Female socket axial  
Installation height 10 mm



M12x1 Male socket axial  
Installation height 5,5 mm



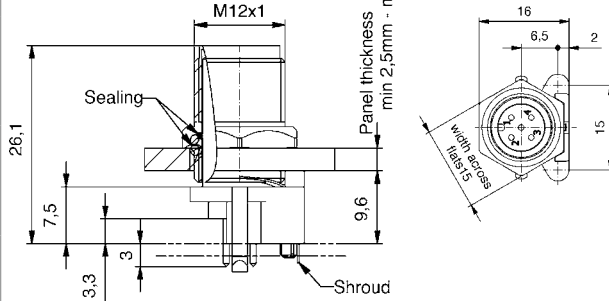
Number of poles	Coding	Rated voltage [V]	Current rating [A]	Material wire	Wire Ø [AWG]	Installation height [mm]	Part No. / Description
4	A	250	4			5,5	43-01178 SAL-12-FK4-X5,5
4	A	250	4			5,5	43-01179 SAL-12S-FK4-X5,5 with shielding
5	A	60	4			5,5	43-01180 SAL-12-FK5-X5,5
5	A	60	4			5,5	43-01181 SAL-12S-FK5-X5,5 with shielding
4	A	250	4			10	43-01162 SAL-12-FK4-X10
4	A	250	4			10	43-01163 SAL-12S-FK4-X10 with shielding
5	A	60	4			10	43-01164 SAL-12-FK5-X10
5	A	60	4			10	43-01165 SAL-12S-FK5-X10 with shielding
8	A	30	2			10	43-01329 SAL-12-FK8-X10
8	A	30	2			10	43-01332 SAL-12S-FK8-X10 with shielding
4	A	250	4			5,5	43-01182 SAL-12-FS4-X5,5
4	A	250	4			5,5	43-01183 SAL-12S-FS4-X5,5 with shielding
5	A	60	4			5,5	43-01184 SAL-12-FS5.1-X5,5
5	A	60	4			5,5	43-01185 SAL-12S-FS5.1-X5,5 with shielding

## FRONT PANEL MOUNTING

### Dip solder termination

#### M12x1 Dip solder termination 2-parts

M12x1 Male socket axial  
Installation height 10 mm



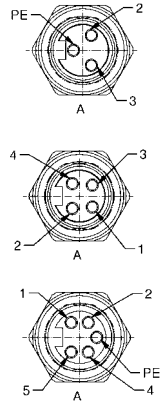
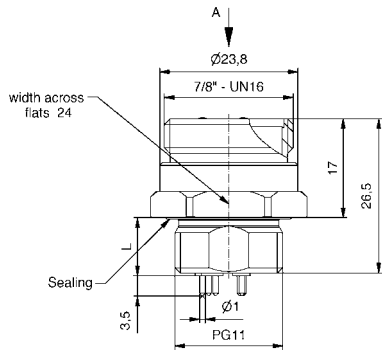
Number of poles	Coding	Rated voltage [V]	Current rating [A]	Material wire	Wire Ø [AWG]	Installation height [mm]	Part No. / Description
4	A	250	4			10	43-01166 SAL-12-FS4-X10
4	A	250	4			10	43-01167 SAL-12S-FS4-X10 with shielding
5	A	60	4			10	43-01168 SAL-12-FS5.1-X10
5	A	60	4			10	43-01169 SAL-12S-FS5.1-X10 with shielding
<b>M12x1 Dip solder termination 2-parts, angled</b>							
M12x1 Female socket angled							
4	A	250	4				43-01200 SAL-12-FKW4
4	A	250	4				43-01201 SAL-12S-FKW4 with shielding
5	A	60	4				43-01202 SAL-12-FKW5
5	A	60	4				43-01203 SAL-12S-FKW5 with shielding
M12x1 Male socket angled							
4	A	250	4				43-01208 SAL-12-FSW4
4	A	250	4				43-01209 SAL-12S-FSW4 with shielding
5	A	60	4				43-01210 SAL-12-FSW5.1
5	A	60	4				43-01211 SAL-12S-FSW5.1 with shielding

# FRONT PANEL MOUNTING

## Dip solder termination

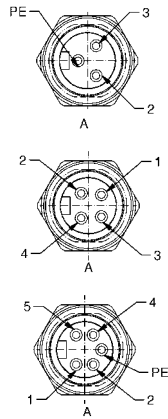
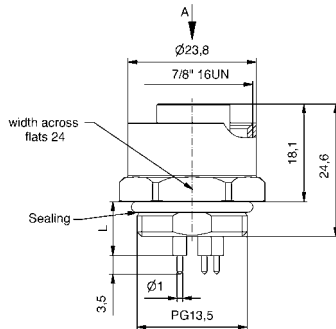
7/8"

Female socket axial  
PG11-thread

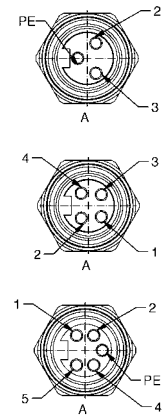
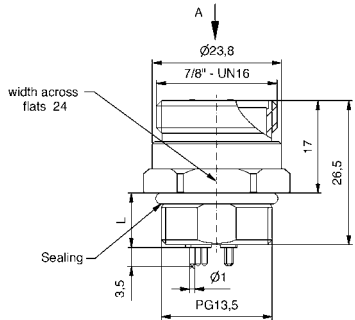


Number of poles	Coding	Rated voltage [V]	Current rating [A]	Material wire	Wire $\varnothing$ [AWG]	Installation height [mm]	Part No. / Description
2+PE		300	12			10	41-40045 SAL-7/8-FK2PE-P10-11
4		300	12			10	41-40046 SAL-7/8-FK4-P10-11
4+PE		300	12			10	41-40047 SAL-7/8-FK4PE-P10-11
2+PE		300	12			10	41-40042 SAL-7/8-FS2PE-P10-11
4		300	12			10	41-40043 SAL-7/8-FS4-P10-11
4+PE		300	12			10	41-40044 SAL-7/8-FS4PE-P10-11
2+PE		300	12			10	41-40021 SAL-7/8-FK2PE-P10
4		300	12			10	41-40022 SAL-7/8-FK4-P10
4+PE		300	12			10	41-40023 SAL-7/8-FK4PE-P10
2+PE		300	12			10	41-40018 SAL-7/8-FS2PE-P10
4		300	12			10	41-40019 SAL-7/8-FS4-P10
4+PE		300	12			10	41-40020 SAL-7/8-FS4PE-P10

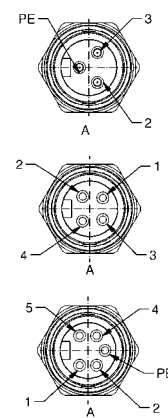
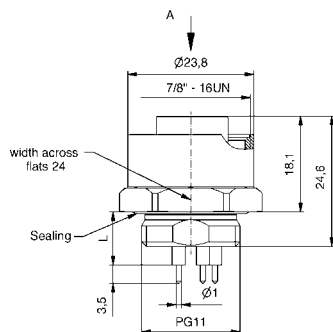
Male socket axial  
PG11-thread



Female socket axial,  
PG13,5-thread




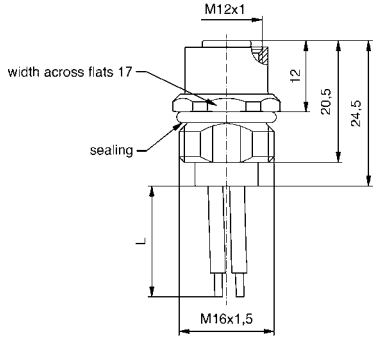
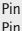
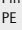
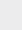
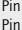

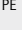
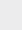

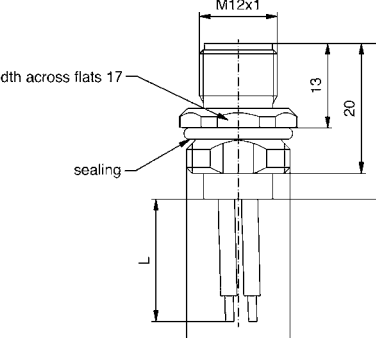

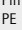
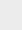
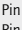

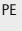
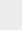

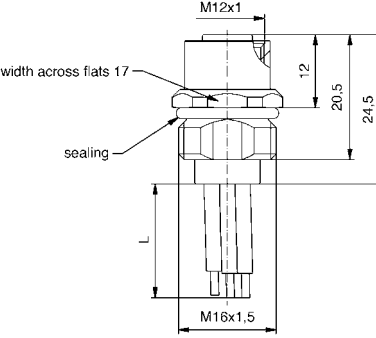


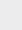
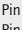


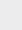

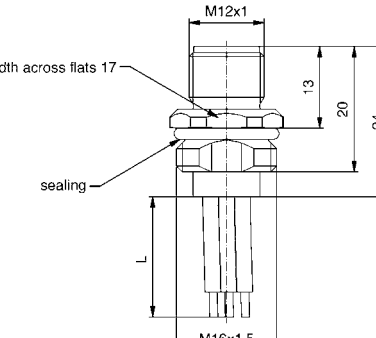
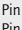

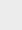



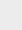
Male socket axial,  
PG13,5-thread





# FRONT PANEL MOUNTING

## Power

M12x1 Wire termination		Contact Assignment	Number of poles	Coding	Rated voltage [V]	Current rating [A]	Material wire	Wire Ø [AWG]	Wire length = L [m]	Part No. / Description
M12x1 Female socket M16x1,5-thread	 	Pin 1  Pin 3  PE 	2+PE	S	630	12	PVC	16	0,5	43-02410 SAL-12SC-FK2PE-0,5
		Pin 1  Pin 2  Pin 3  PE 	3+PE	S	630	12	PVC	16	0,5	43-02392 SAL-12SC-FK3PE-0,5
M12x1 Male socket M16x1,5-thread	 	Pin 1  Pin 3  PE 	2+PE	S	630	12	PVC	16	0,5	43-02411 SAL-12SC-FS2PE-0,5
		Pin 1  Pin 2  Pin 3  PE 	3+PE	S	630	12	PVC	16	0,5	43-02394 SAL-12SC-FS3PE-0,5
M12x1 Female socket M16x1,5-thread	 	Pin 1  Pin 3  Pin 4 	3	T	63	12	PVC	16	0,5	43-02412 SAL-12T-FK3-0,5
		Pin 1  Pin 2  Pin 3  Pin 4 	4	T	63	12	PVC	16	0,5	43-02393 SAL-12T-FK4-0,5
M12x1 Male socket M16x1,5-thread	 	Pin 1  Pin 3  Pin 4 	3	T	63	12	PVC	16	0,5	43-02413 SAL-12T-FS3-0,5
		Pin 1  Pin 2  Pin 3  Pin 4 	4	T	63	12	PVC	16	0,5	43-02395 SAL-12T-FS4-0,5

# FRONT PANEL MOUNTING

## Food & Beverage

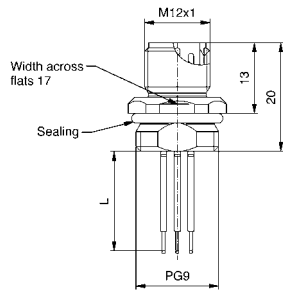
M8x1 Wire termination		Contact Assignment	Number of poles	Coding	Rated voltage [V]	Current rating [A]	Material wire	Wire Ø [AWG]	Wire length = L [m]	Part No. / Description
M8x1 Female socket M8x0,5-thread		Pin 1 Pin 3 Pin 4	3	60	3	PVC	24	0,2	42-01018 SAL-FB-8-FK3-0,2	
		Pin 1 Pin 2 Pin 3 Pin 4	4	30	3	PVC	24	0,2	42-01019 SAL-FB-8-FK4-0,2	
M12x1 Wire termination M12x1 Female socket M16x1,5-thread		Pin 1 Pin 2 Pin 3 Pin 4	4	A	250	4	PVC	24	0,5	43-01018 SAL-FB-12-FK4-0,5
		Pin 1 Pin 2 Pin 3 Pin 4 Pin 5	5	A	60	4	PVC	24	0,5	43-01047 SAL-FB-12-FK5.1-0,5
		Pin 1 Pin 2 Pin 3 Pin 4 Pin 5	5	A	60	4	PVC	24	0,5	43-01019 SAL-FB-12-FK5-0,5
M12x1 Male socket M16x1,5-thread		Pin 1 Pin 2 Pin 3 Pin 4	4	A	250	4	PVC	24	0,5	43-01020 SAL-FB-12-FS4-0,5
		Pin 1 Pin 2 Pin 3 Pin 4 Pin 5	5	A	60	4	PVC	24	0,5	43-01021 SAL-FB-12-FS5-0,5
		Pin 1 Pin 2 Pin 3 Pin 4 Pin 5	5	A	60	4	PVC	24	0,5	43-01051 SAL-FB-12-FS5.1-0,5
M12x1 Female socket PG9-thread		Pin 1 Pin 2 Pin 3 Pin 4	4	A	250	4	PVC	24	0,5	43-01103 SAL-FB-12-FK4-0,5-9
		Pin 1 Pin 2 Pin 3 Pin 4 Pin 5	5	A	60	4	PVC	24	0,5	43-01105 SAL-FB-12-FK5-0,5-9
		Pin 1 Pin 2 Pin 3 Pin 4 Pin 5	5	A	60	4	PVC	24	0,5	43-01104 SAL-FB-12-FK5.1-0,5

# FRONT PANEL MOUNTING

## Food & Beverage

### M12x1 Wire termination

M12x1 Male socket  
PG9-thread




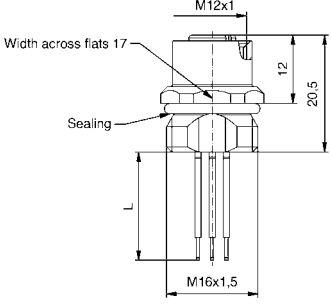
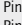
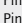

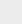
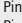
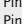
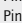
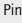
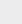
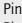
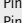
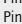
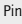
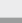

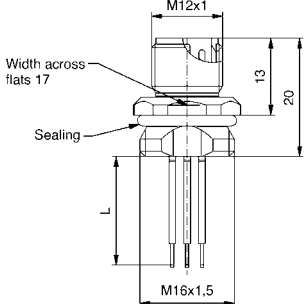
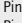
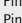
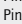
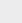
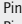
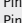
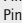
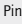
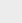
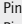
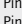
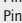
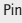
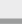
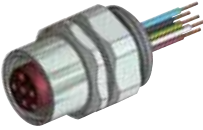
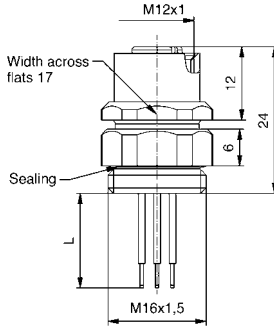
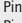
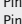
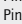
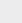
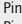
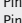
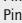
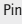
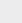
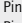
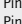
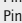
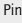
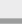

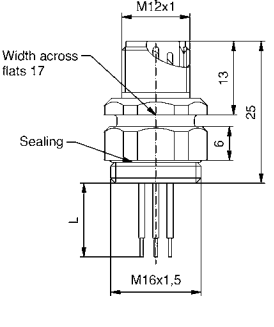
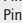
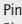
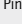
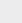
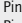
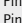
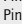
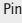
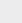
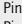
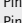
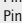
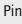
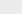
### Contact Assignment

- Pin 1 ■
  - Pin 2 ■
  - Pin 3 ■
  - Pin 4 ■
- 
- Pin 1 ■
  - Pin 2 ■
  - Pin 3 ■
  - Pin 4 ■
  - Pin 5 ■
- 
- Pin 1 ■
  - Pin 2 ■
  - Pin 3 ■
  - Pin 4 ■
  - Pin 5 ■

Number of poles	Coding	Rated voltage [V]	Current rating [A]	Material wire	Wire Ø [AWG]	Wire length = L [m]	Part No. / Description
4	A	250	4	PVC	24	0,5	43-01106 SAL-FB-12-FS4-0,5-9
5	A	60	4	PVC	24	0,5	43-01108 SAL-FB-12-FS5-0,5-9
5	A	60	4	PVC	24	0,5	43-01107 SAL-FB-12-FS5.1-0,5-9


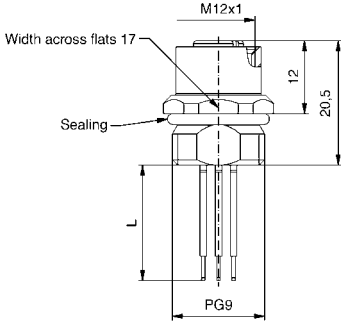
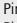
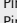
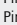
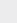
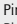
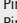
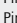
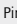
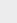
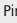
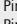
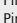
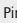
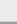

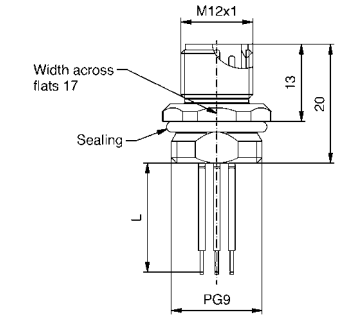
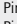
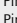
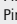
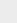
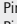
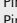
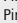
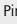
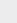
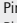
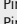
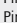
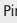
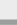

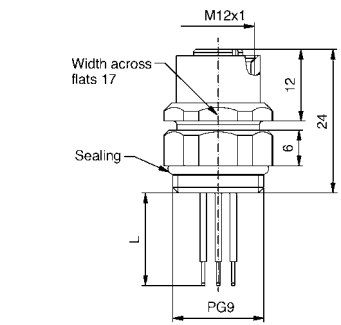
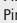
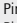
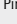
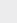
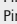
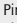
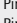
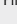
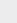
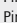
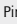
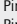
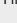


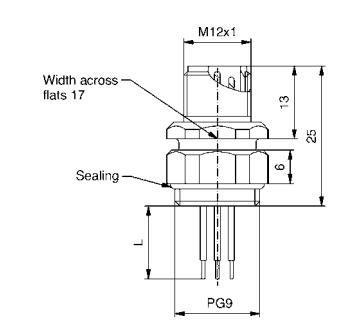
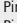
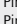
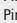
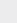
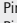
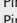
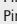
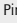
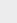
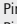
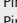
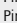
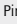
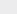
# FRONT PANEL MOUNTING

High Temperature HT 125°C

M12x1 Wire termination		Contact Assignment	Number of poles	Coding	Rated voltage [V]	Current rating [A]	Material wire	Wire Ø [AWG]	Wire length = L [m]	Part No. / Description
		Pin 1  Pin 2  Pin 3  Pin 4 	4	A	250	4	Copolymer	24	0,5	43-01022 SAL-HT-12-FK4-0,5
		Pin 1  Pin 2  Pin 3  Pin 4  Pin 5 	5	A	60	4	Copolymer	24	0,5	43-01023 SAL-HT-12-FK5-0,5
		Pin 1  Pin 2  Pin 3  Pin 4  Pin 5 	5	A	60	4	Copolymer	24	0,5	43-01046 SAL-HT-12-FK5.1-0,5
		Pin 1  Pin 2  Pin 3  Pin 4 	4	A	250	4	Copolymer	24	0,5	43-01024 SAL-HT-12-FS4-0,5
		Pin 1  Pin 2  Pin 3  Pin 4  Pin 5 	5	A	60	4	Copolymer	24	0,5	43-01025 SAL-HT-12-FS5-0,5
		Pin 1  Pin 2  Pin 3  Pin 4  Pin 5 	5	A	60	4	Copolymer	24	0,5	43-01050 SAL-HT-12-FS5.1-0,5
		Pin 1  Pin 2  Pin 3  Pin 4 	4	A	250	4	Copolymer	24	0,5	43-01038 SAL-HT-12-FKP4-0,5
		Pin 1  Pin 2  Pin 3  Pin 4  Pin 5 	5	A	60	4	Copolymer	24	0,5	43-01039 SAL-HT-12-FKP5-0,5
		Pin 1  Pin 2  Pin 3  Pin 4  Pin 5 	5	A	60	4	Copolymer	24	0,5	43-01127 SAL-HT-12-FKP5.1-0,5
		Pin 1  Pin 2  Pin 3  Pin 4 	4	A	250	4	Copolymer	24	0,5	43-01040 SAL-HT-12-FSP4-0,5
		Pin 1  Pin 2  Pin 3  Pin 4  Pin 5 	5	A	60	4	Copolymer	24	0,5	43-01041 SAL-HT-12-FSP5-0,5
		Pin 1  Pin 2  Pin 3  Pin 4  Pin 5 	5	A	60	4	Copolymer	24	0,5	43-01128 SAL-HT-12-FSP5.1-0,5

# FRONT PANEL MOUNTING

High Temperature HT 125°C

M12x1 Wire termination		Contact Assignment	Number of poles	Coding	Rated voltage [V]	Current rating [A]	Material wire	Wire Ø [AWG]	Wire length = L [m]	Part No. / Description
		Pin 1  Pin 2  Pin 3  Pin 4 	4	A	250	4	Copolymer	24	0,5	43-01076 SAL-HT-12-FK4-0,5-9
		Pin 1  Pin 2  Pin 3  Pin 4  Pin 5 	5	A	60	4	Copolymer	24	0,5	43-01078 SAL-HT-12-FK5-0,5-9
		Pin 1  Pin 2  Pin 3  Pin 4  Pin 5 	5	A	60	4	Copolymer	24	0,5	43-01077 SAL-HT-12-FK5.1-0,5-9
		Pin 1  Pin 2  Pin 3  Pin 4 	4	A	250	4	Copolymer	24	0,5	43-01085 SAL-HT-12-FS4-0,5-9
		Pin 1  Pin 2  Pin 3  Pin 4  Pin 5 	5	A	60	4	Copolymer	24	0,5	43-01087 SAL-HT-12-FS5-0,5-9
		Pin 1  Pin 2  Pin 3  Pin 4  Pin 5 	5	A	60	4	Copolymer	24	0,5	43-01086 SAL-HT-12-FS5.1-0,5-9
M12x1 Wire termination positioning possible										
		Pin 1  Pin 2  Pin 3  Pin 4 	4	A	250	4	Copolymer	24	0,5	43-01112 SAL-HT-12-FKP4-0,5-9
		Pin 1  Pin 2  Pin 3  Pin 4  Pin 5 	5	A	60	4	Copolymer	24	0,5	43-01113 SAL-HT-12-FKP5-0,5-9
		Pin 1  Pin 2  Pin 3  Pin 4  Pin 5 	5	A	60	4	Copolymer	24	0,5	43-01135 SAL-HT-12-FKP5.1-0,5-9
		Pin 1  Pin 2  Pin 3  Pin 4 	4	A	250	4	Copolymer	24	0,5	43-01114 SAL-HT-12-FSP4-0,5-9
		Pin 1  Pin 2  Pin 3  Pin 4  Pin 5 	5	A	60	4	Copolymer	24	0,5	43-01115 SAL-HT-12-FSP5-0,5-9
		Pin 1  Pin 2  Pin 3  Pin 4  Pin 5 	5	A	60	4	Copolymer	24	0,5	43-01136 SAL-HT-12-FSP5.1-0,5-9

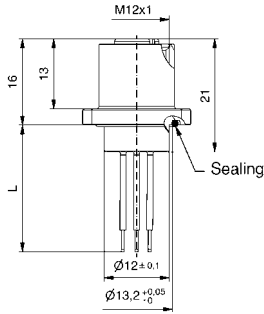
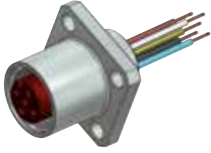
# FRONT PANEL MOUNTING

High Temperature HT 125°C

M12x1 Square flange, wire termination

Contact Assignment

M12x1 Female socket  
Housing size 20 mm

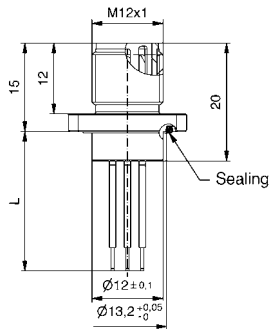


- Pin 1 ■
- Pin 2 ■
- Pin 3 ■
- Pin 4 ■

- Pin 1 ■
- Pin 2 ■
- Pin 3 ■
- Pin 4 ■
- Pin 5 ■

Number of poles	Coding	Rated voltage [V]	Current rating [A]	Material wire	Wire Ø [AWG]	Installation height [mm]	Material wire	Wire length = L [m]	Part No. / Description
4	A	250	4	Copolymer	24			0,5	43-02324 SAL-HT-12-FKVO4-0,5-20
5	A	60	4	Copolymer	24			0,5	43-02325 SAL-HT-12-FKVO5-0,5-20
4	A	250	4	Copolymer	24			0,5	43-02326 SAL-HT-12-FSVO4-0,5-20
5	A	60	4	Copolymer	24			0,5	43-02327 SAL-HT-12-FSVO5-0,5-20
4	A	250	4			5,5			43-02357 SAL-HT-FS4-L
5	A	60	4			5,5			43-02358 SAL-HT-FS5.1-L

M12x1 Male socket  
Housing size 20 mm

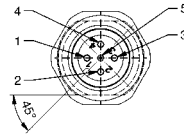
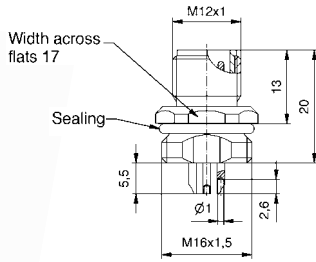


- Pin 1 ■
- Pin 2 ■
- Pin 3 ■
- Pin 4 ■

- Pin 1 ■
- Pin 2 ■
- Pin 3 ■
- Pin 4 ■
- Pin 5 ■

M12x1 with solder cup

M12x1 Male socket  
M16x1,5-thread



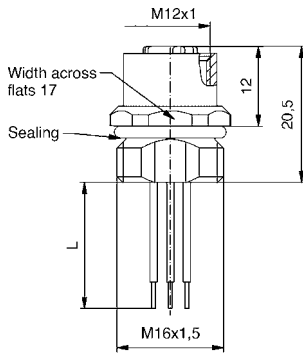
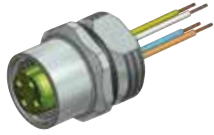
# FRONT PANEL MOUNTING

## Industrial BUS-Systems

M12x1 Industrial Ethernet 100 MHz, D-coding, wire termination

Contact Assignment

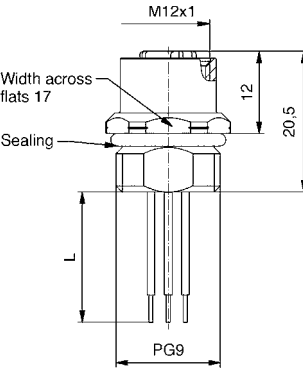
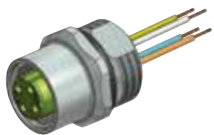
M12x1 Female socket  
M16x1,5-thread



Pin 1 ■  
Pin 2 ■  
Pin 3 ■  
Pin 4 ■

Number of poles	Coding	Rated voltage [V]	Current rating [A]	Material wire	Wire Ø [AWG]	Installation height [mm]	Material wire	Wire length = L [m]	Part No. / Description
4	D	250	4	PVC	22			0,5	43-01044 SAL-12D-FK4.2-0,5

M12x1 Female socket  
PG9-thread

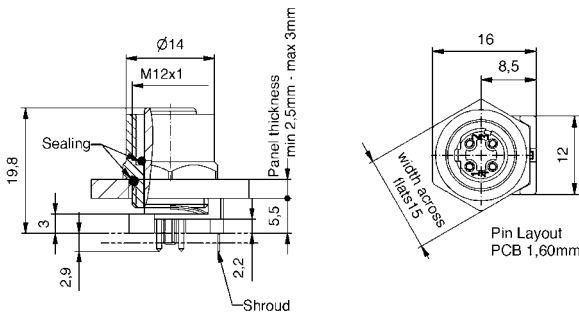


Pin 1 ■  
Pin 2 ■  
Pin 3 ■  
Pin 4 ■

4	D	250	4	PVC	22			0,5	43-01111 SAL-12D-FK4.2-0,5-9
---	---	-----	---	-----	----	--	--	-----	---------------------------------

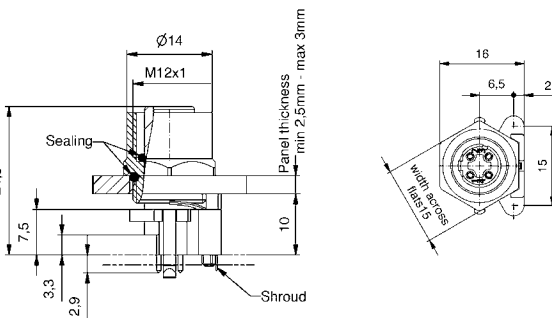
M12x1 Industrial Ethernet 100 MHz, D-coding, Dip solder termination, 2-parts

M12x1 Female socket  
axial  
with shielding



4	D	250	4			5,5			43-01222 SAL-12D-FK4-X5,5
---	---	-----	---	--	--	-----	--	--	------------------------------

M12x1 Female socket  
axial  
with shielding



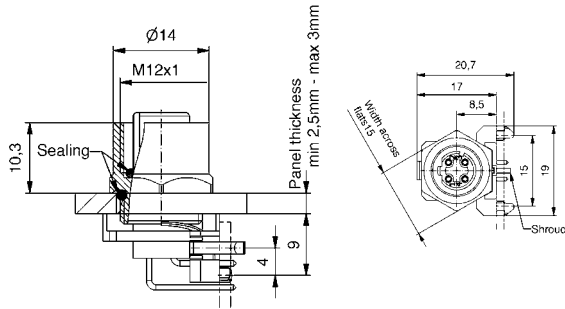
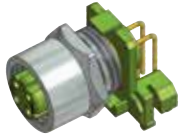
4	D	250	4			10			43-01220 SAL-12D-FK4-X10
---	---	-----	---	--	--	----	--	--	-----------------------------

# FRONT PANEL MOUNTING

## Industrial BUS-Systems

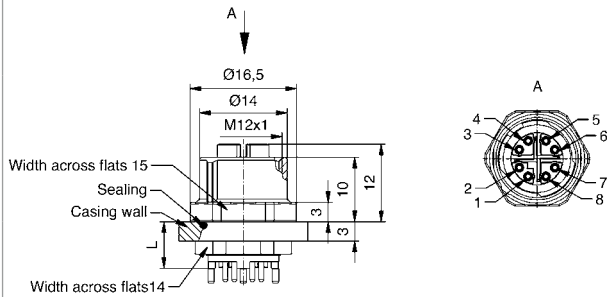
### M12x1 Industrial Ethernet 100 MHz, D-coding, Dip solder termination, 2-parts

M12x1 Female socket angled with shielding



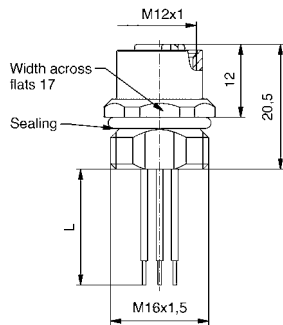
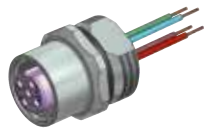
### M12x1 Industrial Ethernet 500 MHz, X-coding, Dip solder termination

M12x1 Female socket 10 GB Ethernet, axial



### M12x1 Profibus DP, B-coding, wire termination

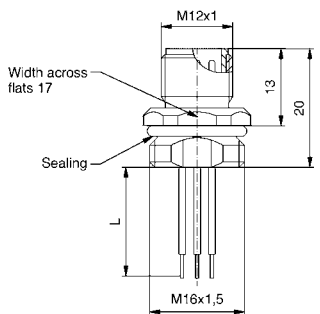
M12x1 Female socket M16x1,5-thread



#### Contact Assignment

- Pin 1 ■
- Pin 2 ■
- Pin 3 ■
- Pin 4 ■

M12x1 Male socket M16x1,5-thread




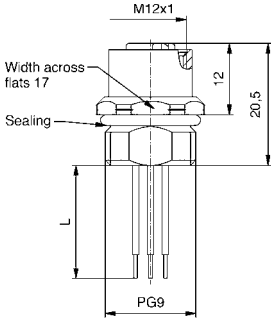

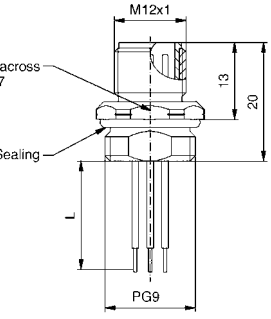

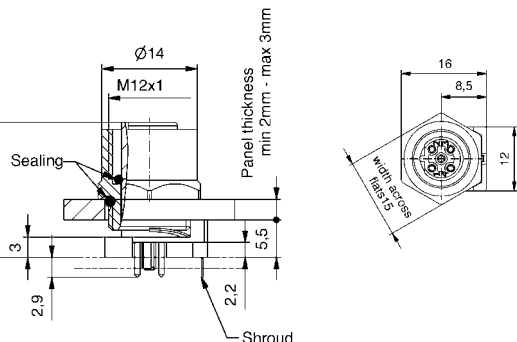

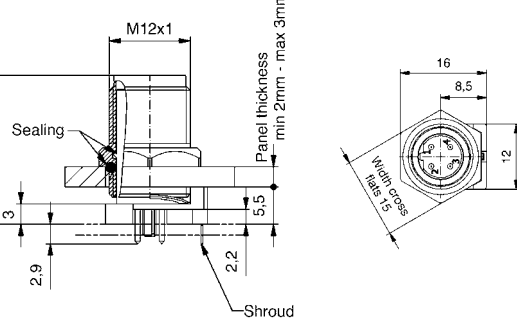
- Pin 1 ■
- Pin 2 ■
- Pin 3 ■
- Pin 4 ■

Number of poles	Coding	Rated voltage [V]	Current rating [A]	Material wire	Wire Ø [AWG]	Installation height [mm]	Material wire	Wire length = L [m]	Part No. / Description
4	D	250	4		7,2				43-01228 SAL-12D-FKW4
8	X	48	0,5		7,2				43-01847 SAL-12X-FK8.8-X7,2/1
4	B	250	4	PVC	22			0,5	43-01042 SAL-12B-FK4.3-0,5
4	B	250	4	PVC	22			0,5	43-01043 SAL-12B-FS4.3-0,5



# FRONT PANEL MOUNTING

## Industrial BUS-Systems

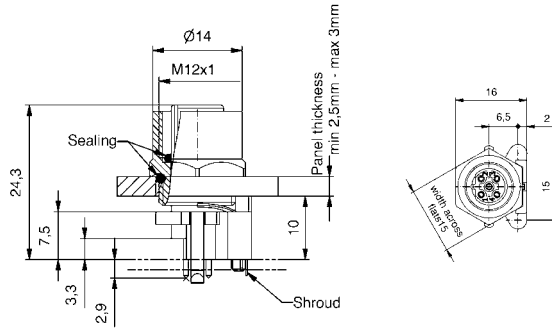
		Number of poles	Coding	Rated voltage [V]	Current rating [A]	Material wire	Wire Ø [AWG]	Installation height [mm]	Material wire	Wire length = L [m]	Part No. / Description
M12x1 Profibus DP, B-coding, wire termination		<i>Contact Assignment</i>									
M12x1 Female socket PG9-thread	 	Pin 1 <span style="color: green;">■</span> Pin 2 <span style="color: blue;">■</span> Pin 3 <span style="color: red;">■</span> Pin 4 <span style="color: brown;">■</span>	4	B	250	4	PVC	22		0,5	43-01109 SAL-12B-FK4.3-0,5-9
M12x1 Male socket PG9-thread	 	Pin 1 <span style="color: green;">■</span> Pin 2 <span style="color: blue;">■</span> Pin 3 <span style="color: red;">■</span> Pin 4 <span style="color: brown;">■</span>	4	B	250	4	PVC	22		0,5	43-01110 SAL-12B-FS4.3-0,5-9
M12x1 Profibus DP, B-coding, Dip solder termination, 2-parts											
M12x1 Female socket axial with shroud Installation height 5,5 mm	 		4	B	250	4	PVC	5,5			43-01216 SAL-12B-FK4-X5,5
M12x1 Male socket axial with shroud Installation height 5,5 mm	 		4	B	250	4	PVC	5,5			43-01218 SAL-12B-FS4-X5,5

# FRONT PANEL MOUNTING

## Industrial BUS-Systems

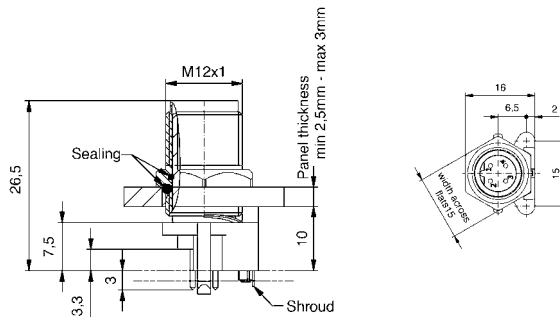
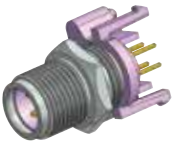
M12x1 Profibus DP, B-coding, Dip solder termination, 2-parts

M12x1 Female socket axial with shielding Installation height 10 mm

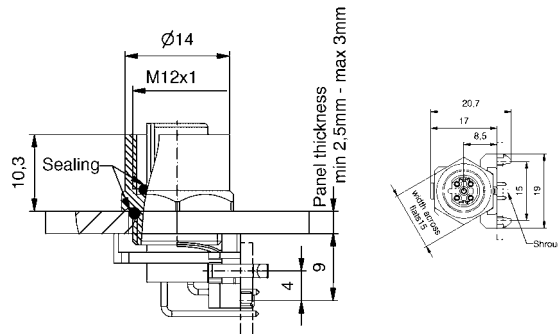
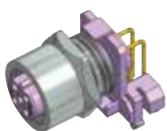


Number of poles	Coding	Rated voltage [V]	Current rating [A]	Material wire	Wire Ø [AWG]	Installation height [mm]	Part No. / Description
4	B	250	4	PVC		10	43-01212 SAL-12B-FK4-X10
4	B	250	4	PVC		10	43-01214 SAL-12B-FS4-X10
4	B	250	4	PVC			43-01224 SAL-12B-FKW4
4	B	250	4	PVC			43-01226 SAL-12B-FSW4

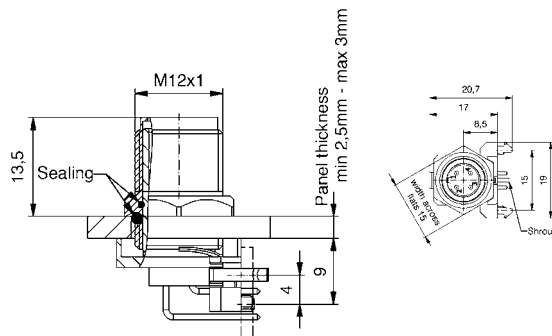
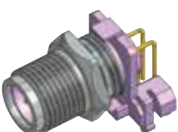
M12x1 Male socket axial with shielding Installation height 10 mm



M12x1 Female socket angled


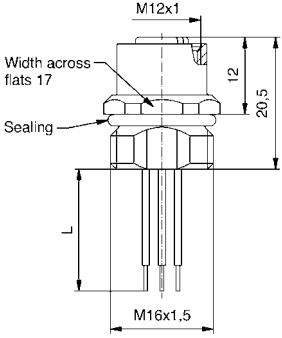

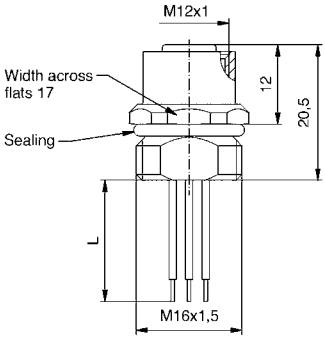

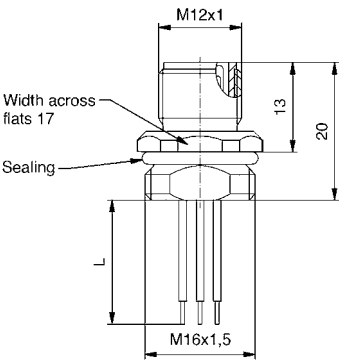


M12x1 Male socket angled




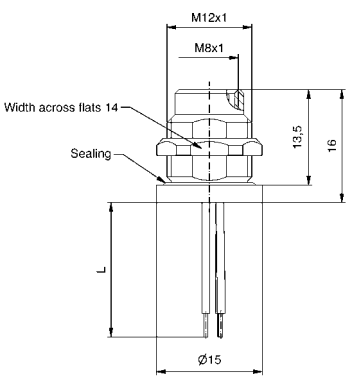





















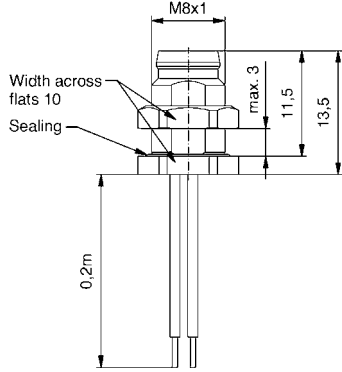













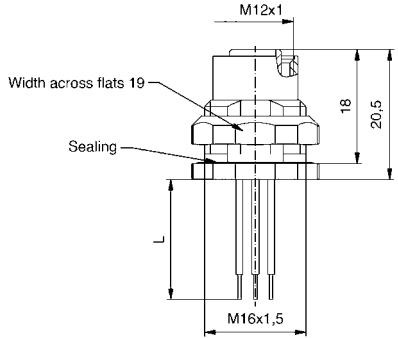























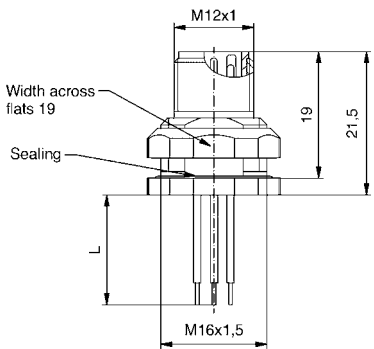






















# FRONT PANEL MOUNTING

## Industrial BUS-Systems

M12x1 DeviceNet, A-coding, wire termination		Contact Assignment	Number of poles	Coding	Rated voltage [V]	Current rating [A]	Material wire	Wire Ø [AWG]	Wire length = L [m]	Part No. / Description
<p>M12x1 Female socket M16x1,5-thread</p>  	<p>Pin 1 <span style="color: green;">■</span> Pin 2 <span style="color: red;">■</span> Pin 3 <span style="color: black;">■</span> Pin 4 <span style="color: white;">■</span> Pin 5 <span style="color: blue;">■</span></p>	5	A	60	4	PVC	22	0,5	43-01367 SAL-DN-12-FK5.3-0,5	
<p>M12x1 CAN-Bus, wire termination</p> <p>M12x1 Female socket M16x1,5-thread</p>  	<p>Pin 1 <span style="color: brown;">■</span> Pin 2 <span style="color: white;">■</span> Pin 3 <span style="color: green;">■</span> Pin 4 <span style="color: yellow;">■</span></p>	4	A	250	4	PVC	24	0,5	43-01703 SAL-CN-12-FK4.41-0,5	
<p>M12x1 Male socket M16x1,5-thread</p>  	<p>Pin 1 <span style="color: brown;">■</span> Pin 2 <span style="color: white;">■</span> Pin 3 <span style="color: green;">■</span> Pin 4 <span style="color: yellow;">■</span></p>	4	A	250	4	PVC	24	0,5	43-01704 SAL-CN-12-FS4.41-0,5	


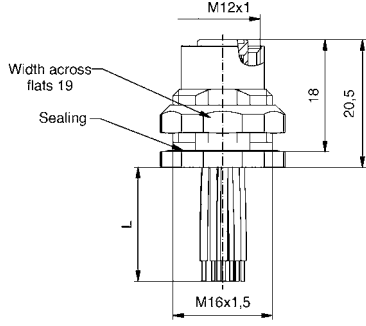













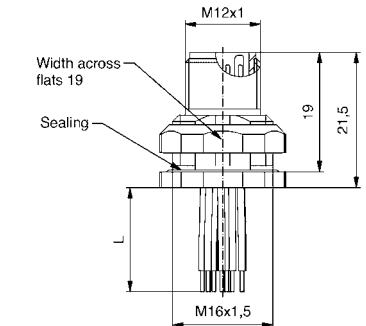













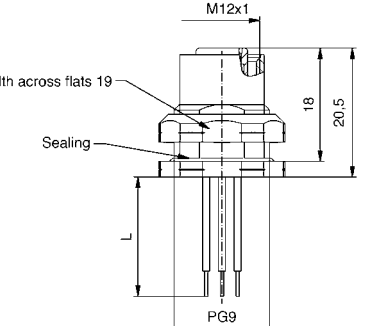








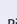














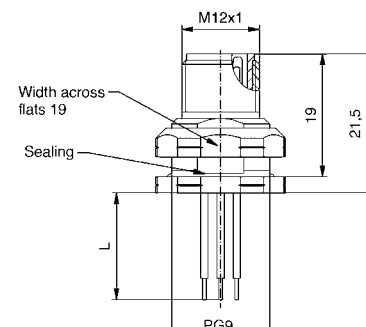








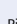













# BACK PANEL MOUNTING

## Wire termination

M8x1		Number of poles	Coding	Rated voltage [V]	Current rating [A]	Material wire	Wire Ø [AWG]	Installation height	Material wire	Wire length = L [m]	Part No. / Description
<b>M8x1 Female socket</b> M12x1-thread  		<b>Contact Assignment</b> Pin 1  Pin 3  Pin 4 		3	A	60	3	PVC	24	0,2	42-01147 SAL-8-FKH3-0,2
		Pin 1  Pin 2  Pin 3  Pin 4 		4	A	30	3	PVC	24	0,2	42-01148 SAL-8-FKH4-0,2
		Pin 1  Pin 2  Pin 3  Pin 4  Pin 5 		5	B	30	3	PVC	24	0,2	42-01149 SAL-8B-FKH5.1-0,2
		Pin 1  Pin 2  Pin 3  Pin 4  Pin 5  Pin 6  Pin 7  Pin 8 		8	A	30	1,5	PVC	26	0,2	42-01150 SAL-8-FKH8-0,2
<b>M8x1 Male socket</b> M8x1-thread  		Pin 1  Pin 3  Pin 4 		3	A	60	3	PVC	24	0,2	42-01034 SAL-8-FSH3-0,2
		Pin 1  Pin 2  Pin 3  Pin 4 		4	A	30	3	PVC	24	0,2	42-01035 SAL-8-FSH4-0,2
		Pin 1  Pin 2  Pin 3  Pin 4  Pin 5 		5	B	30	3	PVC	24	0,2	42-01102 SAL-8B-FSH5.1-0,2
<b>M12x1 Female socket</b> M16x1,5-thread  		Pin 1  Pin 2  Pin 3  Pin 4 		4	A	250	4	PVC	24	0,5	43-01003 SAL-12-FKH4-0,5
		Pin 1  Pin 2  Pin 3  Pin 4  Pin 5 		5	A	60	4	PVC	24	0,5	43-01004 SAL-12-FKH5-0,5
		Pin 1  Pin 2  Pin 3  Pin 4  Pin 5 		5	A	60	2	PVC	24	0,5	43-01048 SAL-12-FKH5.1-0,5
		Pin 1  Pin 2  Pin 3  Pin 4  Pin 5  Pin 6  Pin 7  Pin 8 		8	A	30	2	PVC	24	0,5	43-01005 SAL-12-FKH8-0,5
<b>M12x1 Male socket</b> M16x1,5-thread  		Pin 1  Pin 2  Pin 3  Pin 4 		4	A	250	4	PVC	24	0,5	43-01012 SAL-12-FSH4-0,5
		Pin 1  Pin 2  Pin 3  Pin 4  Pin 5 		5	A	60	4	PVC	24	0,5	43-01013 SAL-12-FSH5-0,5
		Pin 1  Pin 2  Pin 3  Pin 4  Pin 5 		5	A	60	2	PVC	24	0,5	43-01052 SAL-12-FSH5.1-0,5
		Pin 1  Pin 2  Pin 3  Pin 4  Pin 5  Pin 6  Pin 7  Pin 8 		8	A	30	2	PVC	24	0,5	43-01014 SAL-12-FSH8-0,5


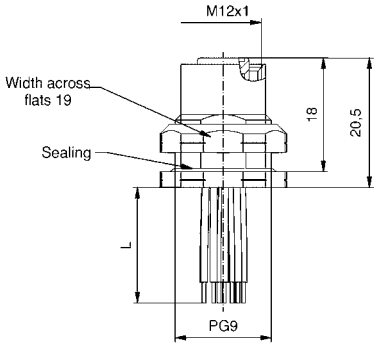













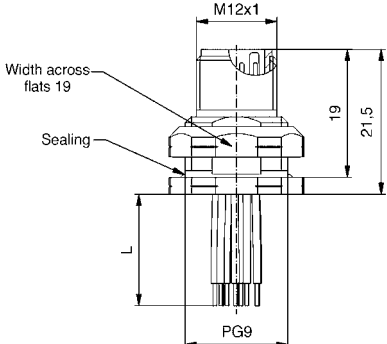



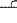

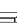


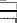




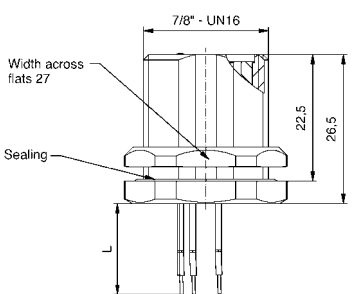




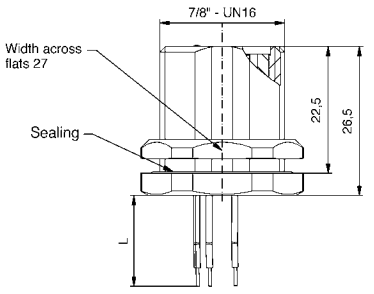
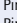


# BACK PANEL MOUNTING

## Wire termination

M12x1		Contact Assignment	Number of poles	Coding	Rated voltage [V]	Current rating [A]	Material wire	Wire Ø [AWG]	Installation height	Material wire	Wire length = L [m]	Part No. / Description
M12x1 Female socket M16x1,5-thread	 	Pin 1  Pin 7  Pin 2  Pin 8  Pin 3  Pin 9  Pin 4  Pin 10  Pin 5  Pin 11  Pin 6  Pin 12 	12	A	30	1,5	PVC	26		0,5	43-01343 SAL-12-FKH12-0,5	
M12x1 Male socket M16x1,5-thread	 	Pin 1  Pin 7  Pin 2  Pin 8  Pin 3  Pin 9  Pin 4  Pin 10  Pin 5  Pin 11  Pin 6  Pin 12 	12	A	30	1,5	PVC	26		0,5	43-01344 SAL-12-FSH12-0,5	
M12x1 Female socket PG9-thread	 	Pin 1  Pin 2  Pin 3  Pin 4  Pin 1  Pin 2  Pin 3  Pin 4  Pin 5  Pin 1  Pin 2  Pin 3  Pin 4  Pin 5  Pin 1  Pin 5  Pin 2  Pin 6  Pin 3  Pin 7  Pin 4  Pin 8 	4	A	250	4	PVC	24		0,5	43-01079 SAL-12-FKH4-0,5-9	
			5	A	60	4	PVC	24		0,5	43-01081 SAL-12-FKH5-0,5-9	
			5	A	60	4	PVC	24		0,5	43-01080 SAL-12-FKH5.1-0,5-9	
			8	A	30	2	PVC	24		0,5	43-01098 SAL-12-FKH8-0,5-9	
M12x1 Male socket PG9-thread	 	Pin 1  Pin 2  Pin 3  Pin 4  Pin 1  Pin 2  Pin 3  Pin 4  Pin 5  Pin 1  Pin 2  Pin 3  Pin 4  Pin 5  Pin 1  Pin 5  Pin 2  Pin 6  Pin 3  Pin 7  Pin 4  Pin 8 	4	A	250	4	PVC	24		0,5	43-01088 SAL-12-FSH4-0,5-9	
			5	A	60	4	PVC	24		0,5	43-01090 SAL-12-FSH5-0,5-9	
			5	A	60	4	PVC	24		0,5	43-01089 SAL-12-FSH5.1-0,5-9	
			8	A	30	2	PVC	24		0,5	43-01100 SAL-12-FSH8-0,5-9	


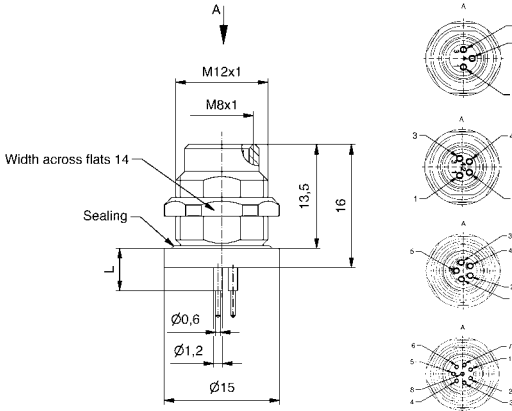

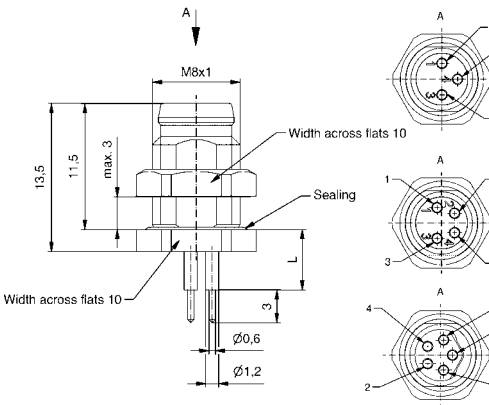

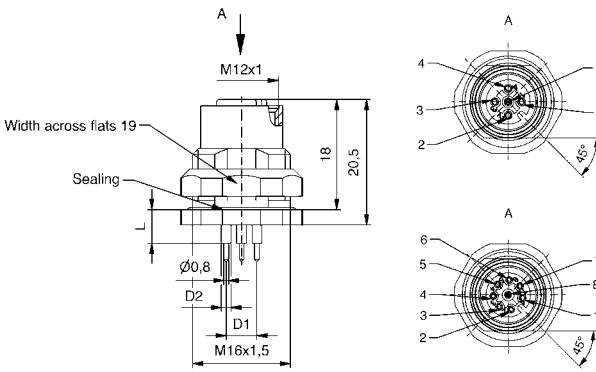

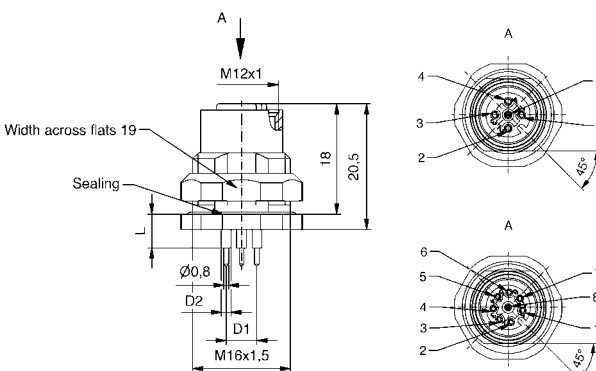
# BACK PANEL MOUNTING

## Wire termination

M12x1		Contact Assignment	Number of poles	Coding	Rated voltage [V]	Current rating [A]	Material wire	Wire Ø [AWG]	Installation height	Material wire	Wire length = L [m]	Part No. / Description
<b>M12x1 Female socket</b> PG9-thread	 	Pin 1  Pin 7  Pin 2  Pin 8  Pin 3  Pin 9  Pin 4  Pin 10  Pin 5  Pin 11  Pin 6  Pin 12 	12	A	30	1,5	PVC	26		0,5	43-01349 SAL-12-FKH12-0,5-9	
			<b>M12x1 Male socket</b> PG9-thread	 	Pin 1  Pin 7  Pin 2  Pin 8  Pin 3  Pin 9  Pin 4  Pin 10  Pin 5  Pin 11  Pin 6  Pin 12 	12	A	30	1,5	PVC	26	
<b>7/8"</b>												
<b>7/8" Male socket</b> wire Ø 0,75 mm <sup>2</sup>	 	Pin PE  Pin 2  Pin 3 	2+PE		300	8	PVC	18		0,5	41-40003 SAL-7/8-FSH2PE-0,5	
			4		300	8	PVC	18		0,5	41-40004 SAL-7/8-FSH4-0,5	
			4+PE		300	8	PVC	18		0,5	41-40005 SAL-7/8-FSH4PE-0,5	
<b>7/8" Male socket</b> wire Ø 1,5 mm <sup>2</sup>	 	Pin PE  Pin 2  Pin 3 	2+PE		300	12	PVC	16		0,5	41-40012 SAL-7/8-FSH2PE-0,5/150	
			4		300	12	PVC	16		0,5	41-40013 SAL-7/8-FSH4-0,5/150	
			4+PE		300	12	PVC	16		0,5	41-40014 SAL-7/8-FSH4PE-0,5/150	


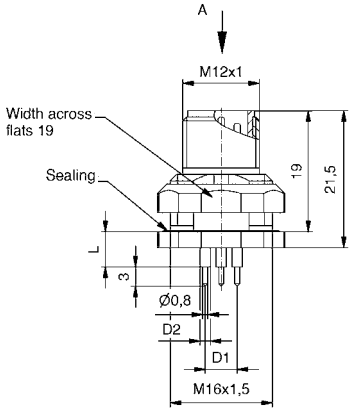

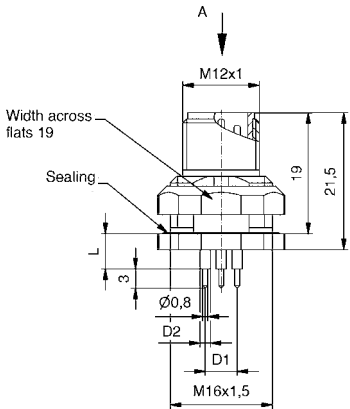

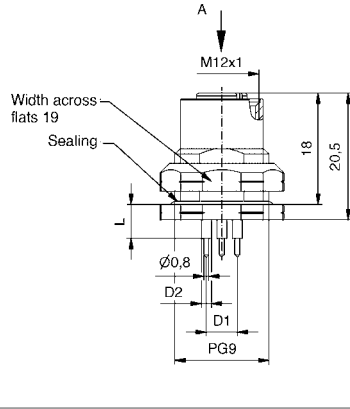

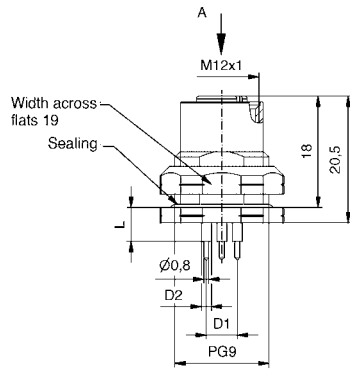
# BACK PANEL MOUNTING

## Dip solder termination

M8x1		Number of poles	Coding	Rated voltage [V]	Current rating [A]	Material wire	Wire Ø [AWG]	Installation height = L [mm]	Material wire	Wire Length [m]	Part No. / Description
<p>M8x1 Female socket M12x1-thread Installation height 5,5 mm</p> 		3	A	60	3		5,5			42-01143 SAL-8-FKH3-P5,5	
		4	A	30	3		5,5			42-01144 SAL-8-FKH4-P5,5	
		5	B	30	3		5,5			42-01145 SAL-8B-FKH5-P5,5	
		8	A	30	1,5		5,5			42-01146 SAL-8-FKH8-P5,5	
<p>M8x1 Male socket M8x1-thread Installation height 5,5 mm</p> 		3	A	60	3		5,5			42-01107 SAL-8-FSH3-P5,5	
		4	A	30	3		5,5			42-01108 SAL-8-FSH4-P5,5	
		5	B	30	3		5,5			42-01114 SAL-8B-FSH5.1-P5,5	
M12x1		4	A	250	4		5,5			43-01026 SAL-12-FKH4-P5,5	
<p>M12x1 Female socket M16x1,5-thread Installation height 5,5 mm</p> 		5	A	60	4		5,5			43-01027 SAL-12-FKH5-P5,5	
		8	A	30	2		5,5			43-01028 SAL-12-FKH8-P5,5	
		M12x1 Female socket M16x1,5-thread Installation height 12 mm 			4	A	250	4		12	
5	A	60	4			12			43-01030 SAL-12-FKH5-P12		
8	A	30	2			12			43-01031 SAL-12-FKH8-P12		

# BACK PANEL MOUNTING


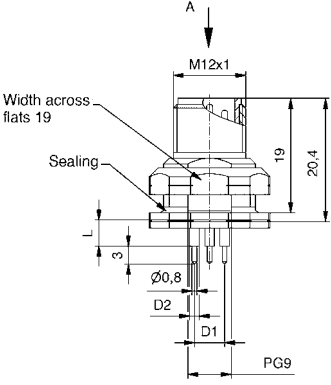

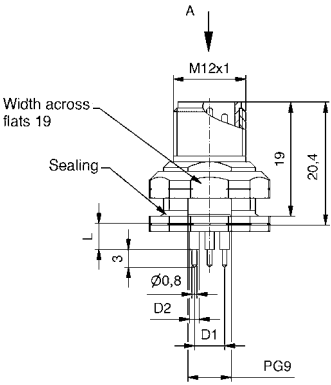

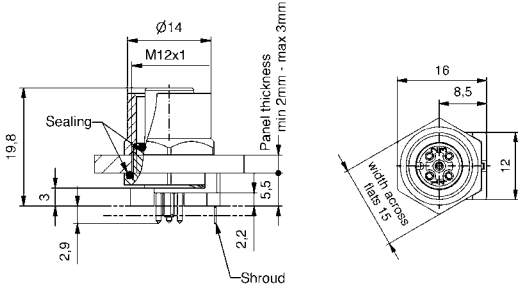

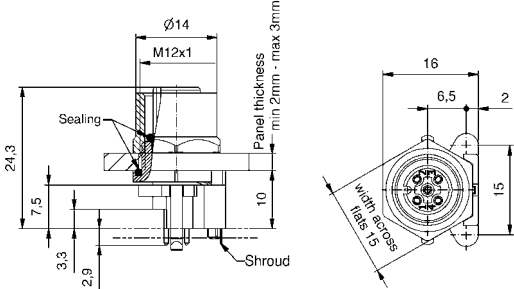
## Dip solder termination

M12x1		Number of poles	Coding	Rated voltage [V]	Current rating [A]	Material wire	Wire Ø [AWG]	Installation height = L [mm]	Material wire	Wire Length [m]	Part No. / Description
M12x1 Male socket M16x1,5-thread Installation height 5,5 mm 		4	A	250	4		5,5			43-01032 SAL-12-FSH4-P5,5	
		5	A	60	4		5,5			43-01033 SAL-12-FSH5-P5,5	
		8	A	30	2		5,5			43-01034 SAL-12-FSH8-P5,5	
M12x1 Male socket M16x1,5-thread Installation height 12 mm 		4	A	250	4		12			43-01035 SAL-12-FSH4-P12	
		5	A	60	4		12			43-01036 SAL-12-FSH5-P12	
		8	A	30	2		12			43-01037 SAL-12-FSH8-P12	
M12x1 Female socket PG9-thread Installation height 5,5 mm 		4	A	250	4		5,5			43-01059 SAL-12-FKH4-P5,5-9	
		5	a	60	4		5,5			43-01061 SAL-12-FKH5-P5,5-9	
		8	A	30	2		5,5			43-01063 SAL-12-FKH8-P5,5-9	
M12x1 Female socket PG9-thread Installation height 12 mm 		4	A	250	4		12			43-01060 SAL-12-FKH4-P12-9	
		5	A	60	4		12			43-01062 SAL-12-FKH5-P12-9	
		8	A	30	2		12			43-01064 SAL-12-FKH8-P12-9	



# BACK PANEL MOUNTING

## Dip solder termination

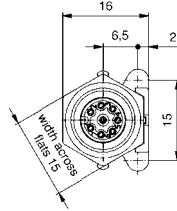
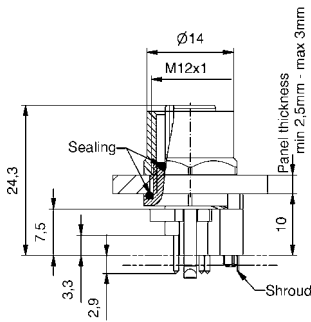
M12x1		Number of poles	Coding	Rated voltage [V]	Current rating [A]	Material wire	Wire Ø [AWG]	Installation height = L [mm]	Material wire	Wire Length [m]	Part No. / Description
M12x1 Male socket PG9-thread Installation height 5,5 mm 		4	A	250	4		5,5			43-01065 SAL-12-FSH4-P5,5-9	
		5	A	60	4		5,5			43-01069 SAL-12-FSH5-P5,5-9	
		8	A	30	2		5,5			43-01071 SAL-12-FSH8-P5,5-9	
M12x1 Male socket PG9-thread Installation height 12 mm 		4	A	250	4		12			43-01066 SAL-12-FSH4-P12-9	
		5	A	60	4		12			43-01070 SAL-12-FSH5-P12-9	
		8	A	30	2		12			43-01072 SAL-12-FSH8-P12-9	
M12x1 Dip solder termination, 2-parts		4	A	250	4		5,5				43-01186 SAL-12-FKH4-X5,5
M12x1 Female socket axial Installation height 5,5 mm 		4	A	250	4		5,5			43-01187 SAL-12S-FKH4-X5,5 with shielding	
		5	A	60	4		5,5			43-01188 SAL-12-FKH5-X5,5	
		5	A	60	4		5,5			43-01189 SAL-12S-FKH5-X5,5 with shielding	
		4	A	250	4		10			43-01170 SAL-12-FKH4-X10	
M12x1 Female socket axial Installation height 10 mm 		4	A	250	4		10			43-01171 SAL-12S-FKH4-X10 with shielding	
		5	A	60	4		10			43-01172 SAL-12-FKH5-X10	
		5	A	60	4		10			43-01173 SAL-12S-FKH5-X10 with shielding	

## BACK PANEL MOUNTING

### Dip solder termination

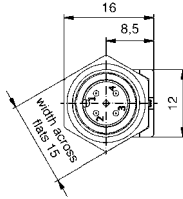
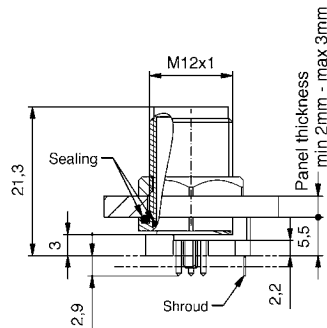
#### M12x1 Dip solder termination, 2-parts

M12x1 Female socket axial  
Installation height 10 mm

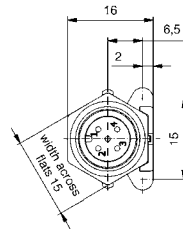
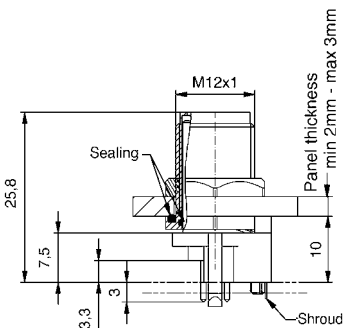


Number of poles	Coding	Rated voltage [V]	Current rating [A]	Material wire	Wire Ø [AWG]	Installation height [mm]	Material wire	Wire Length [m]	Part No. / Description
8	A	30	2			10			43-01334 SAL-12-FKH8-X10
8	A	30	2			10			43-01335 SAL-12S-FKH8-X10 with shielding
4	A	250	4			5,5			43-01190 SAL-12-FSH4-X5,5
4	A	250	4			5,5			43-01191 SAL-12S-FSH4-X5,5 with shielding
5	A	60	4			5,5			43-01192 SAL-12-FSH5.1-X5,5
5	A	60	4			5,5			43-01193 SAL-12S-FSH5.1-X5,5 with shielding
4	A	250	4			10			43-01174 SAL-12-FSH4-X10
4	A	250	4			10			43-01175 SAL-12S-FSH4-X10 with shielding
5	A	60	4			10			43-01176 SAL-12-FSH5.1-X10
5	A	60	4			10			43-01177 SAL-12S-FSH5.1-X10 with shielding
2+PE		300	12			10			41-40048 SAL-7/8-FSH2PE-X10
4		300	12			10			41-40049 SAL-7/8-FSH2PE-X10
4+PE		300	12			10			41-40050 SAL-7/8-FSH4PE-X10

M12x1 Male socket axial  
Installation height 5,5 mm

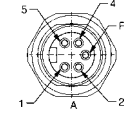
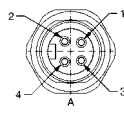
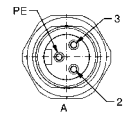
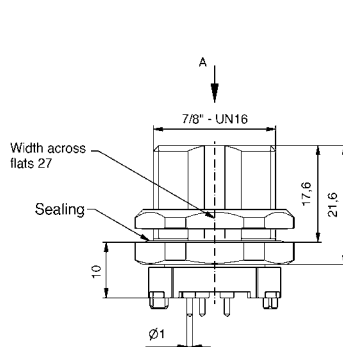


M12x1 Male socket axial  
Installation height 10 mm



#### 7/8" Dip solder termination, 2-parts

7/8" Female socket axial  
Installation height 10 mm

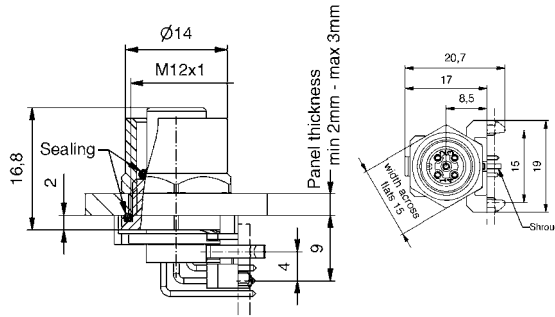


# BACK PANEL MOUNTING

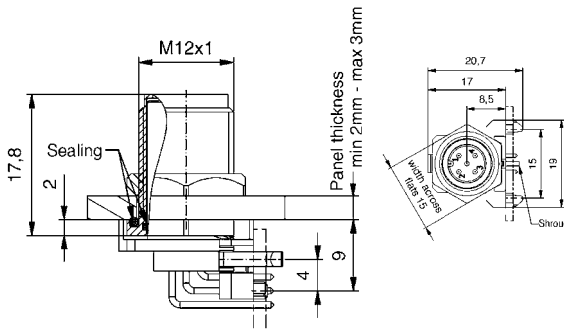
## Dip solder termination

### M12x1 Dip solder termination, angled, 2-parts

M12x1 Female socket angled

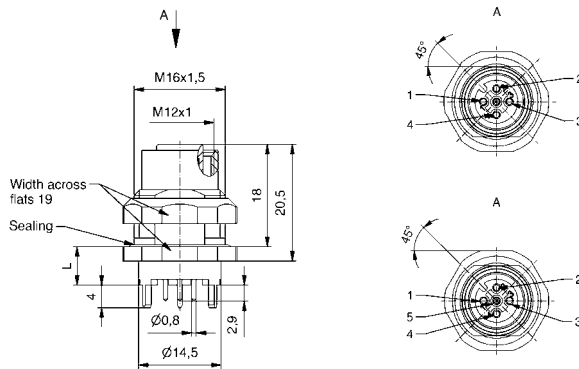


M12x1 Male socket angled

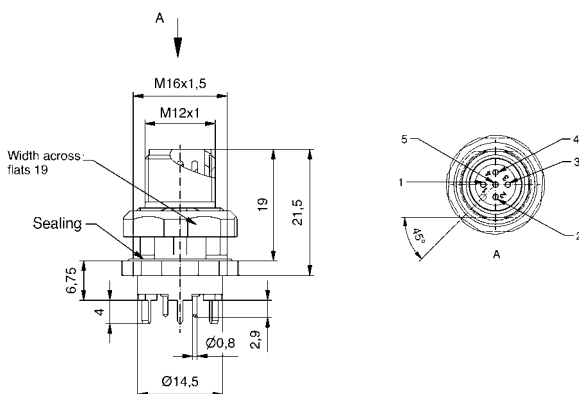


### M12x1 Housing with shielded connection

M12x1 Female socket axial



M12x1 Male socket axial



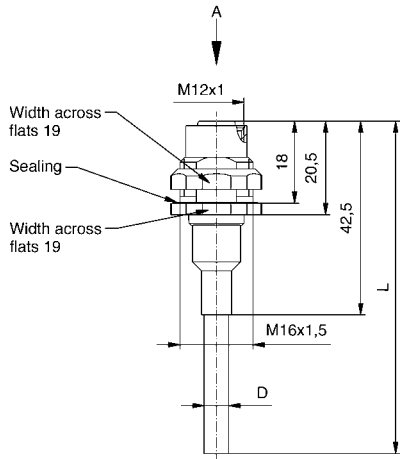
Number of poles	Coding	Rated voltage [V]	Current rating [A]	Material wire	Wire Ø [AWG]	Installation height = L [mm]	Material wire	Wire Length [m]	Part No. / Description
4	A	250	4						43-01196 SAL-12-FKHW4
4	A	250	4						43-01197 SAL-12S-FKHW4 with shielding
5	A	60	4						43-01198 SAL-12-FKHW5
5	A	60	4						43-01199 SAL-12S-FKHW5 with shielding
4	A	250	4						43-01204 SAL-12-FSHW4
4	A	250	4						43-01205 SAL-12S-FSHW4 with shielding
5	A	60	4						43-01206 SAL-12-FSHW5.1
5	A	60	4						43-01207 SAL-12S-FSHW5.1 with shielding
4	A	250	4			6,75			43-01663 SAL-12S-FKH4-P6,75
5	A	60	4			6,75			43-01664 SAL-12S-FKH5-P6,75
8	A	30	2			6,75			43-01665 SAL-12S-FKH8-P6,75
4	A	250	4			6,75			43-02204 SAL-12S-FSH4-P6,75
5	A	60	4			6,75			43-02205 SAL-12S-FSH5.1-P6,75

# BACK PANEL MOUNTING

With cable shielded

M12x1

M12x1 Female socket  
M16x1,5-thread



Contact Assignment

Pin 1   
Pin 2   
Pin 3   
Pin 4 

Pin 1   
Pin 2   
Pin 3   
Pin 4 

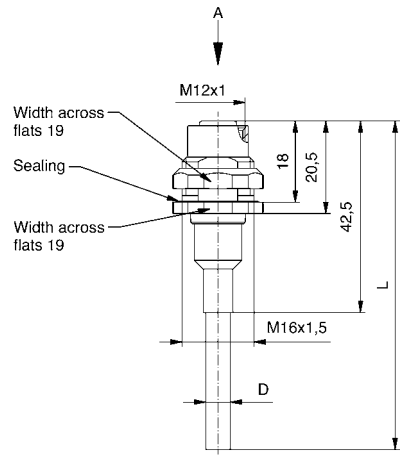
Pin 1   
Pin 2   
Pin 3   
Pin 4 


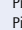



Pin 1   
Pin 2   
Pin 3   
Pin 4 

Pin 1   
Pin 2   
Pin 3   
Pin 4 


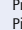



Pin 1   
Pin 2   
Pin 3   
Pin 4 


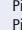



M12x1 Female socket  
M16x1,5-thread


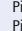






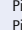
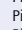


Pin 1   
Pin 2   
Pin 3   
Pin 4   
Pin 5 

Pin 1   
Pin 2   
Pin 3   
Pin 4   
Pin 5 

Pin 1   
Pin 2   
Pin 3   
Pin 4   
Pin 5 

Pin 1   
Pin 2   
Pin 3   
Pin 4   
Pin 5 

Pin 1   
Pin 2   
Pin 3   
Pin 4   
Pin 5 

Pin 1   
Pin 2   
Pin 3   
Pin 4   
Pin 5 

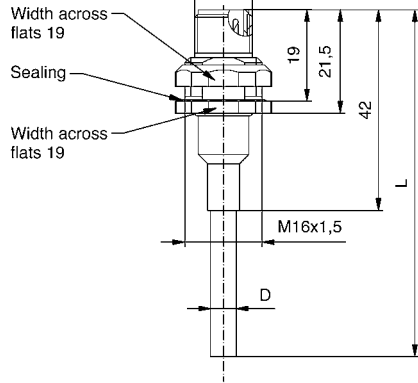
Number of poles	Coding	Rated voltage [V]	Current rating [A]	Material wire	Wire Ø [AWG]	Installation height	Material cable	Cable Length = L [m]	Part No. / Description
4	A	160	4				TPU UL black	0,5	43-02312 SAL-12S-FKH4-0,5/G2
4	A	160	4				TPU UL black	1	43-02365 SAL-12S-FKH4-1/G2
4	A	160	4				TPU UL black	2	43-02366 SAL-12S-FKH4-2/G2
4	A	160	4				PVC UL grey	0,5	43-02313 SAL-12S-FKH4-0,5/G3
4	A	160	4				PVC UL grey	1	43-02367 SAL-12S-FKH4-1/G3
4	A	160	4				PVC UL grey	2	43-02368 SAL-12S-FKH4-2/G3
5	A	60	4				TPU UL black	0,5	43-02314 SAL-12S-FKH5.1-0,5/G2
5	A	60	4				TPU UL black	1	43-02369 SAL-12S-FKH5.1-1/G2
5	A	60	4				TPU UL black	2	43-02370 SAL-12S-FKH5.1-2/G2
5	A	60	4				PVC UL grey	0,5	43-02315 SAL-12S-FKH5.1-0,5/G3
5	A	60	4				PVC UL grey	1	43-02371 SAL-12S-FKH5.1-1/G3
5	A	60	4				PVC UL grey	2	43-02372 SAL-12S-FKH5.1-2/G3

# BACK PANEL MOUNTING

With cable shielded

M12x1

M12x1 Male socket  
M16x1,5-thread



Contact Assignment

- Pin 1 ■
- Pin 2 ■
- Pin 3 ■
- Pin 4 ■

- Pin 1 ■
- Pin 2 ■
- Pin 3 ■
- Pin 4 ■

- Pin 1 ■
- Pin 2 ■
- Pin 3 ■
- Pin 4 ■

- Pin 1 ■
- Pin 2 ■
- Pin 3 ■
- Pin 4 ■

- Pin 1 ■
- Pin 2 ■
- Pin 3 ■
- Pin 4 ■

- Pin 1 ■
- Pin 2 ■
- Pin 3 ■
- Pin 4 ■

Number of poles	Coding	Rated voltage [V]	Current rating [A]	Material wire	Wire Ø [AWG]	Installation height	Material cable	Cable Length = L [m]	Part No. /Description
4	A	160	4				TPU UL black	0,5	43-02308 SAL-12S-FSH4-0,5/G2
4	A	160	4				TPU UL black	1	43-02349 SAL-12S-FSH4-1/G2
4	A	160	4				TPU UL black	2	43-02350 SAL-12S-FSH4-2/G2
4	A	160	4				PVC UL grey	0,5	43-02309 SAL-12S-FSH4-0,5/G3
4	A	160	4				PVC UL grey	1	43-02351 SAL-12S-FSH4-1/G3
4	A	160	4				PVC UL grey	2	43-02352 SAL-12S-FSH4-2/G3
5	A	60	4				TPU UL black	0,5	43-02306 SAL-12S-FSH5.1-0,5/G2
5	A	60	4				TPU UL black	1	43-02353 SAL-12S-FSH5.1-1/G2
5	A	60	4				TPU UL black	2	43-02354 SAL-12S-FSH5.1-2/G2
5	A	60	4				PVC UL grey	0,5	43-02307 SAL-12S-FSH5.1-0,5/G3
5	A	60	4				PVC UL grey	1	43-02355 SAL-12S-FSH5.1-1/G3
5	A	60	4				PVC UL grey	2	43-02356 SAL-12S-FSH5.1-2/G3

- Pin 1 ■
- Pin 2 ■
- Pin 3 ■
- Pin 4 ■
- Pin 5 ■

- Pin 1 ■
- Pin 2 ■
- Pin 3 ■
- Pin 4 ■
- Pin 5 ■

- Pin 1 ■
- Pin 2 ■
- Pin 3 ■
- Pin 4 ■
- Pin 5 ■

- Pin 1 ■
- Pin 2 ■
- Pin 3 ■
- Pin 4 ■
- Pin 5 ■

- Pin 1 ■
- Pin 2 ■
- Pin 3 ■
- Pin 4 ■
- Pin 5 ■

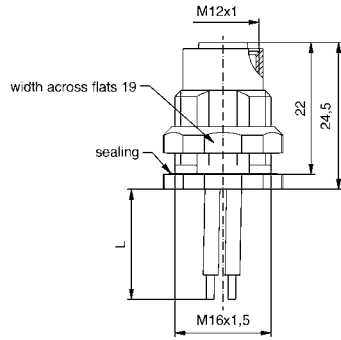
- Pin 1 ■
- Pin 2 ■
- Pin 3 ■
- Pin 4 ■
- Pin 5 ■

# BACK PANEL MOUNTING

## Power

### M12x1 Wire termination

M12x1 Female socket  
M16x1,5-thread



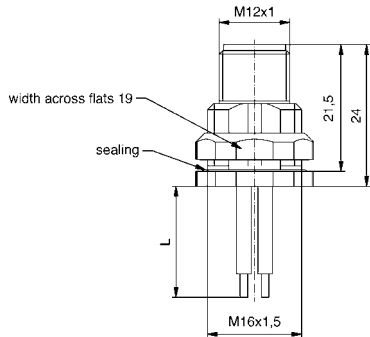
### Contact Assignment

Pin 1   
 Pin 3   
 PE

Pin 1   
 Pin 2   
 Pin 3   
 PE

Number of poles	Coding	Rated voltage [V]	Current rating [A]	Material wire	Wire Ø [AWG]	Wire Length = L [m]	Part No. / Description
2+PE	S	630	12	PVC	15	0,5	43-02414 SAL-12SC-FKH2PE-0,5
3+PE	S	630	12	PVC	15	0,5	43-02396 SAL-12SC-FKH3PE-0,5
2+PE	S	630	12	PVC	15	0,5	43-02415 SAL-12SC-FSH2PE-0,5
3+PE	S	630	12	PVC	15	0,5	43-02398 SAL-12SC-FSH3PE-0,5
3	T	63	12	PVC	15	0,5	43-02416 SAL-12T-FKH3-0,5
4	T	63	12	PVC	15	0,5	43-02397 SAL-12T-FKH4-0,5
3	T	63	12	PVC	15	0,5	43-02417 SAL-12T-FSH3-0,5
4	T	63	12	PVC	15	0,5	43-02399 SAL-12T-FSH4-0,5

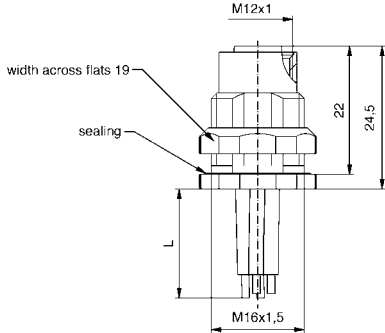
M12x1 Male socket  
M16x1,5-thread



Pin 1   
 Pin 3   
 PE

Pin 1   
 Pin 2   
 Pin 3   
 PE

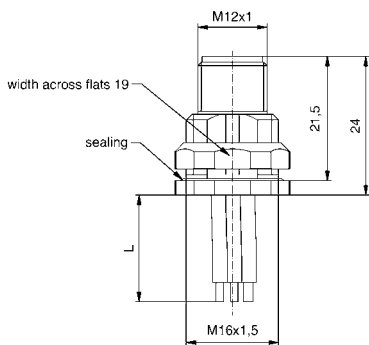
M12x1 Female socket  
M16x1,5-thread



Pin 1   
 Pin 3   
 Pin 4

Pin 1   
 Pin 2   
 Pin 3   
 Pin 4

M12x1 Male socket  
M16x1,5-thread



Pin 1   
 Pin 3   
 Pin 4

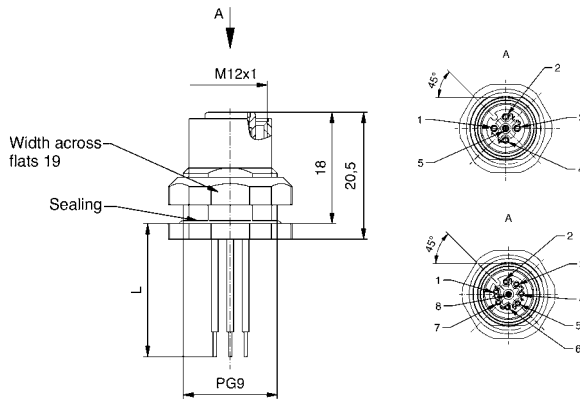
Pin 1   
 Pin 2   
 Pin 3   
 Pin 4

# BACK PANEL MOUNTING

## Food & Beverage

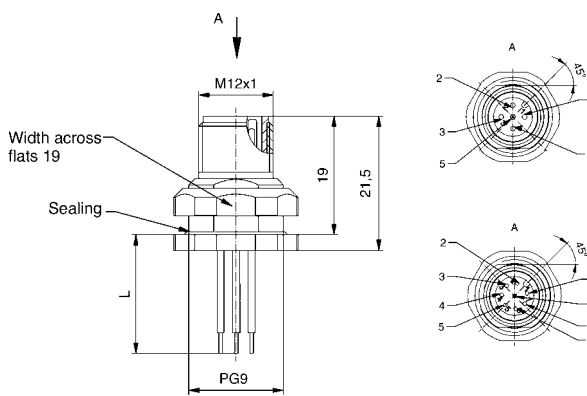
### M12x1 Wire termination

M12x1 Female socket  
PG9-thread



Number of poles	Coding	Rated voltage [V]	Current rating [A]	Material wire	Wire Ø [AWG]	Installation height = L [mm]	Material wire	Wire Length = L [m]	Part No. / Description
4	A	250	4	PVC	24		0,5		43-02328 SAL-FB-12-FKH4-0,5-9
5	A	60	4	PVC	24		0,5		43-02329 SAL-FB-12-FKH5-0,5-9
8	A	30	2	PVC	24		0,5		43-02330 SAL-FB-12-FKH8-0,5-9

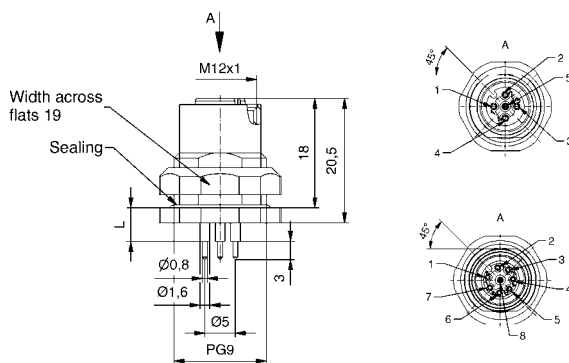
M12x1 Male socket  
PG9-thread



4	A	250	4	PVC	24		0,5		43-02331 SAL-FB-12-FSH4-0,5-9
5	A	60	4	PVC	24		0,5		43-02332 SAL-FB-12-FSH5-0,5-9
8	A	30	2	PVC	24		0,5		43-02333 SAL-FB-12-FSH8-0,5-9

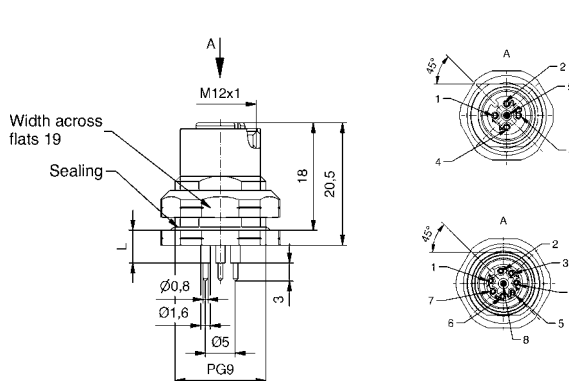
### M12x1 Dip solder termination

M12x1 Female socket  
PG9-thread  
Installation height 5,5 mm



4	A	250	4			5,5			43-01894 SAL-FB-12-FKH4-P5,5-9
5	A	60	4			5,5			43-01896 SAL-FB-12-FKH5-P5,5-9
8	A	30	2			5,5			43-02340 SAL-FB-12-FKH8-P5,5-9

M12x1 Female socket  
PG9-thread  
Installation height 12 mm



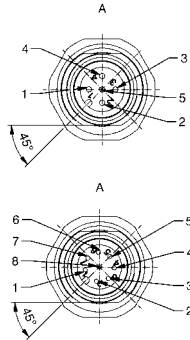
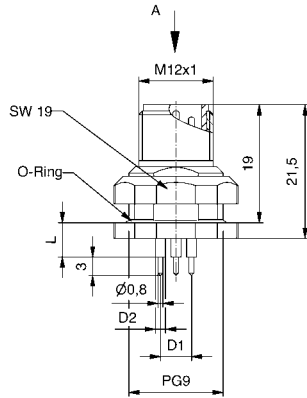
4	A	250	4			12			43-01895 SAL-FB-12-FKH4-P12-9
5	A	60	4			12			43-01897 SAL-FB-12-FKH5-P12-9
8	A	30	2			12			43-02341 SAL-FB-12-FKH8-P12-9

# BACK PANEL MOUNTING

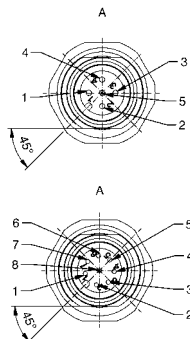
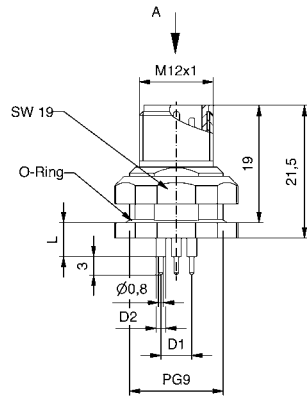
## Food & Beverage

### M12x1 Dip solder termination

M12x1 Male socket  
PG9-thread  
Installation height 5,5 mm



M12x1 Male socket  
PG9-thread  
Installation height 12 mm


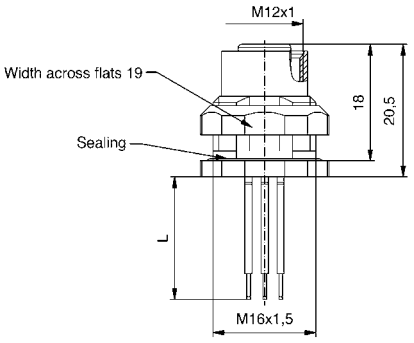





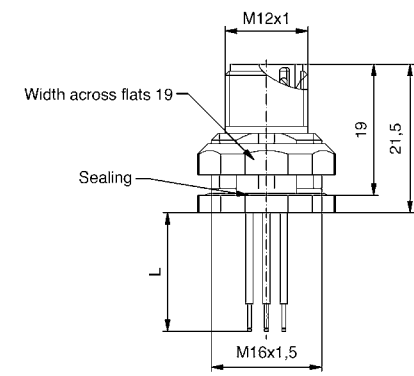





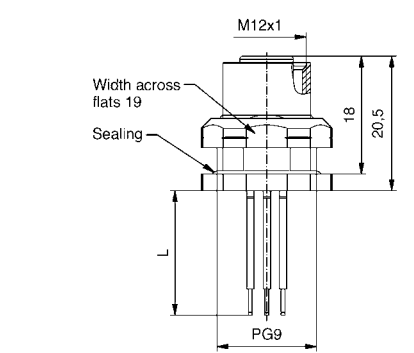





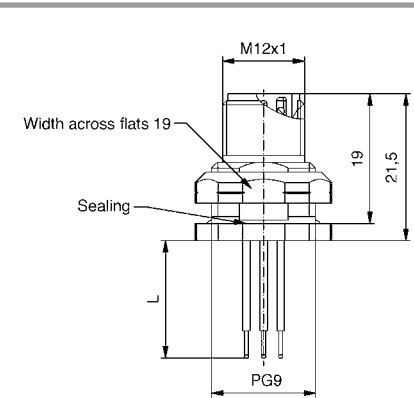






Number of poles	Coding	Rated voltage [V]	Current rating [A]	Material wire	Wire Ø [AWG]	Installation height = L [mm]	Material wire	Wire Length [m]	Part No. / Description
4	A	250	4			5,5			43-02334 SAL-FB-12-FSH4-P5,5-9
5	A	60	4			5,5			43-02335 SAL-FB-12-FSH5-P5,5-9
8	A	30	2			5,5			43-02345 SAL-FB-12-FSH8-P5,5-9
4	A	250	4			12			43-02336 SAL-FB-12-FSH4-P12-9
5	A	60	4			12			43-02337 SAL-FB-12-FSH5-P12-9
8	A	30	2			12			43-02346 SAL-FB-12-FSH8-P12-9



# BACK PANEL MOUNTING

## High Temperature HT 125°C

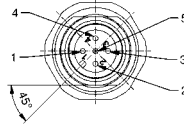
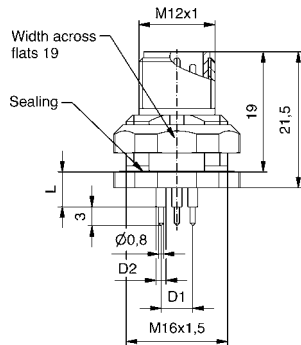
M12x1 Wire termination		Contact Assignment	Number of poles	Coding	Rated voltage [V]	Current rating [A]	Material wire	Wire Ø [AWG]	Installation height	Material wire	Wire Length = L [m]	Part No. / Description
 <p>M12x1 Female socket M16x1,5-thread</p>	 <p>Width across flats 19 Sealing M12x1 18 20,5 L M16x1,5</p>	<p>Pin 1 </p> <p>Pin 2 </p> <p>Pin 3 </p> <p>Pin 4 </p>	4	A	250	4	Copolymer	24		0,5	43-01121 SAL-HT-12-FKH4-0,5	
			5	A	60	4	Copolymer	24		0,5	43-01122 SAL-HT-12-FKH5-0,5	
			5	A	60	4	Copolymer	24		0,5	43-01129 SAL-HT-12-FKH5.1-0,5	
 <p>M12x1 Male socket M16x1,5-thread</p>	 <p>Width across flats 19 Sealing M12x1 19 21,5 L M16x1,5</p>	<p>Pin 1 </p> <p>Pin 2 </p> <p>Pin 3 </p> <p>Pin 4 </p>	4	A	250	4	Copolymer	24		0,5	43-01131 SAL-HT-12-FSH4-0,5	
			5	A	60	4	Copolymer	24		0,5	43-01132 SAL-HT-12-FSH5-0,5	
			5	A	60	4	Copolymer	24		0,5	43-01130 SAL-HT-12-FSH5.1-0,5	
 <p>M12x1 Female socket PG9-thread</p>	 <p>Width across flats 19 Sealing M12x1 18 20,5 L PG9</p>	<p>Pin 1 </p> <p>Pin 2 </p> <p>Pin 3 </p> <p>Pin 4 </p>	4	A	250	4	Copolymer	24		0,5	43-01119 SAL-HT-12-FKH4-0,5-9	
			5	A	60	4	Copolymer	24		0,5	43-01120 SAL-HT-12-FKH5-0,5-9	
			5	A	60	4	Copolymer	24		0,5	43-01137 SAL-HT-12-FKH5.1-0,5-9	
 <p>M12x1 Male socket PG9-thread</p>	 <p>Width across flats 19 Sealing M12x1 19 21,5 L PG9</p>	<p>Pin 1 </p> <p>Pin 2 </p> <p>Pin 3 </p> <p>Pin 4 </p>	4	A	250	4	Copolymer	24		0,5	43-01133 SAL-HT-12-FSH4-0,5-9	
			5	A	60	4	Copolymer	24		0,5	43-01134 SAL-HT-12-FSH5-0,5-9	
			5	A	60	4	Copolymer	24		0,5	43-01138 SAL-HT-12-FSH5.1-0,5-9	

# BACK PANEL MOUNTING

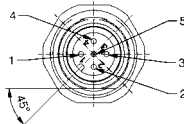
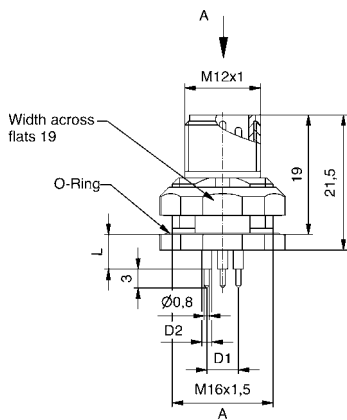
## High Temperature

### M12x1 Dip solder termination

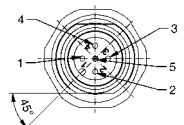
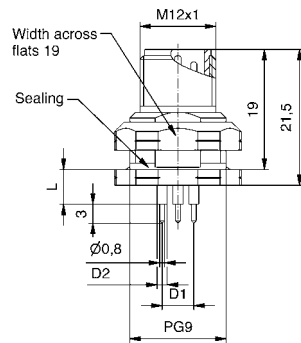
M12x1 Male socket  
M16x1,5-thread  
Installation height 5,5 mm



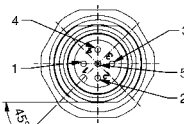
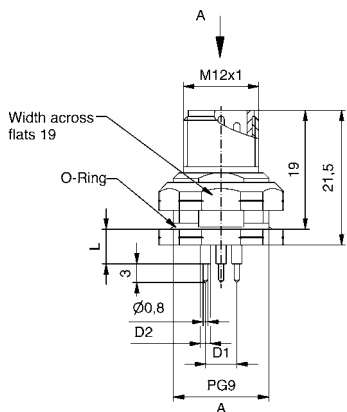
M12x1 Male socket  
M16x1,5-thread  
Installation height 12 mm



M12x1 Male socket  
PG9-thread  
Installation height 5,5 mm



M12x1 Male socket  
PG9-thread  
Installation height 12 mm



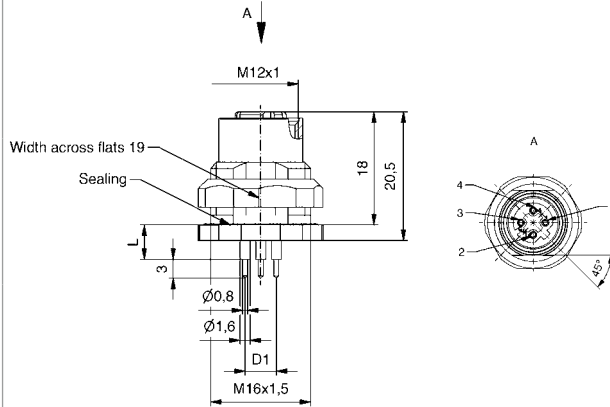
Number of poles	Coding	Rated voltage [V]	Current rating [A]	Material wire	Wire Ø [AWG]	Installation height = L [mm]	Material wire	Wire Length [m]	Part No. / Description
4	A	250	4		5,5				43-02316 SAL-HT-12-FSH4-P5,5
5	A	60	4		5,5				43-02317 SAL-HT-12-FSH5.1-P5,5
4	A	250	4		12				43-02320 SAL-HT-12-FSH4-P12
5	A	60	4		12				43-02321 SAL-HT-12-FSH5.1-P12
4	A	250	4		5,5				43-02318 SAL-HT-12-FSH4-P5,5-9
5	A	60	4		5,5				43-02319 SAL-HT-12-FSH5.1-P5,5-9
4	A	250	4		12				43-02322 SAL-HT-12-FSH4-P12-9
5	A	60	4		12				43-02323 SAL-HT-12-FSH5.1-P12-9

# BACK PANEL MOUNTING

## Industrial BUS-Systems

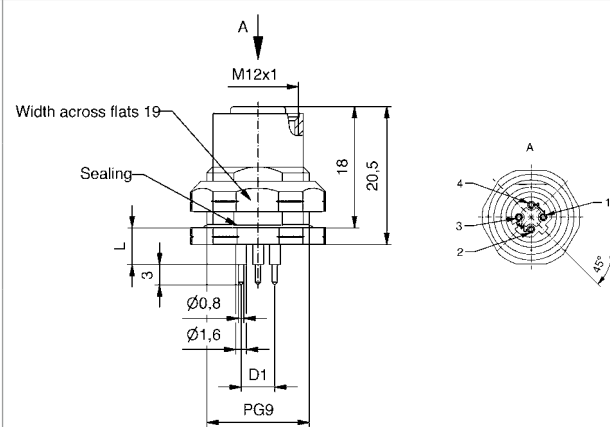
### M12x1 Industrial Ethernet 100 MHz, D-coding, Dip solder termination

M12x1 Female socket  
M16x1,5-thread



Number of poles	Coding	Rated voltage [V]	Current rating [A]	Material wire	Wire Ø [AWG]	Installation height = L [mm]	Material wire	Wire Length [m]	Part No. / Description
4	D	250	4		5,5				43-01157 SAL-12D-FKH4.2-P5,5
4	D	250	4		12				43-01118 SAL-12D-FKH4.2-P12

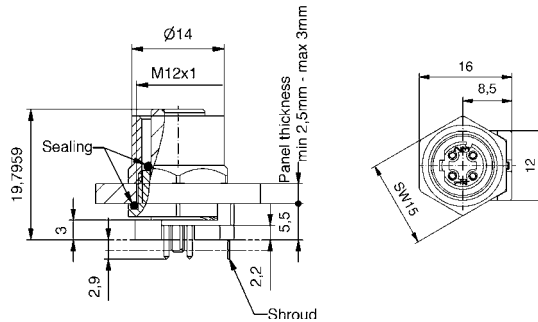
M12x1 Female socket  
PG9-thread



4	D	250	4		5,5				43-01236 SAL-12D-FKH4.2-P5,5-9
4	D	250	4		12				43-01248 SAL-12D-FKH4.2-P12-9

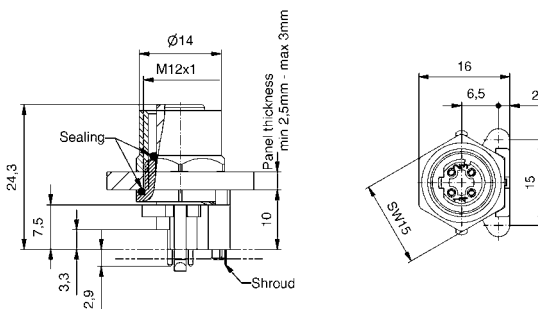
### M12x1 Industrial Ethernet 100 MHz, D-coding, Dip solder termination, 2-parts

M12x1 Female socket  
axial  
with shielding  
M12x1-thread



4	D	250	4		5,5				43-01223 SAL-12D-FKH4-X5,5
---	---	-----	---	--	-----	--	--	--	-------------------------------


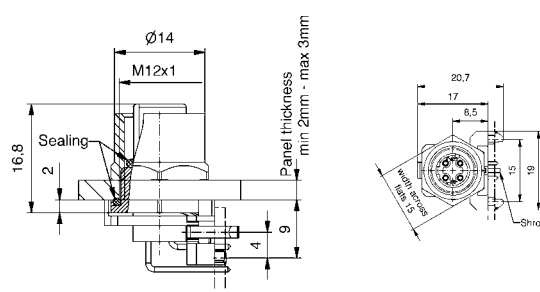

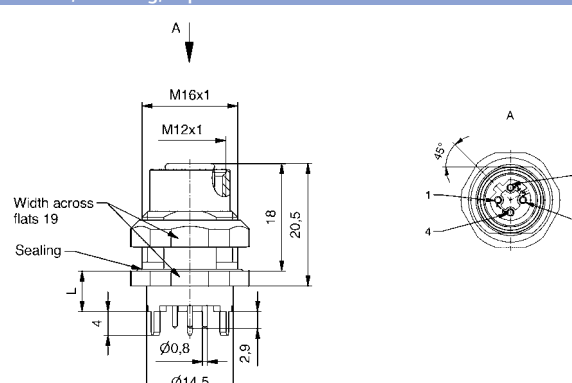

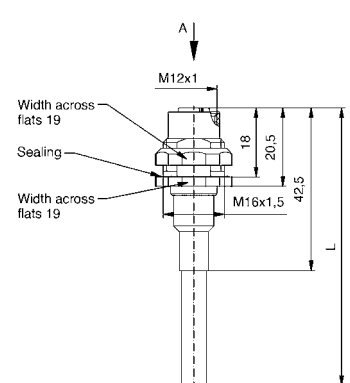

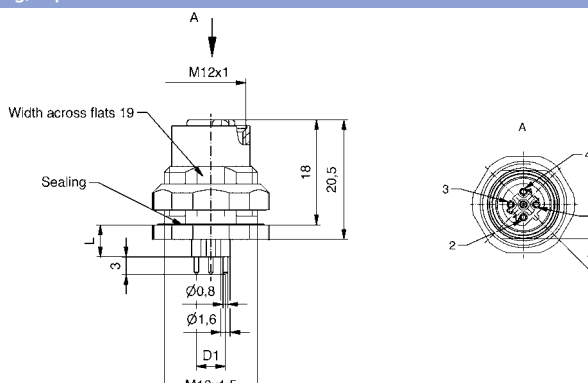
M12x1 Female socket  
axial  
with shielding  
M12x1-thread



4	D	250	4		10				43-01221 SAL-12D-FKH4-X10
---	---	-----	---	--	----	--	--	--	------------------------------

# BACK PANEL MOUNTING

## Industrial BUS-Systems

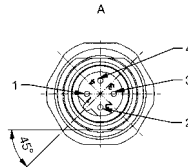
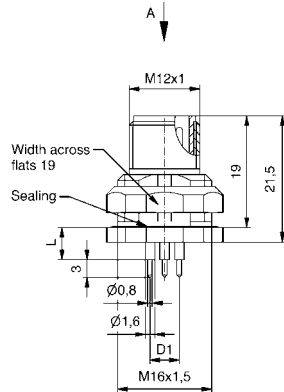
M12x1 Industrial Ethernet 100 MHz, D-coding, Dip solder termination, 2-parts		Number of poles	Coding	Rated voltage [V]	Current rating [A]	Material wire	Wire Ø [AWG]	Installation height = L [mm]	Material cable	Cable Length = L [m]	Part No. / Description
<p>M12x1 Female socket angled with shielding M12x1-thread</p>  	4	D	250	4							43-01229 SAL-12D-FKHW4
<p>M12x1 Industrial Ethernet 100 MHz, D-coding, Dip solder termination</p> <p>M12x1 Female socket axial with shielded connection M16x1,5-thread</p>  	4	D	250	4			6,75				43-01690 SAL-12D-FKH4-P6,75
<p>M12x1 Industrial Ethernet 5100 MHz, D-coding, with cable</p> <p>M12x1 Female socket M16x1,5-thread</p>   <div style="display: flex; flex-direction: column; gap: 10px;"> <div> <p><b>Contact Assignment</b></p> <ul style="list-style-type: none"> <li>Pin 1 <span style="display: inline-block; width: 10px; height: 10px; background-color: yellow; border: 1px solid black;"></span></li> <li>Pin 2 <span style="display: inline-block; width: 10px; height: 10px; background-color: white; border: 1px solid black;"></span></li> <li>Pin 3 <span style="display: inline-block; width: 10px; height: 10px; background-color: orange; border: 1px solid black;"></span></li> <li>Pin 4 <span style="display: inline-block; width: 10px; height: 10px; background-color: blue; border: 1px solid black;"></span></li> </ul> </div> <div> <ul style="list-style-type: none"> <li>Pin 1 <span style="display: inline-block; width: 10px; height: 10px; background-color: yellow; border: 1px solid black;"></span></li> <li>Pin 2 <span style="display: inline-block; width: 10px; height: 10px; background-color: white; border: 1px solid black;"></span></li> <li>Pin 3 <span style="display: inline-block; width: 10px; height: 10px; background-color: orange; border: 1px solid black;"></span></li> <li>Pin 4 <span style="display: inline-block; width: 10px; height: 10px; background-color: blue; border: 1px solid black;"></span></li> </ul> </div> <div> <ul style="list-style-type: none"> <li>Pin 1 <span style="display: inline-block; width: 10px; height: 10px; background-color: yellow; border: 1px solid black;"></span></li> <li>Pin 2 <span style="display: inline-block; width: 10px; height: 10px; background-color: white; border: 1px solid black;"></span></li> <li>Pin 3 <span style="display: inline-block; width: 10px; height: 10px; background-color: orange; border: 1px solid black;"></span></li> <li>Pin 4 <span style="display: inline-block; width: 10px; height: 10px; background-color: blue; border: 1px solid black;"></span></li> </ul> </div> </div>	4	D	160	4				TPU UI green	0,5		43-01660 SAL-12D-FKH4.2-0,5/G6
	4	D	160	4				TPU UI green	1		43-01661 SAL-12D-FKH4.2-1/G6
	4	D	160	4				TPU UI green	2		43-01662 SAL-12D-FKH4.2-2/G6
<p>M12x1 Profibus DP, B-coding, Dip solder termination</p> <p>M12x1 Female socket Profibus DP M16x1,5-thread</p>  	4	B	250	4			5,5				43-01123 SAL-12B-FKH4-P5,5
	4	B	250	4							43-01124 SAL-12B-FKH4-P12

# BACK PANEL MOUNTING

## Industrial BUS-Systems

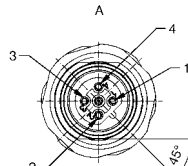
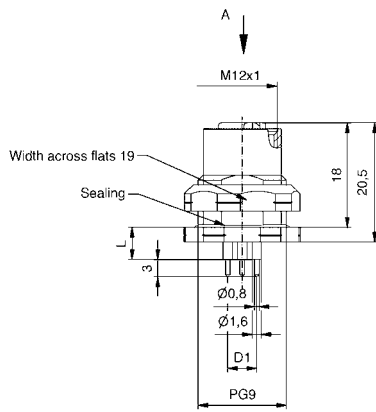
### M12x1 Profibus DP, B-coding, Dip solder termination

M12x1 Male socket  
M16x1,5-thread

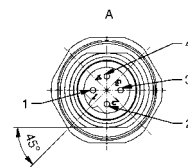
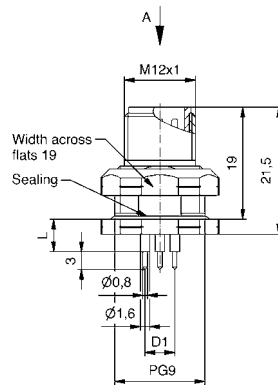


Number of poles	Coding	Rated voltage [V]	Current rating [A]	Material wire	Wire Ø [AWG]	Installation height = L [mm]	Material wire	Wire Length [m]	Part No. / Description
4	B	250	4		5,5				43-01125 SAL-12B-FSH4-P5,5
4	B	250	4		12				43-01126 SAL-12B-FSH4-P12
4	B	250	4		5,5				43-01249 SAL-12B-FKH4-P5,5-9
4	B	250	4		12				43-01250 SAL-12B-FKH4-P12-9
4	B	250	4		5,5				43-01251 SAL-12B-FSH4-P5,5-9
4	B	250	4		12				43-01252 SAL-12B-FSH4-P12-9
4	B	250	4		5,5				43-01217 SAL-12B-FKH4-X5,5

M12x1 Female socket  
PG9-thread

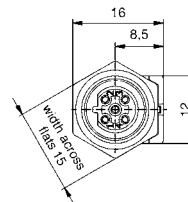
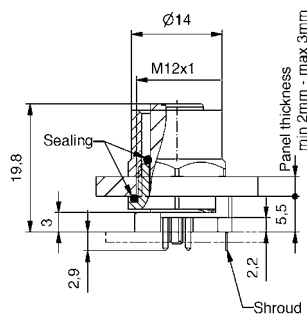


M12x1 Male socket  
PG9-thread



### M12x1 Profibus DP, B-coding, Dip solder termination, 2-parts

M12x1 Female socket  
axial  
with shroud  
M12x1-thread

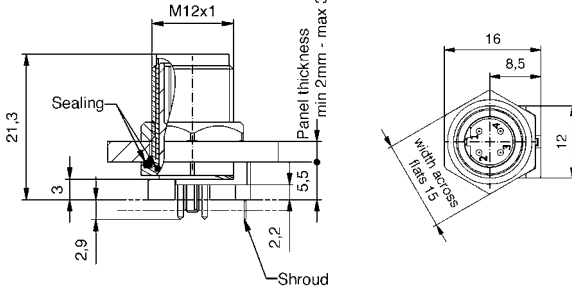


# BACK PANEL MOUNTING

## Industrial BUS-Systems

M12x1 Profibus DP, B-coding, Dip solder termination, 2-parts

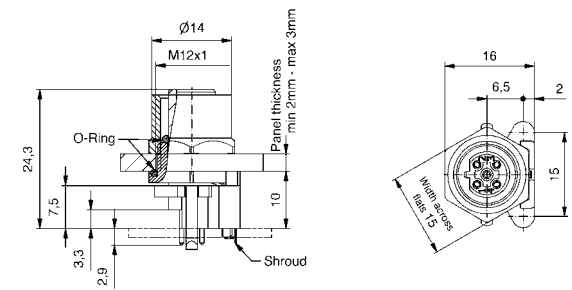
M12x1 Male socket axial with shroud M12x1-thread



Number of poles	Coding	Rated voltage [V]	Current rating [A]	Material wire	Wire Ø [AWG]	Installation height = L [mm]	Material wire	Wire Length [m]	Part No. / Description
-----------------	--------	-------------------	--------------------	---------------	--------------	------------------------------	---------------	-----------------	------------------------

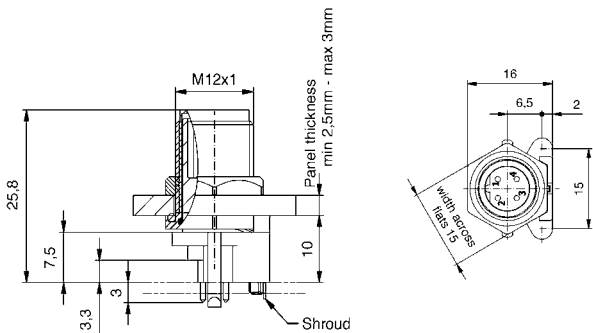
4	B	250	4		5,5				43-01219 SAL-12B-FSH4-X5,5
---	---	-----	---	--	-----	--	--	--	-------------------------------

M12x1 Female socket axial with shroud M12x1-thread



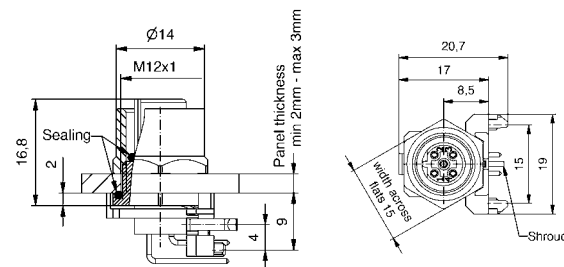
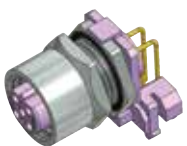
4	B	250	4		10				43-01213 SAL-12B-FKH4-X10
---	---	-----	---	--	----	--	--	--	------------------------------

M12x1 Male socket axial with shroud M12x1-thread



4	B	250	4		10				43-01215 SAL-12B-FSH4-X10
---	---	-----	---	--	----	--	--	--	------------------------------

M12x1 Female socket angled with shielding M12x1-thread



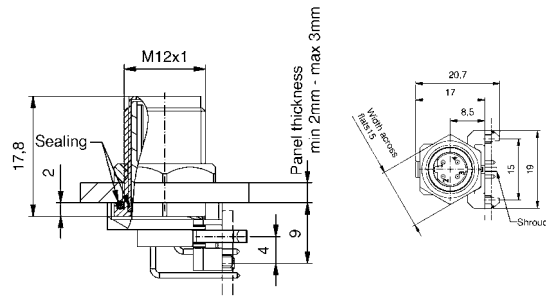
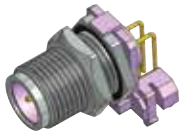
4	B	250	4						43-01225 SAL-12B-FKH4
---	---	-----	---	--	--	--	--	--	--------------------------

# BACK PANEL MOUNTING

## Industrial BUS-Systems

### M12x1 Profibus DP, B-coding, Dip solder termination, 2-parts

M12x1 Male socket angled with shielding M12x1-thread

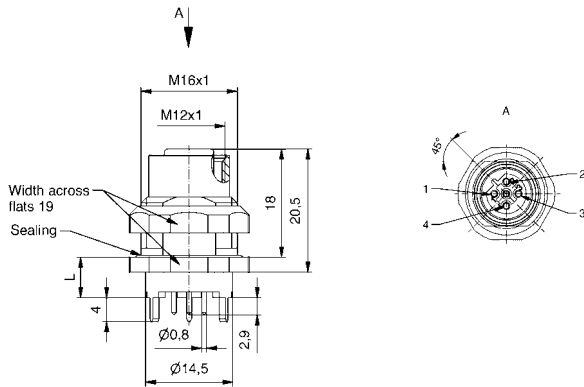


Number of poles	Coding	Rated voltage [V]	Current rating [A]	Material wire	Wire Ø [AWG]	Installation height = L [mm]	Material wire	Cable Length = L [m]	Part No. /Description
-----------------	--------	-------------------	--------------------	---------------	--------------	------------------------------	---------------	----------------------	-----------------------

4	B	250	4						43-01227 SAL-12B-FSHW4
---	---	-----	---	--	--	--	--	--	---------------------------

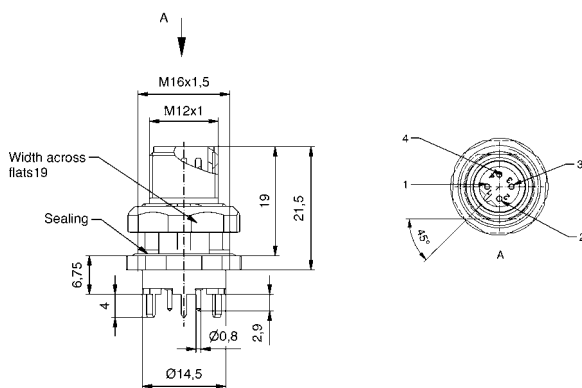
### M12x1 Profibus DP, B-coding, Dip solder termination

M12x1 Female socket with shielded connection M16x1,5-thread



4	B	250	4			6,75			43-01689 SAL-12B-FKH4-P6,75
---	---	-----	---	--	--	------	--	--	--------------------------------

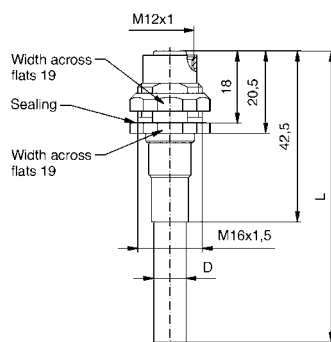
M12x1 Male socket with shielded connection M16x1,5-thread



4	B	250	4			6,75			43-02207 SAL-12B-FSH4-P6,75
---	---	-----	---	--	--	------	--	--	--------------------------------

### M12x1 Profibus DP, B-coding, with cable

M12x1 Female socket M16x1,5-thread



### Contact Assignment

Pin 2 ■  
Pin 4 ■

Pin 2 ■  
Pin 4 ■

Pin 2 ■  
Pin 4 ■

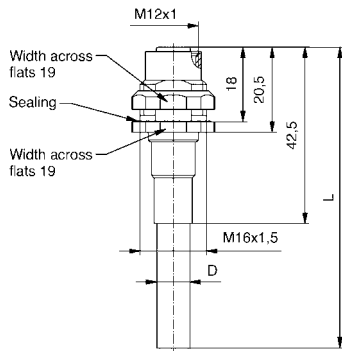
4	B	160	4				PVC UL violet	0,5	43-01648 SAL-12B-FKH4.1-0,5/G4
4	B	160	4				PVC UL violet	1	43-01649 SAL-12B-FKH4.1-1/G4
4	B	160	4				PVC UL violet	2	43-01650 SAL-12B-FKH4.1-2/G4

# BACK PANEL MOUNTING

## Industrial BUS-Systems

### M12x1 Profibus DP, B-coding, with cable

M12x1 Female socket  
M16x1,5-thread



### Contact Assignment

Pin 2 ■  
Pin 4 ■

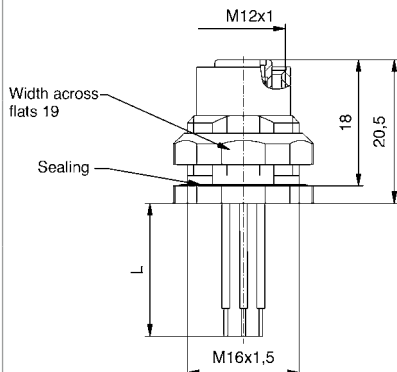
Pin 2 ■  
Pin 4 ■

Pin 2 ■  
Pin 4 ■

Number of poles	Coding	Rated voltage [V]	Current rating [A]	Material wire	Wire Length = L [m]	Installation height	Material cable	Cable Length = L [m]	Part No. / Description
4	B	160	4				TPU UL violet	0,5	43-01654 SAL-12B-FKH4.1-0,5/G5
4	B	160	4				TPU UL violet	1	43-01655 SAL-12B-FKH4.1-1/G5
4	B	160	4				TPU UL violet	2	43-01656 SAL-12B-FKH4.1-2/G5
4	B	160	4				PVC UL violet	0,5	43-01651 SAL-12B-FSH4.1-0,5/G4
4	B	160	4				PVC UL violet	1	43-01652 SAL-12B-FSH4.1-1/G4
4	B	160	4				PVC UL violet	2	43-01653 SAL-12B-FSH4.1-2/G4
4	B	160	4				TPU UL violet	0,5	43-01657 SAL-12B-FSH4.1-0,5/G5
4	B	160	4				TPU UL violet	1	43-01658 SAL-12B-FSH4.1-1/G5
4	B	160	4				TPU UL violet	2	43-01659 SAL-12B-FSH4.1-2/G5
5	A	60	4	PVC 24	0,5				43-02246 SAL-DN-12-FKH5.3-0,5

### M12x1 DeviceNet, A-coding, wire termination

M12x1 Female socket  
M16x1,5-thread



Pin 1 ■  
Pin 2 ■  
Pin 3 ■  
Pin 4 ■  
Pin 5 ■



# BACK PANEL MOUNTING

## Industrial BUS-Systems

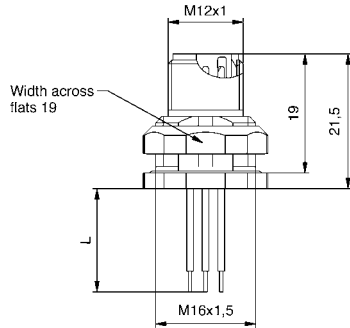
M12x1 DeviceNet, A-coding, wire termination		Contact Assignment	Number of poles	Coding	Rated voltage [V]	Current rating [A]	Material wire	Wire Ø [AWG]	Wire Length = L [m]	Material wire	Cable Length = L [m]	Part No. / Description	
M12x1 Male socket M16x1,5-thread		Pin 1  (Shroud) Pin 2  (+) Pin 3  (-) Pin 4  (CAN H) Pin 5  (CAN L)	5	A	60	4	PVC	24	0,5			43-01368 SAL-DN-12-FSH5.3-0,5	
M12x1 Female socket M16x1,5-thread		Pin 1  (Shroud) Pin 2  (+) Pin 3  (-) Pin 4  (CAN H) Pin 5  (CAN L)	5	A	60	4				TPU UL violet	0,5	43-01642 SAL-DN-12-FKH5.3-0,5/GJ	
			5	A	60	4					TPU UL violet	1	43-01643 SAL-DN-12-FKH5.3-1/GJ
			5	A	60	4					TPU UL violet	2	43-01644 SAL-DN-12-FKH5.3-2/GJ
M12x1 Male socket M16x1,5-thread		Pin 1  (Shroud) Pin 2  (+) Pin 3  (-) Pin 4  (CAN H) Pin 5  (CAN L)	5	A	60	4				TPU UL violet	0,5	43-01645 SAL-DN-12-FSH5.3-0,5/GJ	
			5	A	60	4					TPU UL violet	1	43-01646 SAL-DN-12-FSH5.3-1/GJ
			5	A	60	4					TPU UL violet	2	43-01647 SAL-DN-12-FSH5.3-2/GJ
M12x1 CAN-Bus, wire termination													
M12x1 Female socket M16x1,5-thread		Pin 1 Pin 2 Pin 3 Pin 4	4	A	250	4	PVC	24	0,5			43-02347 SAL-CN-12-FKH4.41-0,5	

## BACK PANEL MOUNTING

### Industrial BUS-Systems

#### M12x1 CAN-Bus, wire termination

M12x1 Male socket  
M16x1,5-thread



#### Contact Assignment

Pin 1 ■  
Pin 2 ■  
Pin 3 ■  
Pin 4 ■

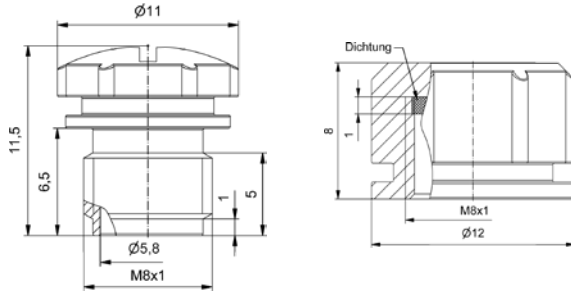
Number of poles	Coding	Rated voltage [V]	Current rating [A]	Material wire	Wire Ø [AWG]	Installation height	Material wire	Wire Length = L [m]	Part No. / Description
4	A	250	4	PVC	24			0,5	43-02348 SAL-CN-12-FSH4.41-0,5

# PROTECTION CAPS

## Male/Female

### M8x1

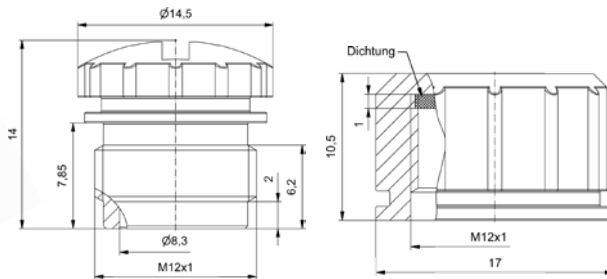
M8x1 Protection cap  
Plastic black



Material Protection cap	Material loop	Material O-ring	Temperature range	Degree of protection	Recommended torque [Nm]	Part No. / Description
PAGF	KFM	-30°C up to 85°C	IP67	0,4		Male connector 42-11774
PAGF	KFM	-30°C up to 85°C	IP67	0,4		Female connector 42-11772
PAGF TPU-V	KFM	-30°C up to 85°C	IP67	0,4		Male connector with loop 42-11775
PAGF TPU-V	KFM	-30°C up to 85°C	IP67	0,4		Female connector with loop 42-11773

### M12x1

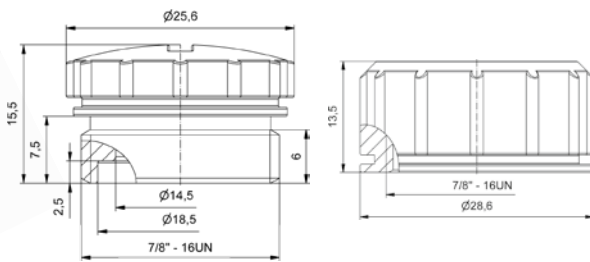
M12x1 Protection cap  
Plastic black



PAGF	KFM	-30°C up to 85°C	IP67	0,6		Male connector 43-16213
PAGF	KFM	-30°C up to 85°C	IP67	0,6		Female connector 43-16211
PAGF TPU-V	KFM	-30°C up to 85°C	IP67	0,6		Male connector with loop 43-16214
PAGF TPU-V	KFM	-30°C up to 85°C	IP67	0,6		Female connector with loop 43-16212

### 7/8"

7/8" Protection cap  
Plastic black



PAGF	KFM	-30°C up to 85°C	IP67	0,8		Male connector 41-01478
PAGF	KFM	-30°C up to 85°C	IP67	0,8		Female connector 41-01476
PAGF TPU-V	KFM	-30°C up to 85°C	IP67	0,8		Male connector with loop 41-01479
PAGF TPU-V	KFM	-30°C up to 85°C	IP67	0,8		Female connector with loop 41-01477

# SAL M8x1 / M12x1 PANEL PLUG MALE/FEMALE

## Nomenclature

S A L - 8 - E S T V M 3 - P

**SAL**  
Sensor Actor Line

**Installation size**  
8 = M8x1  
12 = M12x1

**Coding**  
= A-coding  
S = A-coding shielded  
B = B-coding

**Building**  
E = Panel Plug/Female Panel

**Configuration**  
K = Female connector  
S = Male connector

**Contact carrier**  
= Standard  
T = Transparent

**Building**  
P = Plastic M8x1  
M = Semimetal M8x1  
VM = Fullmetal M8x1  
O = with O-ring M12x1

**Number of poles**  
3 = 3-pos.  
4 = 4-pos.  
5.1 = 5-pos.  
8 = 8-pos.

**Type of connection**  
L = Solder version  
P = Dip solder  
P3,3 = Length of dip solder 3,3 mm

# SAL M8x1 / M12x1 PANEL PLUG MALE/FEMALE

## Products specification

Basic material	
Contact	CuZn
Contact plating	Nickel-plated, gold-plated
Contact carrier	PA GF, UL 94 / PA 12 transparent UL
Sealing	NBR
Socket housing	CuZn, nickel-plated
Shielding	CuZn, nickel-plated

Technical Data	
Information on the following pages are basing on below mentioned IEC-standards.	
Rated voltage	IEC 61076-2-101 / IEC 61076-2-104
Current rating	IEC 61076-2-101 / IEC 61076-2-104
Insulation resistance	IEC 60512
Pollution degree	IEC 60664-1
Degree of protection	IEC 60529
Mating cycles	IEC 60512-9a

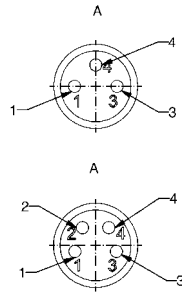
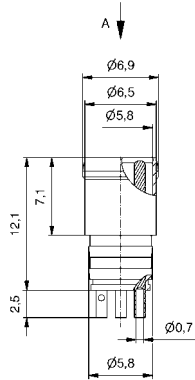
Technical subject to change without notice.

# PANEL PLUG MALE

## Solder version

M8x1

M8x1 Panel plug male plastic, graphite grey snap-in



Number of poles

Coding

Rated voltage [V]

Current rating [A]

Material wire

Wire Ø [AWG]

Installation height

Part No. / Description

3

60

3

42-01004  
SAL-8-ESP3-L

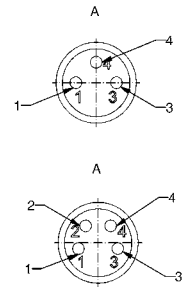
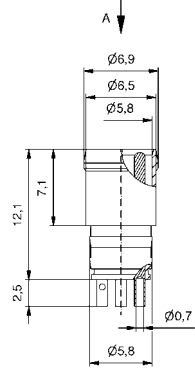
4

30

3

42-01006  
SAL-8-ESP4-L

M8x1 Panel plug male plastic transparent snap-in



3

60

3

42-01005  
SAL-8-ESTP3-L

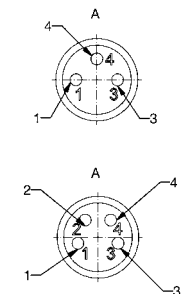
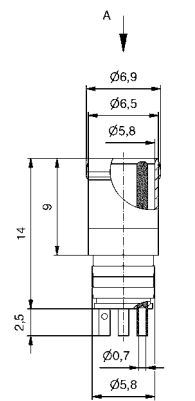
4

30

3

42-01007  
SAL-8-ESTP4-L

M8x1 Panel plug male semimetal snap-in



3

60

3

42-01002  
SAL-8-ESTM3-L

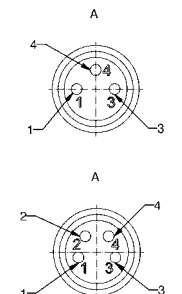
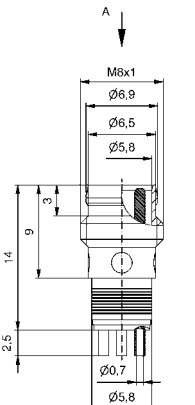
4

30

3

42-01003  
SAL-8-ESTM4-L

M8x1 Panel plug male fullmetal screw/snap-in



3

60

3

42-01008  
SAL-8-ESTVM3-L

4

30

3

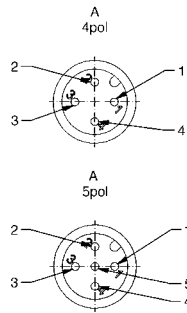
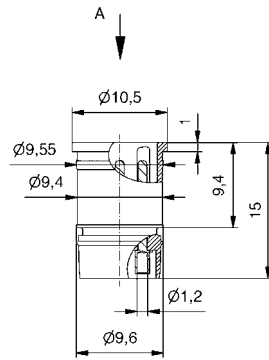
42-01009  
SAL-8-ESTVM4-L

# PANEL PLUG MALE

## Soldering version

M12x1

M12x1 Panel plug male plastic black



Number of poles

Coding

Rated voltage [V]

Current rating [A]

Material wire

Wire Ø [AWG]

Installation height

Part No. / Description

4

250

4

43-01336  
SAL-12-ES4-L

5

60

4

43-01337  
SAL-12-ES5.1-L

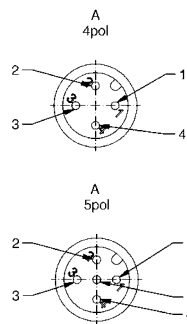
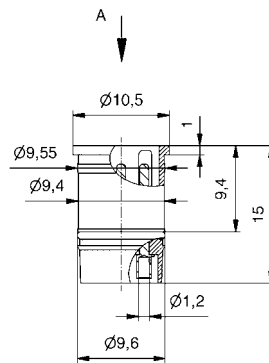
8

30

2

43-01637  
SAL-12-ES8-L

M12x1 Panel plug male plastic black with O-ring



4

250

4

43-01338  
SAL-12-ESO4-L

5

60

4

43-01339  
SAL-12-ES05.1-L

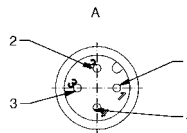
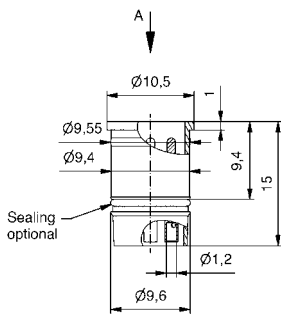
8

30

2

43-01638  
SAL-12-ES08-L

M12x1 Panel plug male plastic transparent with gap for LED



4

250

4

43-01340  
SAL-12-EST04-L  
with O-ring

4

250

4

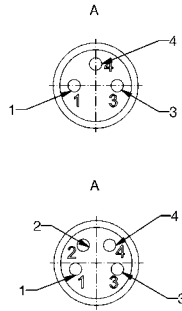
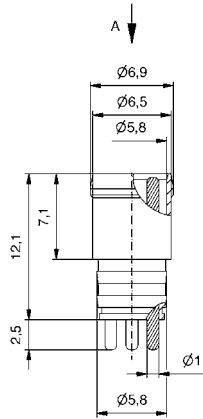
43-01682  
SAL-12-EST4-L

# PANEL PLUG MALE

Dip solder

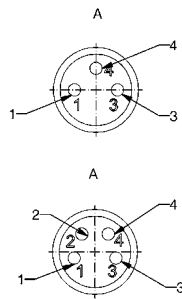
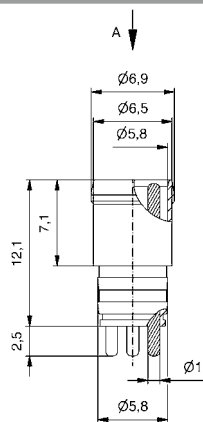
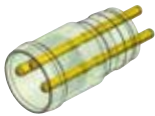
M8x1

M8x1 Panel plug male plastic graphit grey snap-in

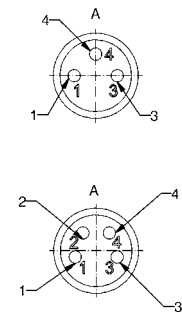
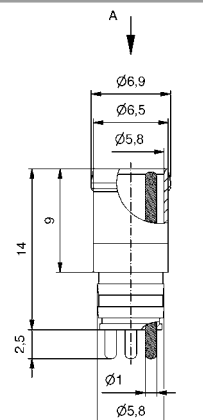


Number of poles	Coding	Rated voltage [V]	Current rating [A]	Material wire	Wire Ø [AWG]	Installation height	Part No. / Description
3		60	3				42-01012 SAL-8-ESP3-P
4		30	3				42-01014 SAL-8-ESP4-P
3		60	3				42-01013 SAL-8-ESTP3-P
4		30	3				42-01015 SAL-8-ESTP4-P
3		60	3				42-01010 SAL-8-ESTM3-P
4		30	3				42-01011 SAL-8-ESTM4-P
3		60	3				42-01016 SAL-8-ESTVM3-P
4		30	3				42-01017 SAL-8-ESTVM4-P

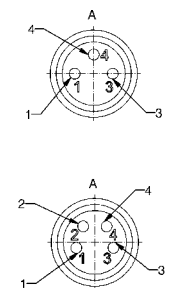
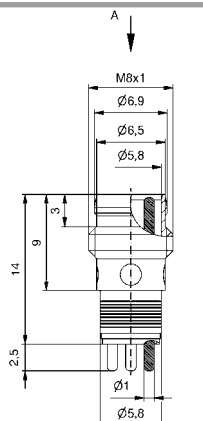
M8x1 Panel plug male plastic transparent snap-in



M8x1 Panel plug male semimetal snap-in



M8x1 Panel plug male fullmetal screw/snap-in



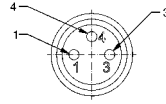
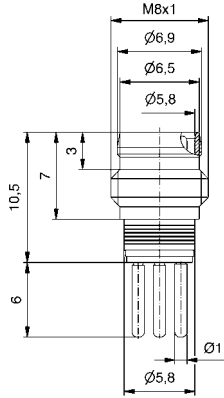


# PANEL PLUG MALE/FEMALE

Dip solder

M8x1

M8x1 Panel plug male  
fullmetal  
screw/snap-in  
short version



Number of poles

Coding

Rated voltage [V]

Current rating [A]

Material wire

Wire Ø [AWG]

Installation height

Part No. / Description

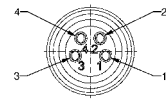
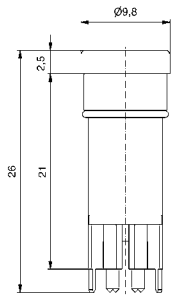
3

60

3

42-01099  
SAL-8-ESTVM3-P6

M8x1 Panel plug female  
shielded



4

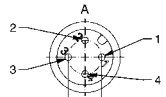
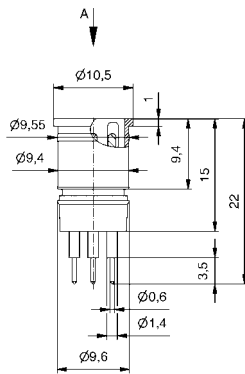
30

3

42-01038  
SAL-8S-EKVM4-P

M12x1

M12x1 Panel plug male  
plastic black



4

250

4

43-01683  
SAL-12-ES4-P

5

60

4

43-01688  
SAL-12-ES5.1-P

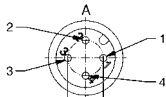
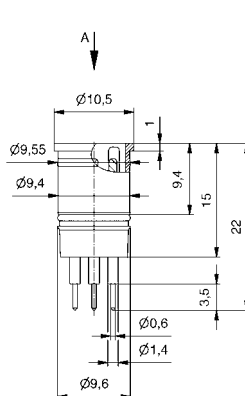
8

30

2

43-01635  
SAL-12-ES8-P

M12x1 Panel plug male  
plastic black  
with O-ring



4

250

4

43-01699  
SAL-12-ESO4-P

5

60

4

43-01700  
SAL-12-ESO5.1-P

8

30

2

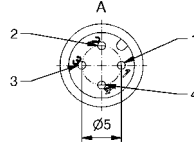
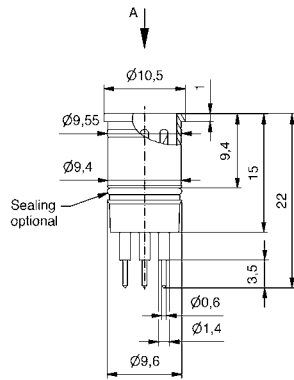
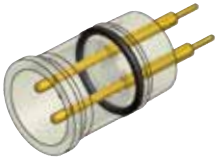
43-01701  
SAL-12-ESO8-P

# PANEL PLUG MALE

Dip solder

M12x1

M12x1 Panel plug male  
plastic transparent  
with gap for LED

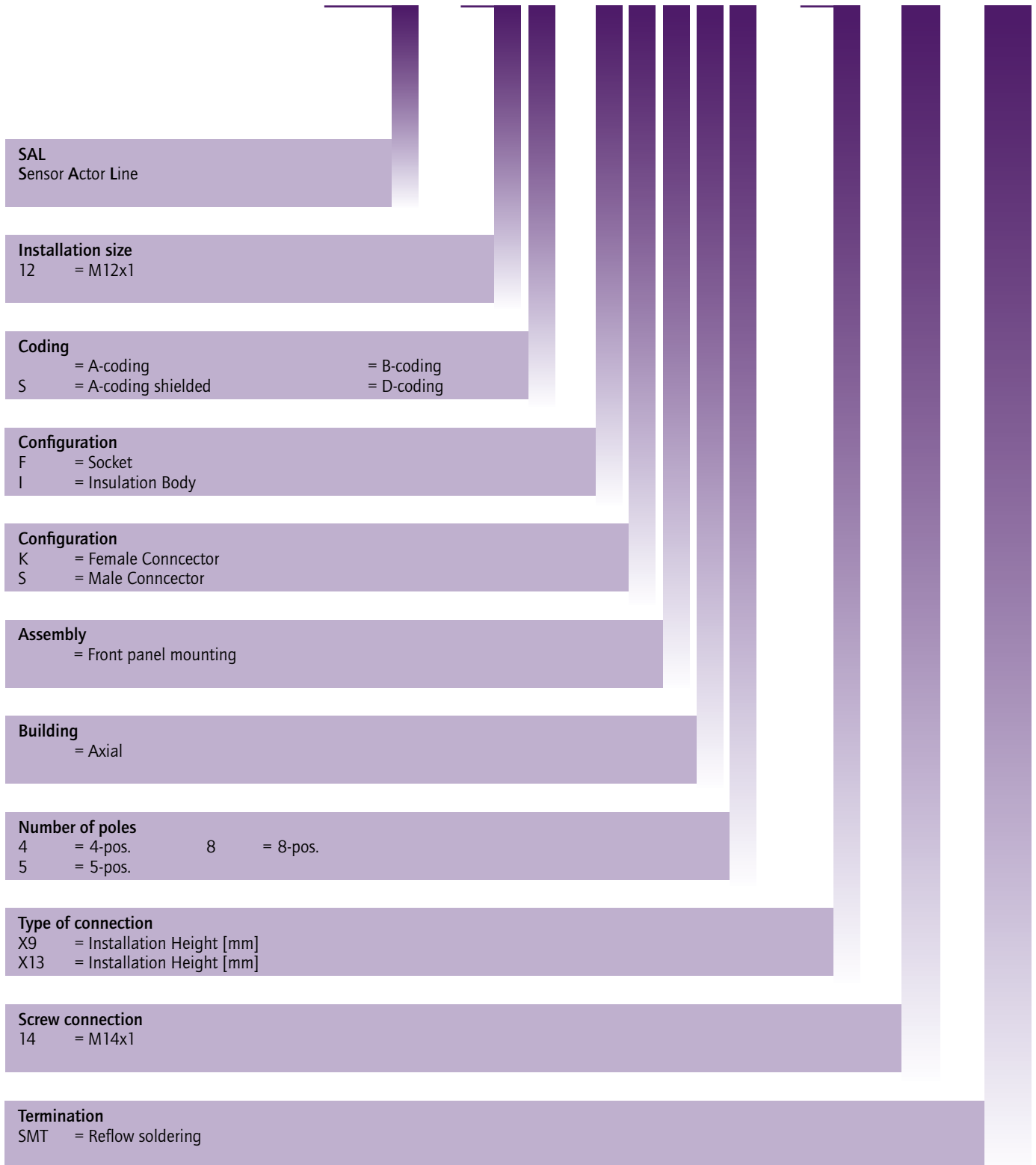


	Number of poles	Coding	Rated voltage [V]	Current rating [A]	Material wire	Wire Ø [AWG]	Installation height	Part No. / Description
	4		250	4				43-01636 SAL-12-EST4-P
	4		250	4				43-01681 SAL-12-EST04-P

# SAL M12x1 SOCKETS SMT

## Nomenclature

S A L - 1 2 - F K 4 - X 9 / 1 4 / SMT



# SAL M12x1 SOCKETS SMT

## Productspecification

Basic material	
Contact	CuZn/CuSn
Contact plating	Ni, Au gal.
Contact carrier	LCP GF
Soldering sheet	CuZn, Ni Sn
Socket housing	CuZn, Ni
Sealing	FPM
Shielding	CuSn/Ni sel. Sn

## Technical Data

Information on the following pages are basing on below mentioned IWEK-standards.

Rated voltage	IEC 61076-2-101
Current rating	IEC 61076-2-101
Insulation resistance	IEC 60512
Pollution degree	IEC 60664-1
Mating cycles	IEC 60512-9a

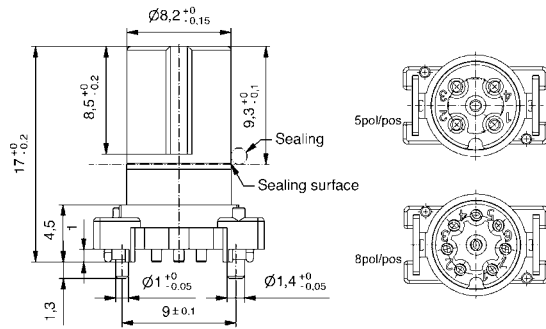
Recommended torque for housing: 0,8-1 Nm  
Technical subject to change without notice.

# SOCKETS SMT

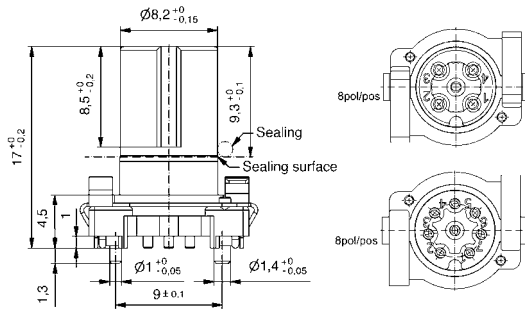
## Insulation Body

### M12x1 Female socket

M12x1 Insulation Body Female



M12x1 Insulation Body Female with shielding



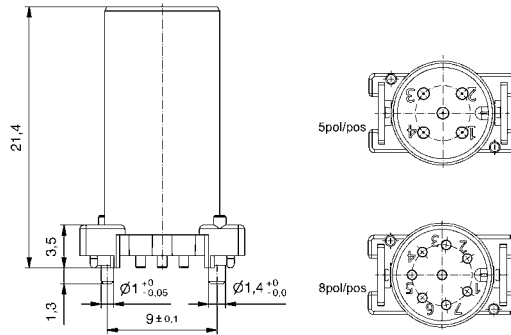
Number of poles	Coding	Rated voltage [V]	Current rating [A]	Material wire	Wire $\varnothing$ [AWG]	Installation height	Part No. / Description
4	A	250	4				Tape & Reel: 43-01848TR Bulk material: 43-01848 SAL-12-1K4-X9/SMT
5	A	60	4				Tape & Reel: 43-01849TR Bulk material: 43-01849 SAL-12-1K5-X9/SMT
8	A	30	2				Tape & Reel: 43-01965TR Bulk material: 43-01965 SAL-12-1K8-X9/SMT
4	A	250	4				Tape & Reel: 43-01850TR Bulk material: 43-01850 SAL-12S-1K4-X9/SMT
5	A	60	4				Tape & Reel: 43-01851TR Bulk material: 43-01851 SAL-12S-1K5-X9/SMT
8	A	30	2				Tape & Reel: 43-02115TR Bulk material: 43-02115 SAL-12S-1K8-X9/SMT
4	B	250	4				Tape & Reel: 43-02032TR Bulk material: 43-02032 SAL-12B-1K4-X9/SMT
5	B	60	4				Tape & Reel: 43-02033TR Bulk material: 43-02033 SAL-12B-1K5-X9/SMT
4	D	250	4				Tape & Reel: 43-02034TR Bulk material: 43-02034 SAL-12D-1K4-X9/SMT

# SOCKETS SMT

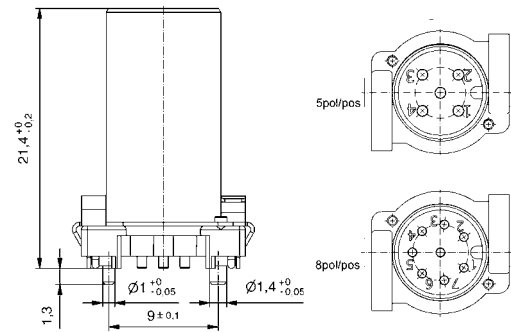
## Insulation Body

### M12x1 Male socket

M12x1 Insulation Body Male



M12x1 Insulation Body Male with shielding



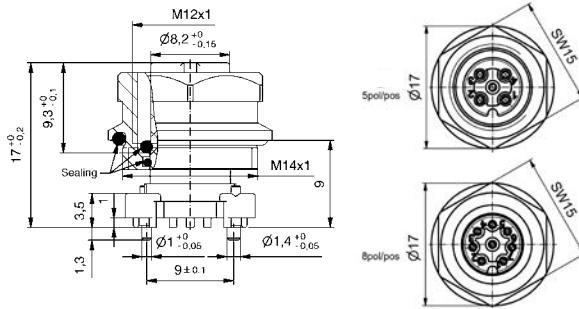
Number of poles	Coding	Rated voltage [V]	Current rating [A]	Material wire	Wire Ø [AWG]	Installation height	Part No. / Description
4	A	250	1				Tape & Reel: 43-02026TR Bulk material: 43-02026 SAL-12-IS4-X9/SMT
5	A	60	4				Tape & Reel: 43-02027TR Bulk material: 43-02027 SAL-12-IS5-X9/SMT
8	A	30	2				Tape & Reel: 43-02028TR Bulk material: 43-02028 SAL-12-IS8-X9/SMT
4	A	250	4				Tape & Reel: 43-02118TR Bulk material: 43-02118 SAL-12S-IS4-X9/SMT
5	A	60	4				Tape & Reel: 43-02119TR Bulk material: 43-02119 SAL-12S-IS5-X9/SMT
8	A	30	2				Tape & Reel: 43-02120TR Bulk material: 43-02120 SAL-12S-IS8-X9/SMT
4	B	250	4				Tape & Reel: 43-02030TR Bulk material: 43-02030 SAL-12B-IS4-X9/SMT
5	B	60	4				Tape & Reel: 43-02031TR Bulk material: 43-02031 SAL-12B-IS5-X9/SMT

# SOCKETS SMT

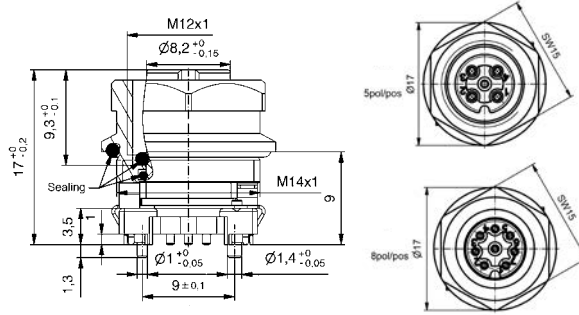
Front panel mounting Installation height 9 mm

## M12x1 Female socket

M12x1 Female socket



M12x1 Female socket with shielding



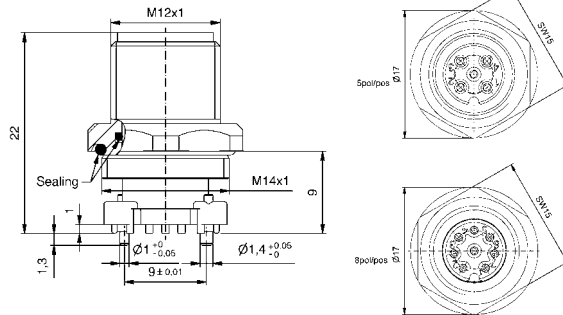
	Number of poles	Coding	Rated voltage [V]	Current rating [A]	Material wire	Wire Ø [AWG]	Installation height [mm]	Part No. / Description
M12x1 Female socket	4	A	250	4			9	Tape & Reel: 43-01852TR Bulk material: 43-01852 SAL-12-FK4-X9/14/SMT
	5	A	60	4			9	Tape & Reel: 43-01853TR Bulk material: 43-01853 SAL-12-FK5-X9/14/SMT
	8	A	30	2			9	Tape & Reel: 43-02116TR Bulk material: 43-02116 SAL-12-FK8-X9/14/SMT
M12x1 Female socket with shielding	4	A	250	4			9	Tape & Reel: 43-01854TR Bulk material: 43-01854 SAL-12S-FK4-X9/14/SMT
	5	A	60	4			9	Tape & Reel: 43-01855TR Bulk material: 43-01855 SAL-12S-FK5-X9/14/SMT
	8	A	30	2			9	Tape & Reel: 43-02117TR Bulk material: 43-02117 SAL-12S-FK8-X9/14/SMT

# SOCKETS SMT

Front panel mounting Installation height 9 mm

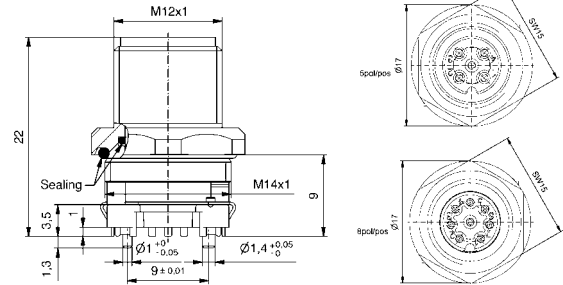
## M12x1 Male socket

M12x1 Male socket



Number of poles	Coding	Rated voltage [V]	Current rating [A]	Material wire	Wire Ø [AWG]	Installation height [mm]	Part No. / Description
4	A	250	4			9	Tape & Reel: 43-02109TR Bulk material: 43-02109 SAL-12-F54-X9/14/SMT
5	A	60	4			9	Tape & Reel: 43-02110TR Bulk material: 43-02110 SAL-12-F55-X9/14/SMT
8	A	30	2			9	Tape & Reel: 43-02111TR Bulk material: 43-02111 SAL-12-F58-X9/14/SMT
4	A	250	4			9	Tape & Reel: 43-02112TR Bulk material: 43-02112 SAL-12S-F54-X9/14/SMT
5	A	60	4			9	Tape & Reel: 43-02113TR Bulk material: 43-02113 SAL-12S-F55-X9/14/SMT
8	A	30	2			9	Tape & Reel: 43-02114TR Bulk material: 43-02114 SAL-12S-F58-X9/14/SMT

M12x1 Male socket with shielding



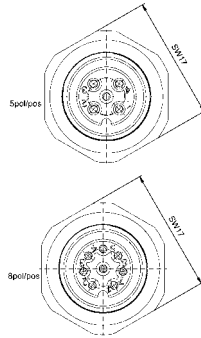
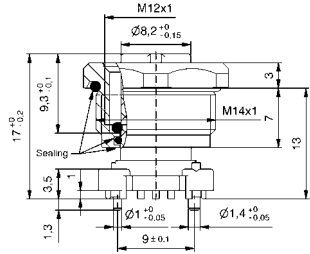


# SOCKETS SMT

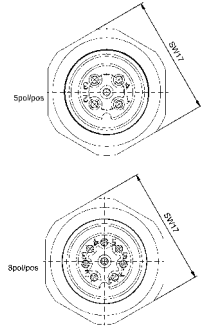
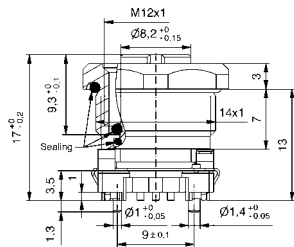
Front panel mounting Installation height 13 mm

## M12x1 Female socket

M12x1 Female socket



M12x1 Female socket with shielding



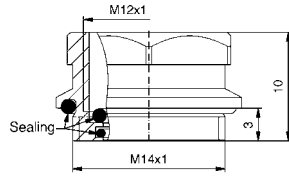
	Number of poles	Coding	Rated voltage [V]	Current rating [A]	Material wire	Wire Ø [AWG]	Installation height [mm]	Part No. / Description
M12x1 Female socket	4	A	250	4			13	Tape & Reel: 43-02103TR Bulk material: 43-02103 SAL-12-FK4-X13/14/SMT
	5	A	60	4			13	Tape & Reel: 43-02104TR Bulk material: 43-02104 SAL-12-FK5-X13/14/SMT
	8	A	30	2			13	Tape & Reel: 43-02105TR Bulk material: 43-02105 SAL-12-FK8-X13/14/SMT
M12x1 Female socket with shielding	4	A	250	4			13	Tape & Reel: 43-02106TR Bulk material: 43-02106 SAL-12S-FK4-X13/14/SMT
	5	A	60	4			13	Tape & Reel: 43-02107TR Bulk material: 43-02107 SAL-12S-FK5-X13/14/SMT
	8	A	30	2			13	Tape & Reel: 43-02108TR Bulk material: 43-02108 SAL-12S-FK8-X13/14/SMT

# SOCKETS SMT

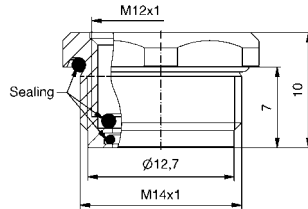
## Mounting Hardware

M12x1

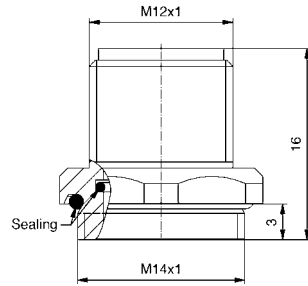
Housing Female  
Female socket M14x1  
Installation height 9 mm



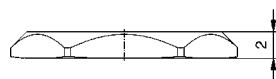
Housing Female  
Female socket M14x1  
Installation height 13 mm



Housing Male  
Male socket M14x1  
Installation height 9 mm



Hexagon nut  
M14x1



Number of poles

Coding

Rated voltage [V]

Current rating [A]

Material wire

Wire Ø [AWG]

Installation height [mm]

Part No. / Description

9 43-02129

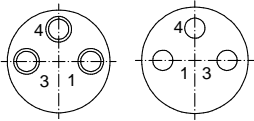
13 43-02130

9 43-02131

43-02132

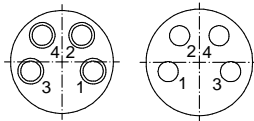
# PIN ASSIGNMENT

## M8x1



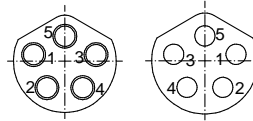
Female socket 3-pos. Male socket 3-pos.

- Pin 1 ■
- Pin 3 ■
- Pin 4 ■



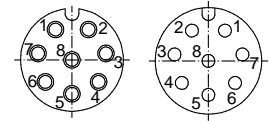
Female socket 4-pos. Male socket 4-pos.

- Pin 1 ■
- Pin 2 □
- Pin 3 ■
- Pin 4 ■



Female socket 5-pos. Male socket 5-pos.

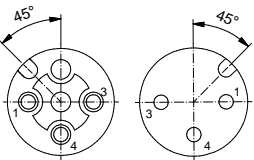
- Pin 1 ■
- Pin 2 □
- Pin 3 ■
- Pin 4 ■
- Pin 5 ■



Female socket 8-pos. Male socket 8-pos.

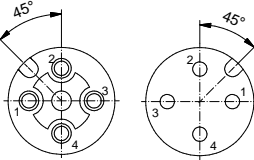
- Pin 1 □
- Pin 2 ■
- Pin 3 ■
- Pin 4 ■
- Pin 5 ■
- Pin 6 ■
- Pin 7 ■
- Pin 8 ■

## M12x1



Female socket 3-pos. A-Coding Male socket 3-pos. A-Coding

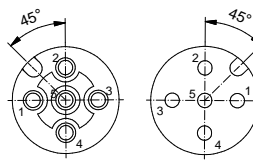
- Pin 1 ■
- Pin 3 ■
- Pin 4 ■



Female socket 4-pos. A-Coding Male socket 4-pos. A-Coding

- 4-pos.**
- Pin 1 ■
  - Pin 2 □
  - Pin 3 ■
  - Pin 4 ■

- 4.41-pos.**
- Pin 1 ■
  - Pin 2 □
  - Pin 3 ■
  - Pin 4 ■

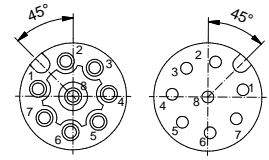


Female socket 5-pos. A-Coding Male socket 5-pos. A-Coding

- 5-pos.**
- Pin 1 ■
  - Pin 2 □
  - Pin 3 ■
  - Pin 4 ■
  - Pin 5 ■

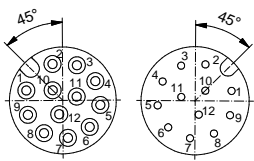
- 5.1-pos.**
- Pin 1 ■
  - Pin 2 □
  - Pin 3 ■
  - Pin 4 ■
  - Pin 4 ■

- 5.3 (DeviceNet)**
- Pin 1 ■
  - Pin 2 ■
  - Pin 3 ■
  - Pin 4 □
  - Pin 5 ■



Female socket 8-pos. A-Coding Male socket 8-pos. A-Coding

- Pin 1 □
- Pin 2 ■
- Pin 3 ■
- Pin 4 ■
- Pin 5 ■
- Pin 6 ■
- Pin 7 ■
- Pin 8 ■

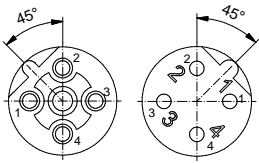


Female socket 12-pos. A-Coding Male socket 12-pos. A-Coding

- Pin 1 ■
- Pin 2 ■
- Pin 3 □
- Pin 4 ■
- Pin 5 ■
- Pin 6 ■
- Pin 7 ■
- Pin 8 ■
- Pin 9 ■
- Pin 10 ■
- Pin 11 ■
- Pin 12 ■

# PIN ASSIGNMENT

M12x1



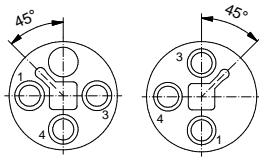
Female socket 4-pos.  
B-Coding      Male socket 4-pos.  
B-Coding

**4.1-pos.**

- Pin 1 ■
- Pin 2 ■
- Pin 3 ■
- Pin 4 ■

**4.3-pos.**

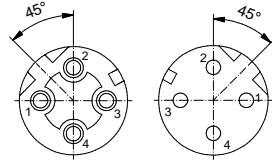
- Pin 1 ■
- Pin 3 ■



Female socket 3-pos.  
T-Coding      Male socket 3-pos.  
T-Coding

**3-pos.**

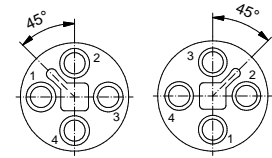
- Pin 1 ■
- Pin 3 ■
- Pin 4 ■



Female socket 4-pos.  
D-Coding      Male socket 4-pos.  
D-Coding

**4.2-pos.**

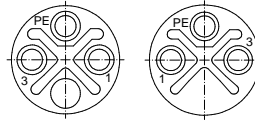
- Pin 1 ■
- Pin 2 ■
- Pin 3 ■
- Pin 4 ■



Female socket 4-pos.  
T-Coding      Male socket 4-pos.  
T-Coding

**4-pos.**

- Pin 1 ■
- Pin 2 ■
- Pin 3 ■
- Pin 4 ■



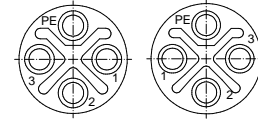
Female socket 2+PE-pos.  
S-Coding      Male socket 2+PE-pos.  
S-Coding

**2+PE**

- Pin 1 ■
- Pin 3 ■
- PE ■



Female socket  
X-Coding

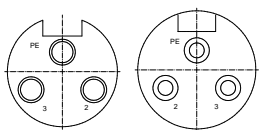


Female socket 3+PE-pos.  
S-Coding      Male socket 3+PE 4-pos.  
S-Coding

**3+PE**

- Pin 1 ■
- Pin 2 ■
- Pin 3 ■
- PE ■

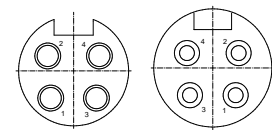
7/8"



Female socket 2+PE-pos.  
Male socket 2+PE-pos.

**2+PE**

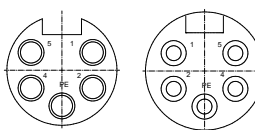
- PE ■
- Pin 2 ■
- Pin 3 ■



Female socket 4-pos.  
Male socket 4-pos.

**4-pos.**

- Pin 1 ■
- Pin 2 ■
- Pin 3 ■
- Pin 4 ■



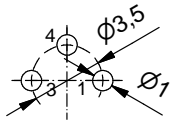
Female socket 4+PE-pos.  
Male socket 4+PE-pos.

**4+PE**

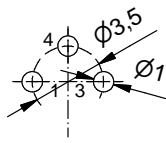
- Pin 1 ■
- Pin 2 ■
- PE ■
- Pin 4 ■
- Pin 5 ■

# PCB-LAYOUT

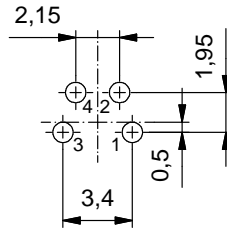
M8x1



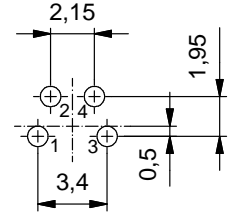
Female socket  
3-pos.



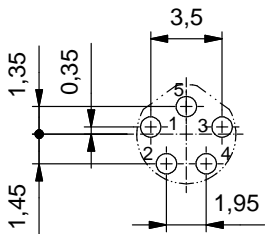
Male socket  
3-pos.



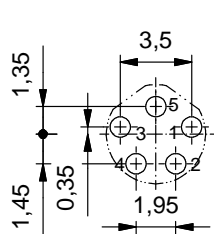
Female socket  
4-pos.



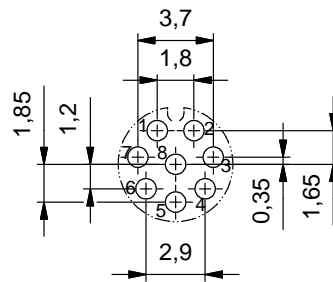
Male socket  
4-pos.



Female socket  
5-pos.

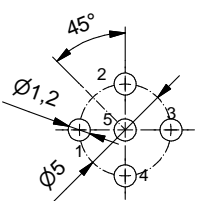


Male socket  
5-pos.

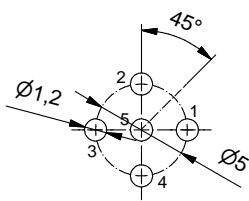


Female socket  
8-pos.

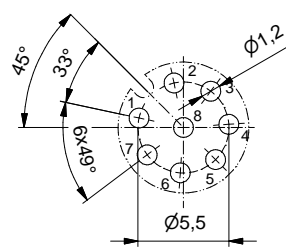
M12x1



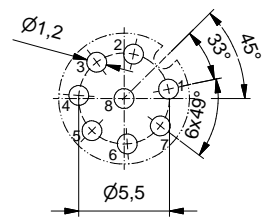
Female socket  
4-, 5-pos.  
A/B/D-Coding



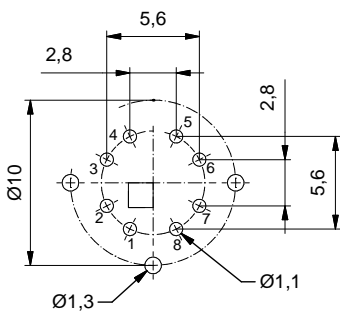
Male socket  
4-, 5-pos.  
A/B/D-Coding



Female socket  
8-pos.  
A-Coding



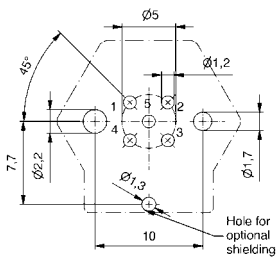
Male socket  
8-pos.  
A-Coding



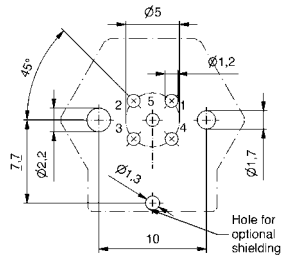
Female socket  
8-pos.  
X-Coding

# PCB-LAYOUT

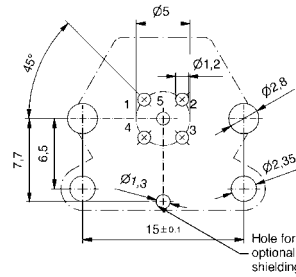
M12x1



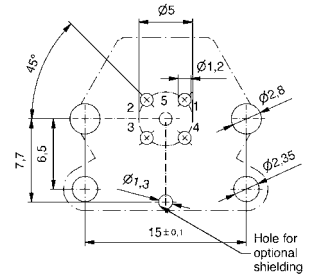
Female socket  
4-, 5-pos.  
A/B/D-Coding  
Dimension X5,5



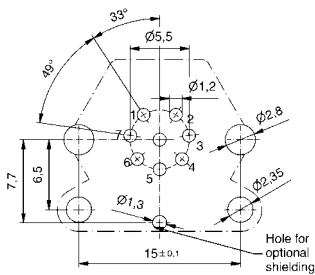
Male socket  
4-, 5-pos.  
A/B/D-Coding  
Dimension X5,5



Female socket  
4-, 5-pos.  
A/B/D-Coding  
Dimension X10

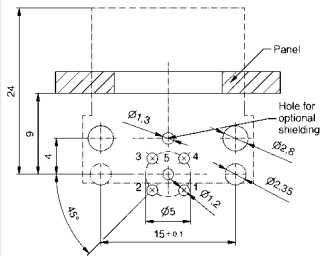


Male socket  
4-, 5-pos.  
A/B/D-Coding  
Dimension X10

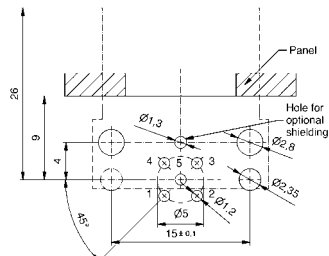


Female socket  
8-pos.  
A-Coding  
Dimension X10

M12x1



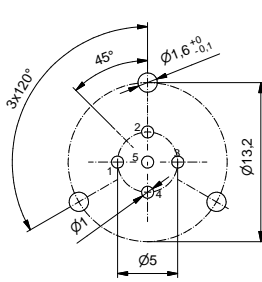
Female socket angled  
4-, 5-pos.  
A/B/D-Coding



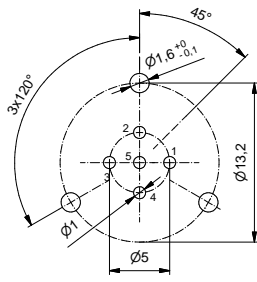
Male socket angled  
4-, 5-pos.  
A/B/D-Coding

# PCB-LAYOUT

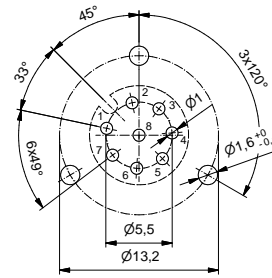
M12x1 P6,75



Female socket  
4-, 5-pos.  
A/B/D-Coding

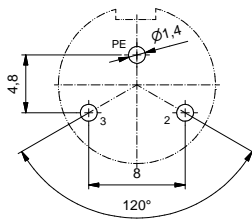


Male socket  
4-, 5-pos.  
A/B/D-Coding

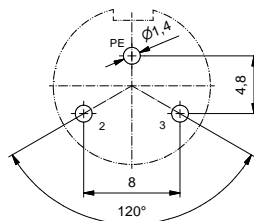


Female socket  
8-pos.  
A-Coding

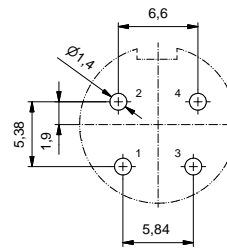
7/8"



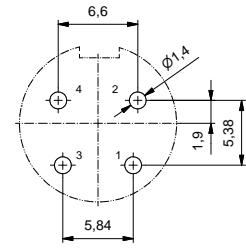
Female socket  
2+PE



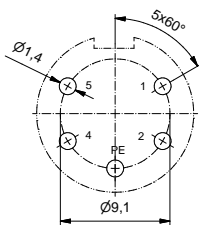
Male socket  
2+PE



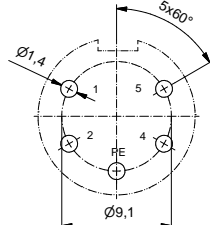
Female socket  
4-pos.



Male socket  
4-pos.

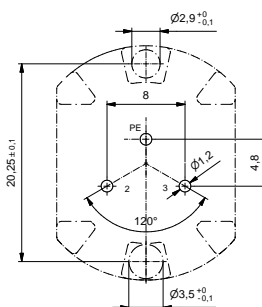


Female socket  
4+PE

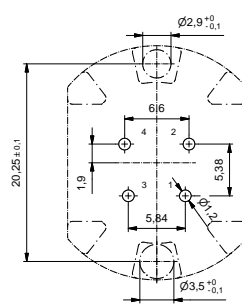


Male socket  
4+PE

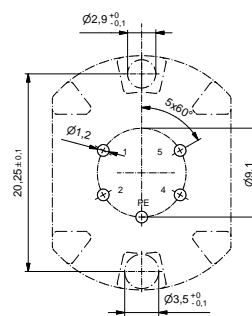
7/8"



Male socket  
2+PE  
Dimension X10



Male socket  
4-pos.  
Dimension X10

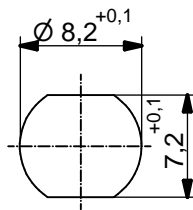


Male socket  
4+PE  
Dimension X10

# PANEL CUT OUT

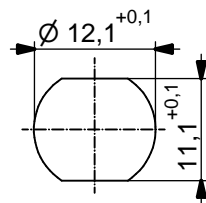
M8x1

Mounting thread M8x0,5



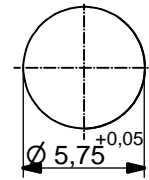
Min. wall thickness 1,5 mm,  
alternative panel cut out d=8,2

Mounting thread M12x1



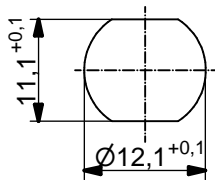
Min. wall thickness 1,5 mm,  
alternative panel cut out d=12,1

Panel plug male



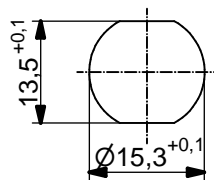
M12x1

Mounting thread M12x1



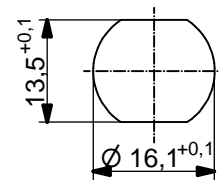
Min. wall thickness 1,5 mm,  
alternative panel cut out d=12,1

Mounting thread PG9



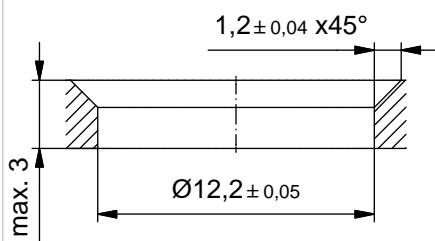
Min. wall thickness 1,5 mm,  
alternative panel cut out d=15,3

Mounting thread M16x1,5

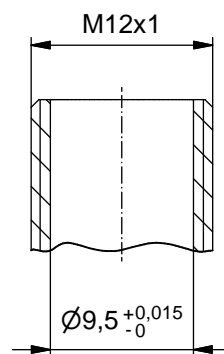


Min. wall thickness 1,5 mm,  
alternative panel cut out d=16,1

X-Coding

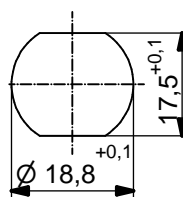


Panel plug male



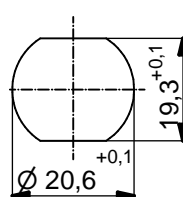
7/8"

Mounting thread PG11



Min. wall thickness 2,5 mm,  
alternative panel cut out d=18,8

Mounting thread PG13,5



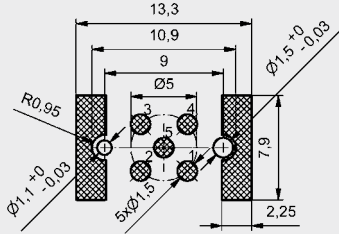
Min. wall thickness 2,5 mm,  
alternative panel cut out d=20,6



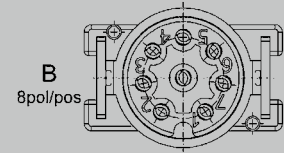
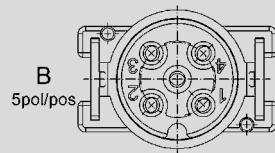
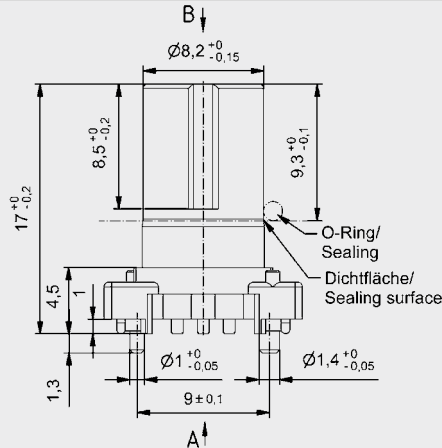
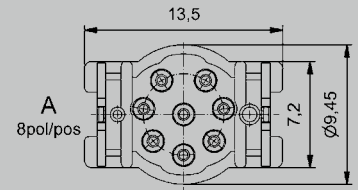
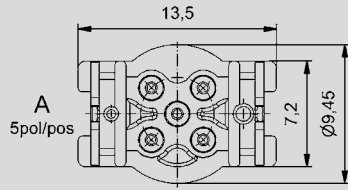
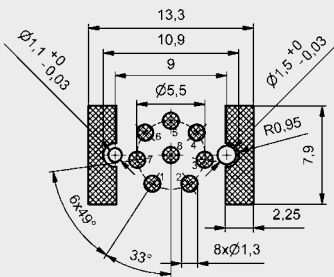
# SMT DIMENSION DRAWINGS & LAYOUT PROPOSAL

## Insulation body female

Layout proposal 4-, 5-pos.

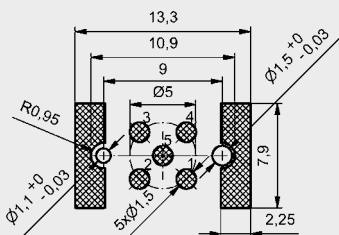


Layout proposal 8-pos.

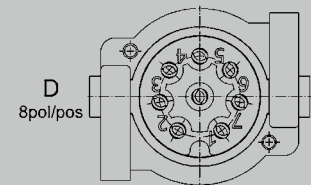
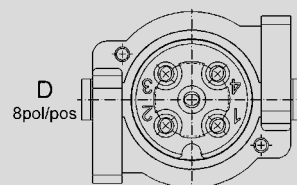
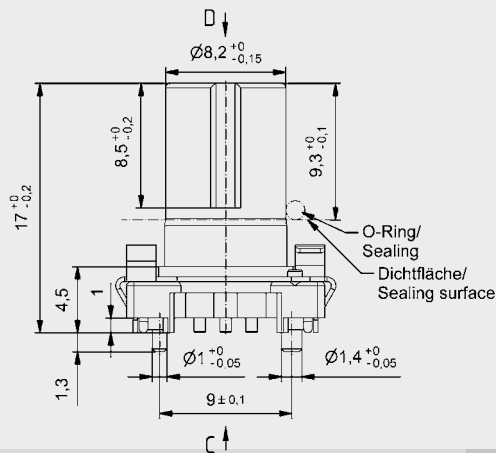
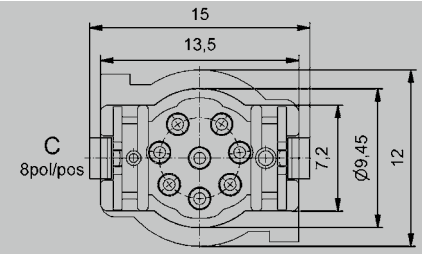
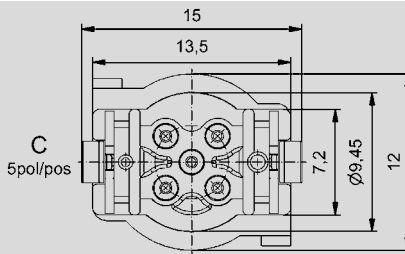
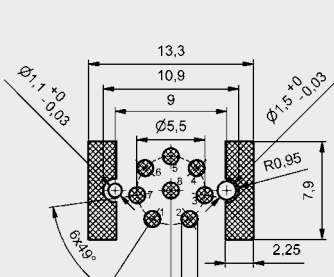


## Insulation body female with shielding

Layout proposal 4-, 5-pos.



Layout proposal 8-pos.

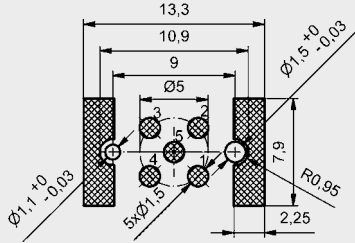


Coplanarity of all contacts, soldering sheets and shielding max 0,1 mm

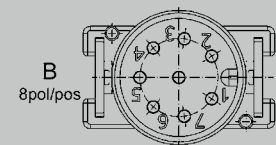
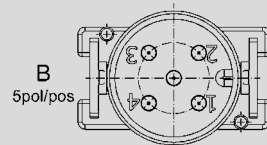
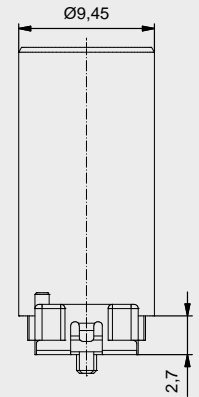
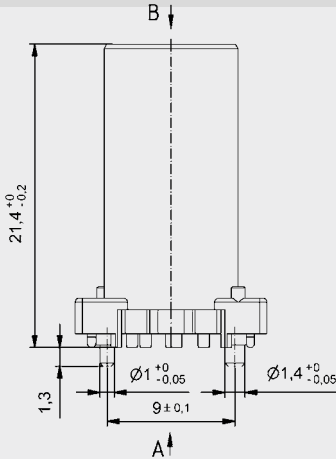
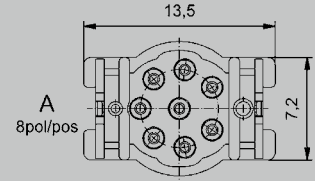
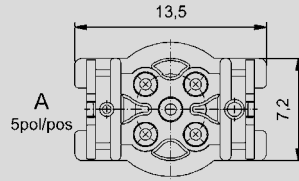
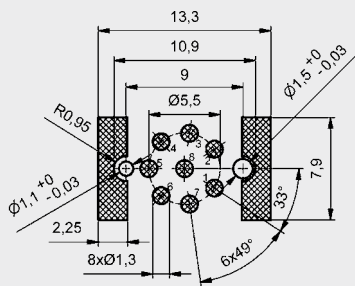
# SMT DIMENSION DRAWINGS & LAYOUT PROPOSAL

## Insulation body male

Layout proposal 4-, 5-pos.

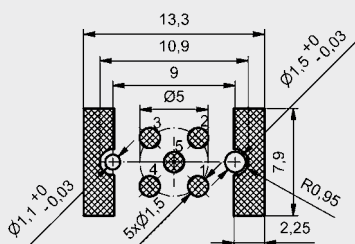


Layout proposal 8-pos.

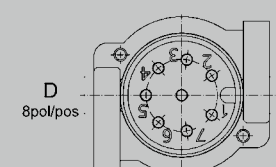
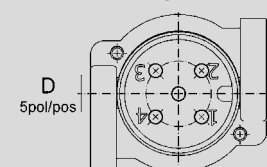
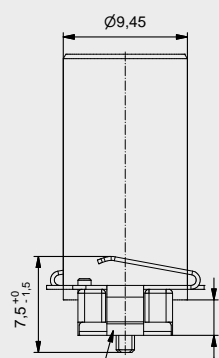
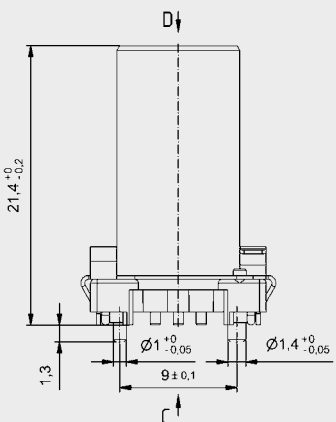
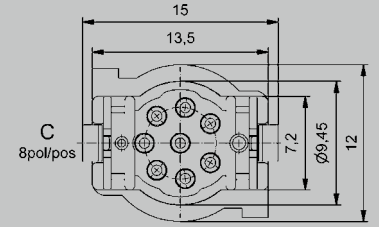
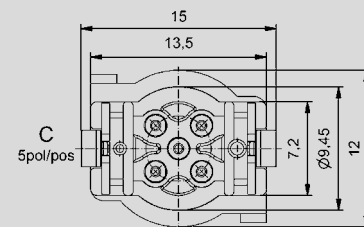
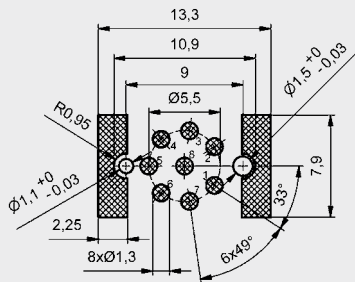


## Insulation body male with shielding

Layout proposal 4-, 5-pos.



Layout proposal 8-pos.

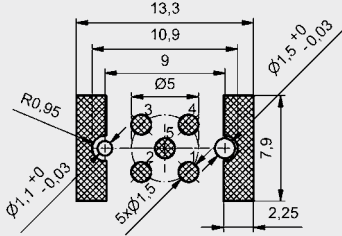


Coplanarity of all contacts, soldering sheets and shielding max 0,1 mm

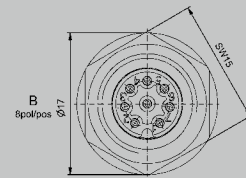
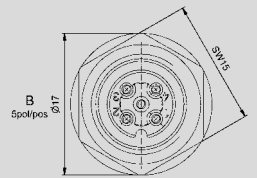
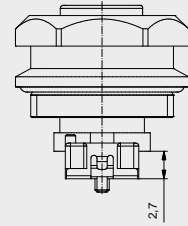
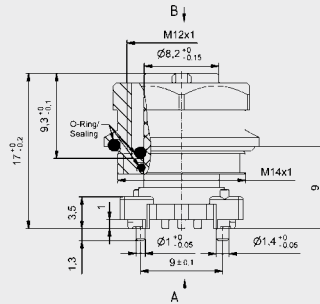
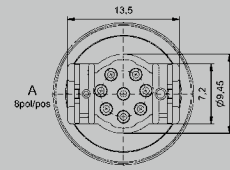
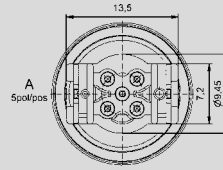
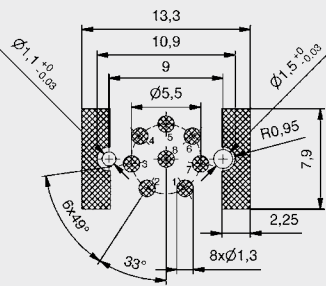
# SMT DIMENSION DRAWINGS & LAYOUT PROPOSAL

## Male socket, Front panel mounting, Installation height 9 mm

Layout proposal 4-, 5-pos.

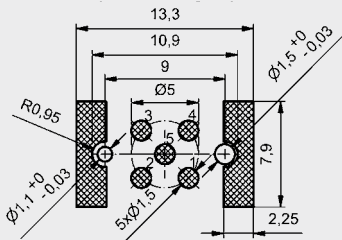


Layout proposal 8-pos.

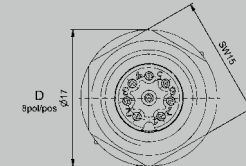
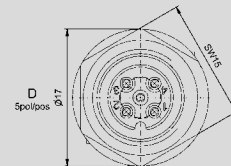
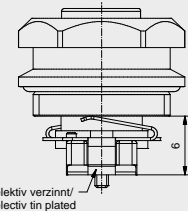
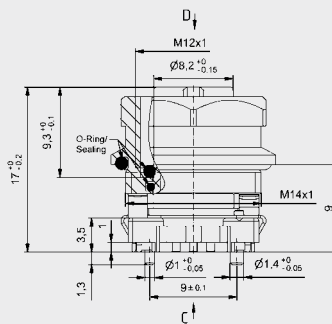
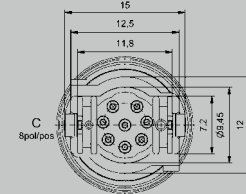
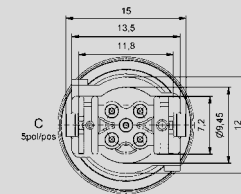
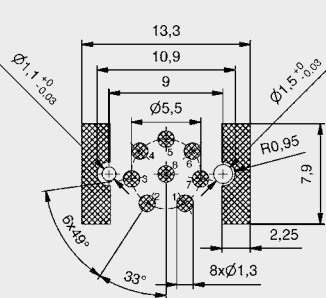


## Male socket with shielding, Front panel mounting, Installation height 9 mm

Layout proposal 4-, 5-pos.



Layout proposal 8-pos.

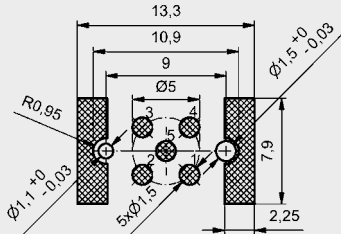


Coplanarity of all contacts, soldering sheets and shielding max 0,1 mm

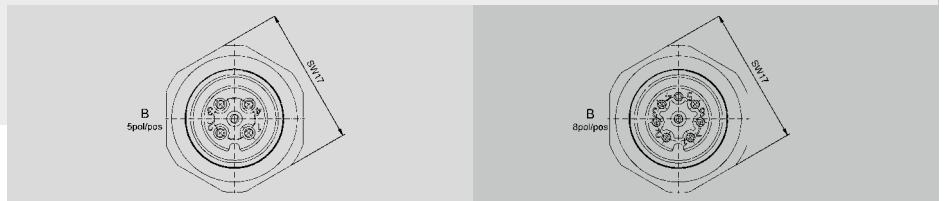
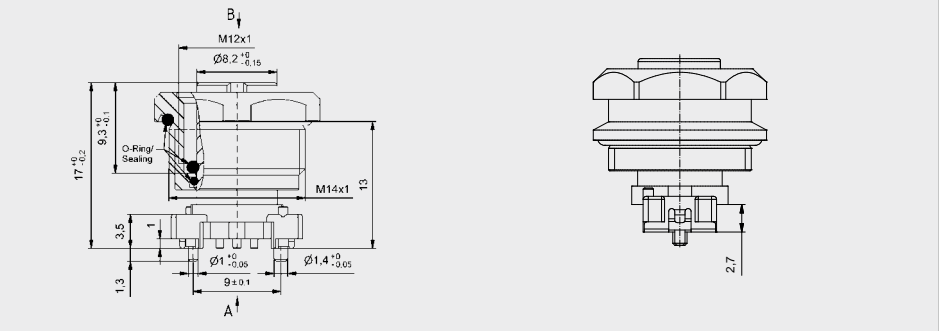
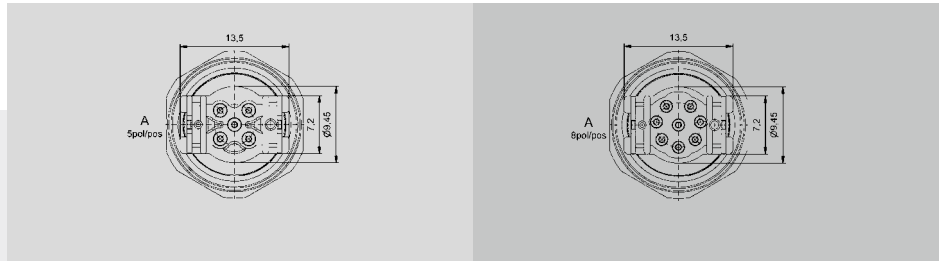
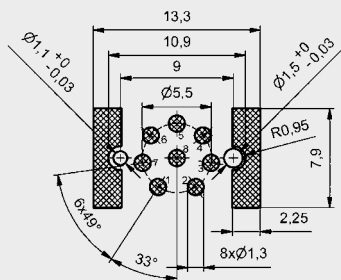
# SMT DIMENSION DRAWINGS & LAYOUT PROPOSAL

## Female socket, Front panel mounting, Installation height 13 mm

Layout proposal 4-, 5-pos.

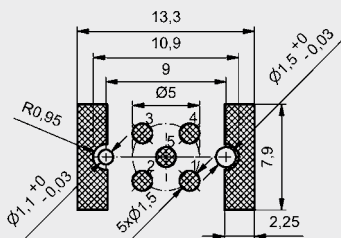


Layout proposal 8-pos.

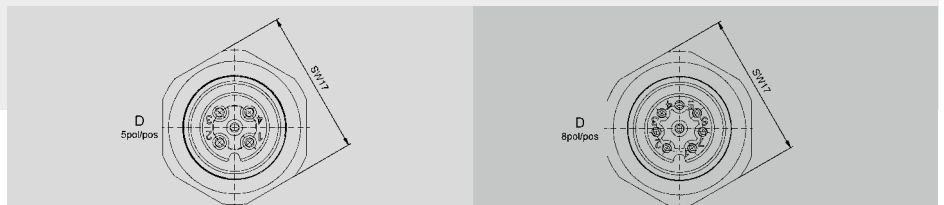
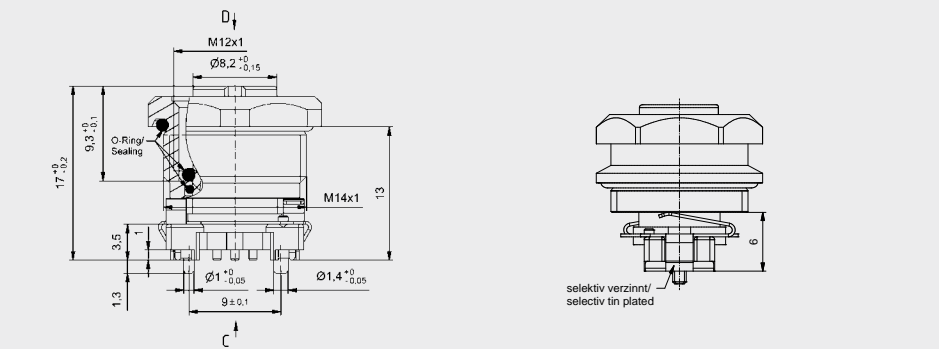
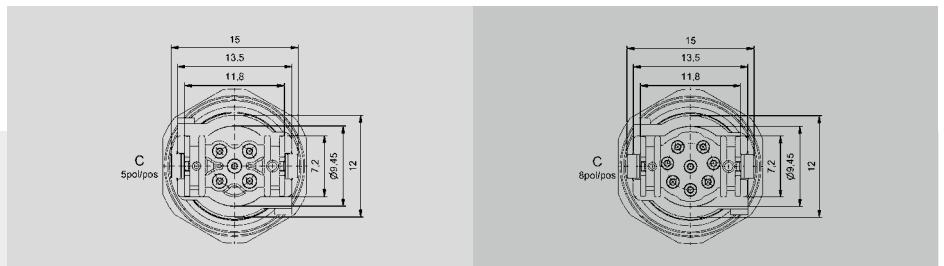
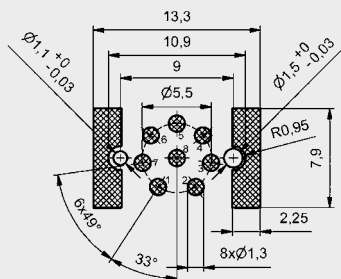


## Female socket with shielding, Front panel mounting, Installation height 13 mm

Layout proposal 4-, 5-pos.



Layout proposal 8-pos.

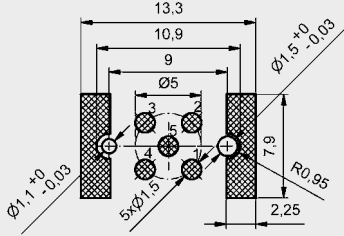


Coplanarity of all contacts, soldering sheets and shielding max 0,1 mm

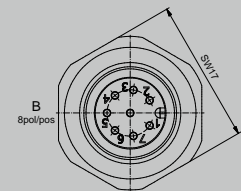
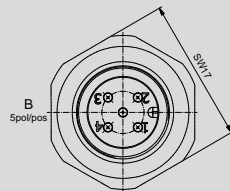
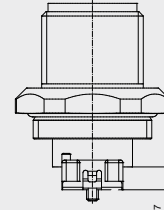
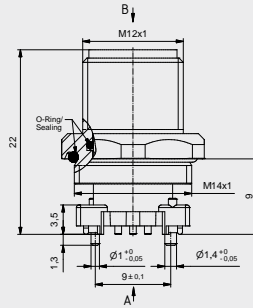
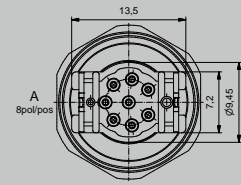
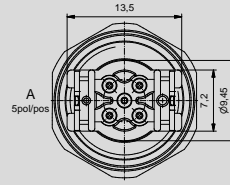
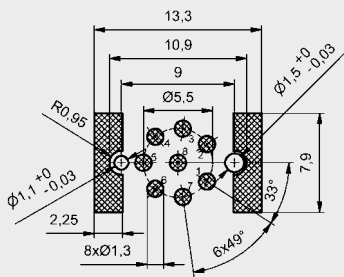
# SMT DIMENSION DRAWINGS & LAYOUT PROPOSAL

## Male socket, Front panel mounting, Installation height 9 mm

Layout proposal 4-, 5-pos.

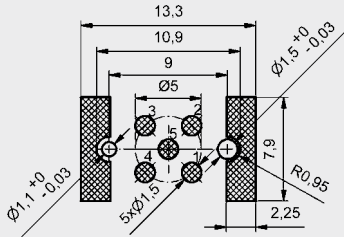


Layout proposal 8-pos.

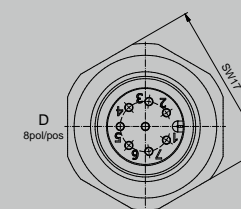
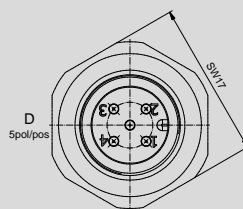
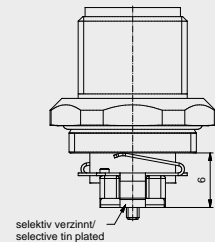
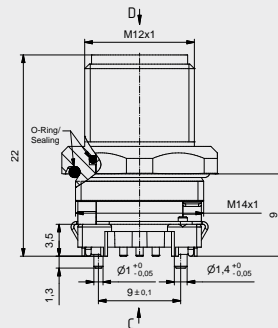
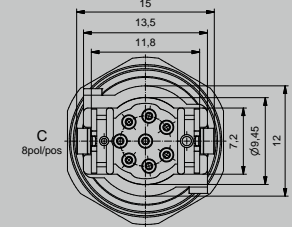
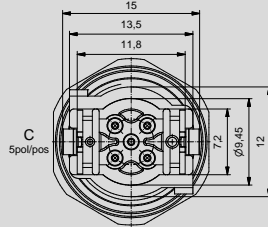
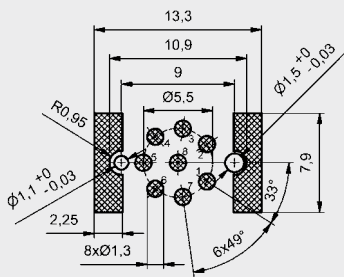


## Male socket with shielding, Front panel mounting, Installation height 9 mm

Layout proposal 4-, 5-pos.



Layout proposal 8-pos.



Coplanarity of all contacts, soldering sheets and shielding max 0,1 mm



По вопросам продаж и поддержки обращайтесь:

Архангельск (8182)63-90-72  
Астана (7172)727-132  
Астрахань (8512)99-46-04  
Барнаул (3852)73-04-60  
Белгород (4722)40-23-64  
Брянск (4832)59-03-52  
Владивосток (423)249-28-31  
Волгоград (844)278-03-48  
Вологда (8172)26-41-59  
Воронеж (473)204-51-73  
Екатеринбург (343)384-55-89

Иваново (4932)77-34-06  
Ижевск (3412)26-03-58  
Казань (843)206-01-48  
Калининград (4012)72-03-81  
Калуга (4842)92-23-67  
Кемерово (3842)65-04-62  
Киров (8332)68-02-04  
Краснодар (861)203-40-90  
Красноярск (391)204-63-61  
Курск (4712)77-13-04  
Липецк (4742)52-20-81

Магнитогорск (3519)55-03-13  
Москва (495)268-04-70  
Мурманск (8152)59-64-93  
Набережные Челны (8552)20-53-41  
Нижний Новгород (831)429-08-12  
Новокузнецк (3843)20-46-81  
Новосибирск (383)227-86-73  
Омск (3812)21-46-40  
Орел (4862)44-53-42  
Оренбург (3532)37-68-04  
Пенза (8412)22-31-16

Пермь (342)205-81-47  
Ростов-на-Дону (863)308-18-15  
Рязань (4912)46-61-64  
Самара (846)206-03-16  
Санкт-Петербург (812)309-46-40  
Саратов (845)249-38-78  
Севастополь (8692)22-31-93  
Симферополь (3652)67-13-56  
Смоленск (4812)29-41-54  
Сочи (862)225-72-31  
Ставрополь (8652)20-65-13

Сургут (3462)77-98-35  
Тверь (4822)63-31-35  
Томск (3822)98-41-53  
Тула (4872)74-02-29  
Тюмень (3452)66-21-18  
Ульяновск (8422)24-23-59  
Уфа (347)229-48-12  
Хабаровск (4212)92-98-04  
Челябинск (351)202-03-61  
Череповец (8202)49-02-64  
Ярославль (4852)69-52-93

Единый адрес: [ccn@nt-rt.ru](mailto:ccn@nt-rt.ru) | <http://www.conec.nt-rt.ru>