

По вопросам продаж и поддержки обращайтесь:

Архангельск (8182)63-90-72
Астана (7172)727-132
Астрахань (8512)99-46-04
Барнаул (3852)73-04-60
Белгород (4722)40-23-64
Брянск (4832)59-03-52
Владивосток (423)249-28-31
Волгоград (844)278-03-48
Вологда (8172)26-41-59
Воронеж (473)204-51-73
Екатеринбург (343)384-55-89

Иваново (4932)77-34-06
Ижевск (3412)26-03-58
Казань (843)206-01-48
Калининград (4012)72-03-81
Калуга (4842)92-23-67
Кемерово (3842)65-04-62
Киров (8332)68-02-04
Краснодар (861)203-40-90
Красноярск (391)204-63-61
Курск (4712)77-13-04
Липецк (4742)52-20-81

Магнитогорск (3519)55-03-13
Москва (495)268-04-70
Мурманск (8152)59-64-93
Набережные Челны (8552)20-53-41
Нижний Новгород (831)429-08-12
Новокузнецк (3843)20-46-81
Новосибирск (383)227-86-73
Омск (3812)21-46-40
Орел (4862)44-53-42
Оренбург (3532)37-68-04
Пенза (8412)22-31-16

Пермь (342)205-81-47
Ростов-на-Дону (863)308-18-15
Рязань (4912)46-61-64
Самара (846)206-03-16
Санкт-Петербург (812)309-46-40
Саратов (845)249-38-78
Севастополь (8692)22-31-93
Симферополь (3652)67-13-56
Смоленск (4812)29-41-54
Сочи (862)225-72-31
Ставрополь (8652)20-65-13

Сургут (3462)77-98-35
Тверь (4822)63-31-35
Томск (3822)98-41-53
Тула (4872)74-02-29
Тюмень (3452)66-21-18
Ульяновск (8422)24-23-59
Уфа (347)229-48-12
Хабаровск (4212)92-98-04
Челябинск (351)202-03-61
Череповец (8202)49-02-64
Ярославль (4852)69-52-93

Единый адрес: ccn@nt-rt.ru | <http://www.conec.nt-rt.ru>

SECTION 11

VALVE CONNECTORS





VALVE CONNECTORS DT-SERIES

Nomenclature

DT06 - 2 S L - A / K1 / 0.75 / 2m

Type

DT06 = Housing for socket contact
DT04 = Housing for plug contact

Number of poles

2 = 2-pos.
3 = 3-pos.
4 = 4-pos.
6 = 6-pos.
8A = 8-pos. A-coded
12A = 12-pos. A-coded

Type

S = Socket
P = Plug

Line style

= Cable
L = Single wire (only 2-pos. version)

Termination protection hose

= Standard
G = with M12x1 thread

Protection circuit

A = without protection circuit
B = with LED protection circuit

Material cable

K1 = TPU, black highflexible, halogenfree, UL
A1 = PVC/single wire
other types upon request

Wire cross-section

0.75 = 0.75 mm²
other cross-section upon request

Cable length

2m = 2 meter
5m = 5 meter
10m = 10 meter

VALVE CONNECTORS DT-SERIES

Product specification

Basic material	
Contact	CuZn
Contact plating	Ni
Contact carrier	Thermoplastic
Overmould	TPU, UL94, translucent
Sealing	Silicone
Technical Data	
Rated voltage	12/24 V AC/DC [with LED and Protection circuit] 10 - 230 V AC/DC [without Protection circuit]
Current rating	8 A at 40°C [2-, 3-pos.] 7 A at 40°C [4-pos.] 6 A at 40°C [6-, 8-pos.] 5 A at 40°C [12-pos.]
Degree of protection	IP67 in mated condition
Temperature range connector	-40°C to +85°C
Temperature range cable	Fixed installation: -40°C to +80°C Flexible installation: -25°C to +80°C
Temperature range single wire	Fixed installation: -40°C to +105°C Flexible installation: -10°C to +105°C
Terminal cross section	0.75 mm ² /AWG 18
Housing	Deutsch DT06 /DT04
Protection circuit	Supressor diode + 2 x LED yellow

VALVE CONNECTORS SUPERSEAL-SERIES

Nomenclature

VSS1.5 - 2 S L - A / K1 / 0.75 / 2m

Type
VSS1.5

Number of poles

- 2 = 2-pos.
- 3 = 3-pos.
- 4 = 4-pos.

Type

- S = Socket
- P = Plug

Line style

- = Cable
- L = Single wire (only 2-pos. version)

Termination protection hose

- = Standard

Protection circuit

- A = without protection circuit

Material cable

- K1 = TPU, black highflexible, halogenfree, UL
- A1 = PVC/single wire
- other types upon request

Wire cross-section

- 0.75 = 0.75 mm²
- other cross-section upon request

Cable length

- 2m = 2 meter
- 5m = 5 meter
- 10m = 10 meter

VALVE CONNECTORS SUPERSEAL-SERIES

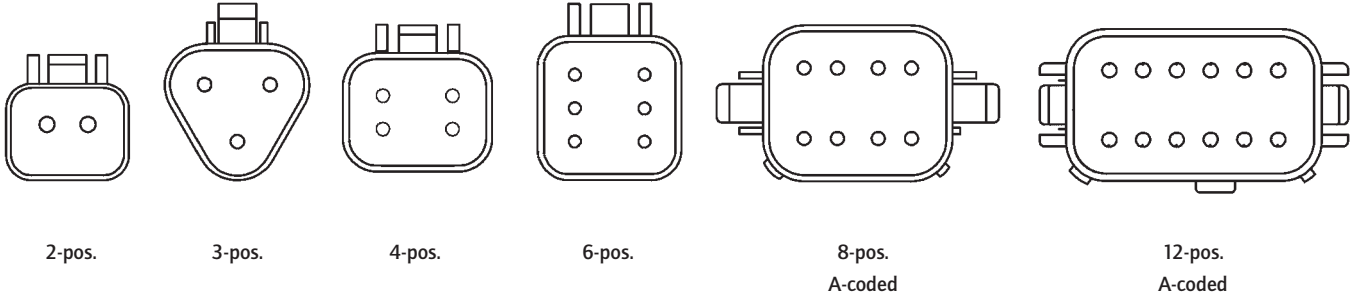
Product specification

Basic material	
Contact	CuZn
Contact plating	Sn
Contact carrier	Thermoplastic
Overmould	TPU, UL94, black
Sealing	Silicone
Technical Data	
Rated voltage	max. 24 V DC
Current rating	8 A at 40°C [2-, 3-pos.] 7 A at 40°C [4-pos.]
Degree of protection	IP67 in mated condition
Temperature range connector	-40°C to +85°C
Temperature range cable	Fixed installation: -40°C to +80°C Flexible installation: -25°C to +80°C
Temperature range single wire	Fixed installation: -40°C to +105°C Flexible installation: -10°C to +105°C
Terminal cross section	0.75 mm ² /AWG 18
Housing	Superseal 1.5, black

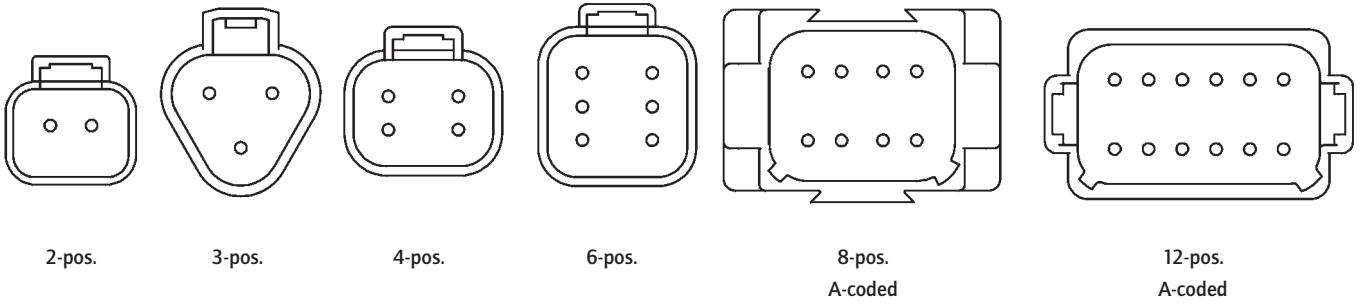
VALVE CONNECTORS

Overview pin assignment

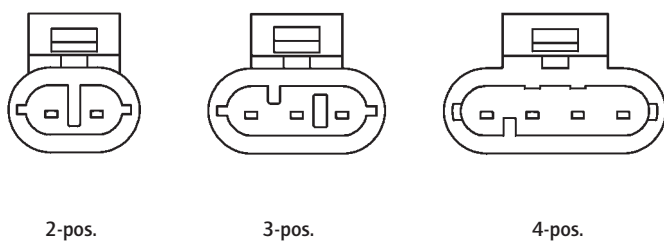
DT 06 (Housing for socket contacts)



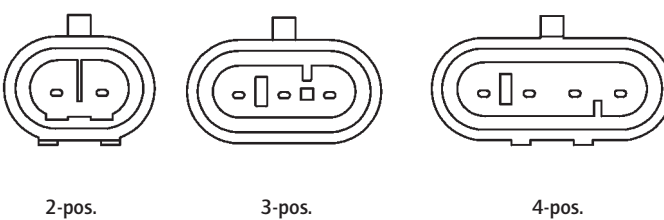
DT 04 (Housing for plug contacts)

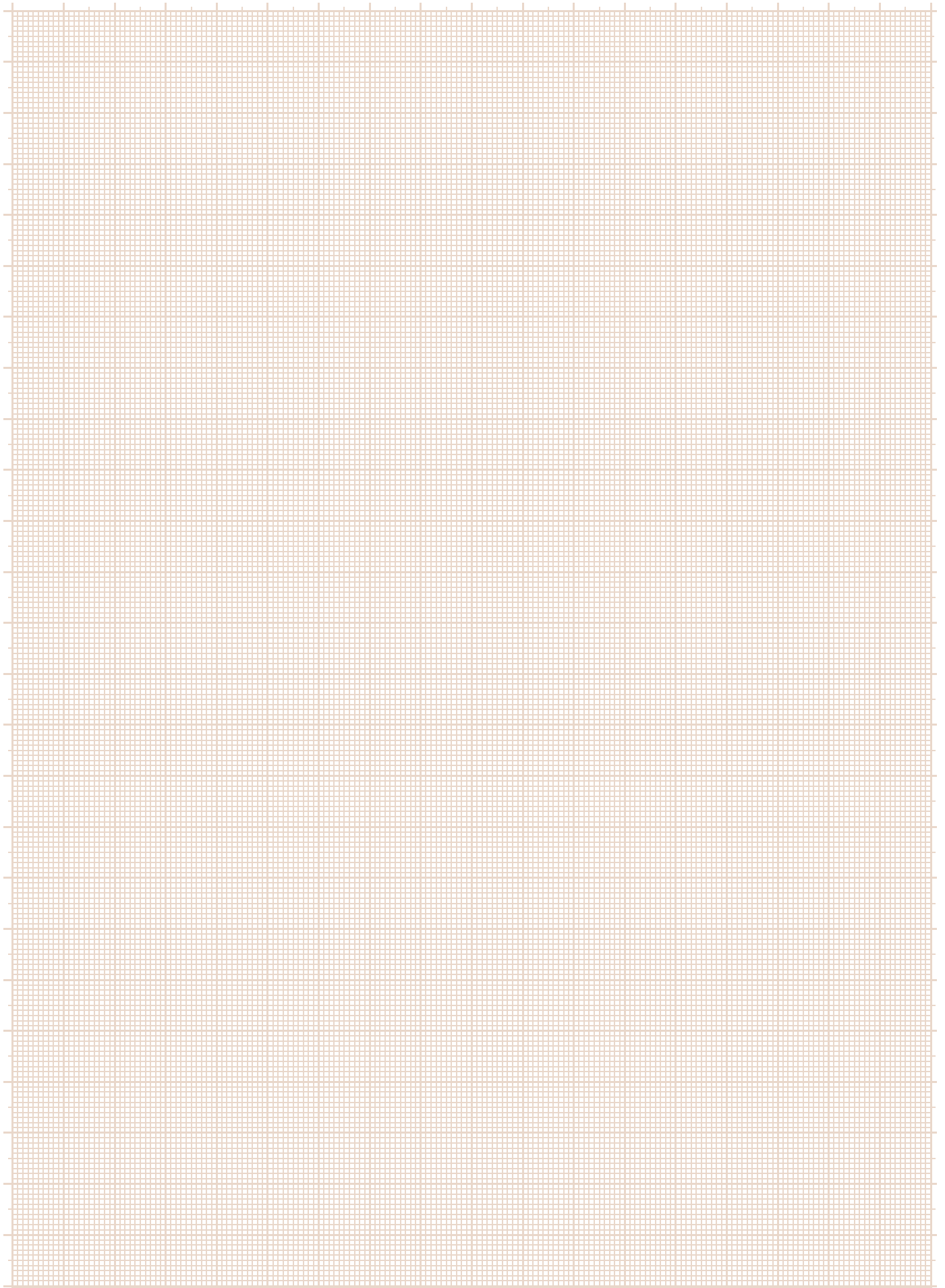


Superseal VSS1.5 (Housing for socket contacts)



Superseal VSS1.5 (Housing for plug contacts)




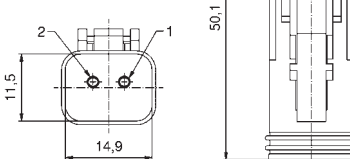
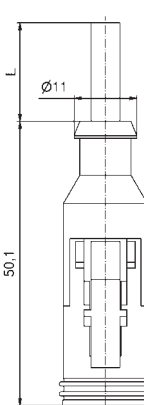


VALVE CONNECTORS


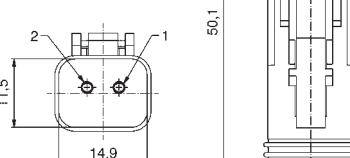
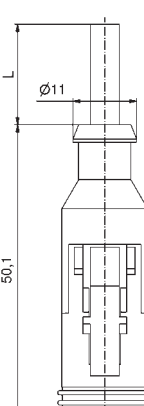
DT-Series

DT06, 2-pos., socket contacts, with LED-protection circuit

Contact assignment

		Number of poles	Rated voltage [V]	Current rating [A]	Cable length = L [m]	Cable quality	Wire cross section [mm ²]	Description	Part No.
 <p>with threaded connection</p> 		2	12/24 V AC/DC	8	PUR	2 x 0,75	DT06-2S-B/ K1/0.75/2m	55-00376	
							DT06-2S-B/ K1/0.75/5m	55-00377	
							DT06-2S-B/ K1/0.75/10m	55-00378	
							DT06-2SG-B/ K1/0.75/2m	55-00379	
							DT06-2SG-B/ K1/0.75/5m	55-00380	
							DT06-2SG-B/ K1/0.75/10m	55-00381	

DT06, 2-pos., socket contacts, without protection circuit

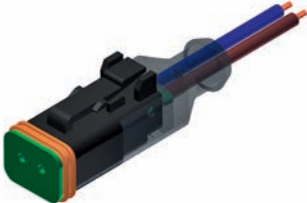
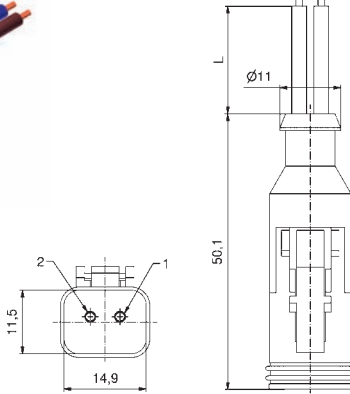
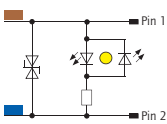
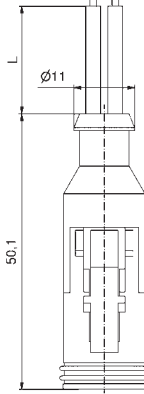
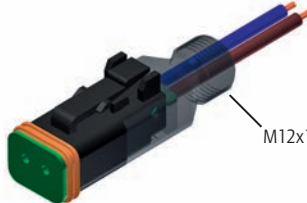
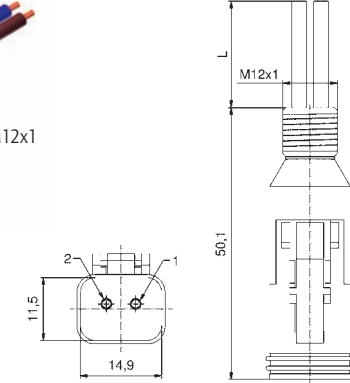
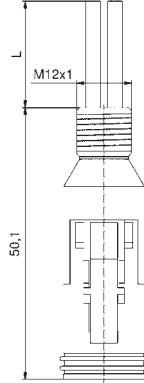
 <p>with threaded connection</p> 		2	10 - 230 V AC/DC	8	PUR	2 x 0,75	DT06-2S-A/ K1/0.75/2m	55-00388
							DT06-2S-A/ K1/0.75/5m	55-00389
							DT06-2S-A/ K1/0.75/10m	55-00390
							DT06-2SG-A/ K1/0.75/2m	55-00391
							DT06-2SG-A/ K1/0.75/5m	55-00392
							DT06-2SG-A/ K1/0.75/10m	55-00393

VALVE CONNECTORS

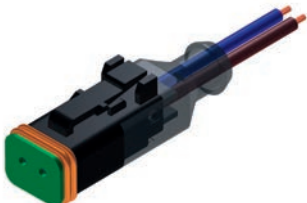
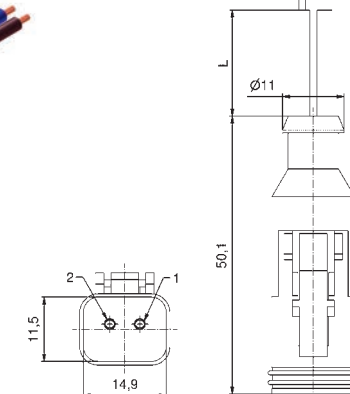

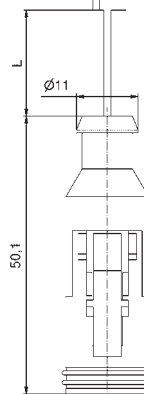
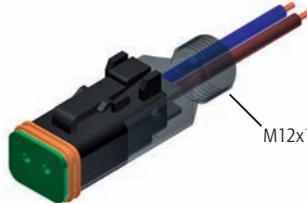
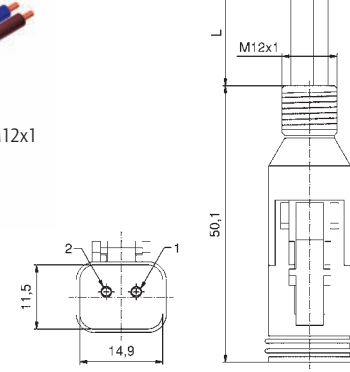
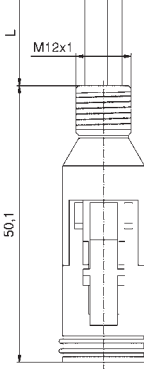
DT-Series, Single wire

DT06, 2-pos., socket contacts, with LED-protection circuit

Contact assignment

				Number of poles	Rated voltage [V]	Current rating [A]	Cable length = L [m]	Cable quality	Wire cross section [mm ²]	Description	Part No.
 with threaded connection				2	12/24 V AC/DC	8	PVC	2 x 0,75	DT06-2SL-B/ A1/0.75/0,5m	55-00560	
				2					DT06-2SL-B/ A1/0.75/2m	55-00482	
				5					DT06-2SL-B/ A1/0.75/5m	55-00561	
				0,5					DT06-2SLG-B/ A1/0.75/0,5m	55-00562	
				2					DT06-2SLG-B/ A1/0.75/2m	55-00483	
 with threaded connection			5	12/24 V AC/DC	8	PVC	2 x 0,75	DT06-2SLG-B/ A1/0.75/5m	55-00563		

DT06, 2-pos., socket contacts, without protection circuit

				Number of poles	Rated voltage [V]	Current rating [A]	Cable length = L [m]	Cable quality	Wire cross section [mm ²]	Description	Part No.
 with threaded connection				2	10 - 230 V AC/DC	8	PVC	2 x 0,75	DT06-2SL-A/ A1/0.75/0,5m	55-00564	
				2					DT06-2SL-A/ A1/0.75/2m	55-00565	
				5					DT06-2SL-A/ A1/0.75/5m	55-00566	
				0,5					DT06-2SLG-A/ A1/0.75/0,5m	55-00567	
				2					DT06-2SLG-A/ A1/0.75/2m	55-00568	
 with threaded connection			5	10 - 230 V AC/DC	8	PVC	2 x 0,75	DT06-2SLG-A/ A1/0.75/5m	55-00569		

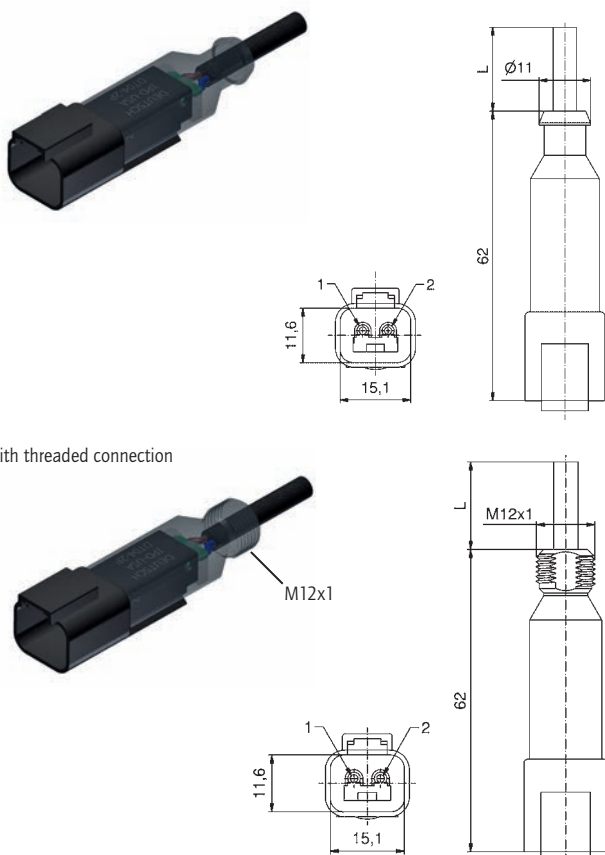
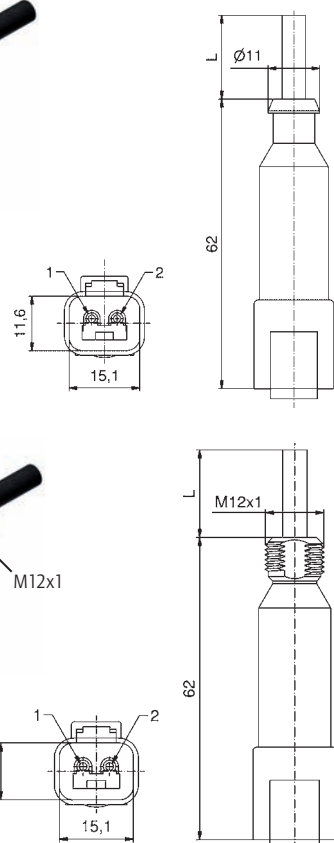
VALVE CONNECTORS

DT-Series

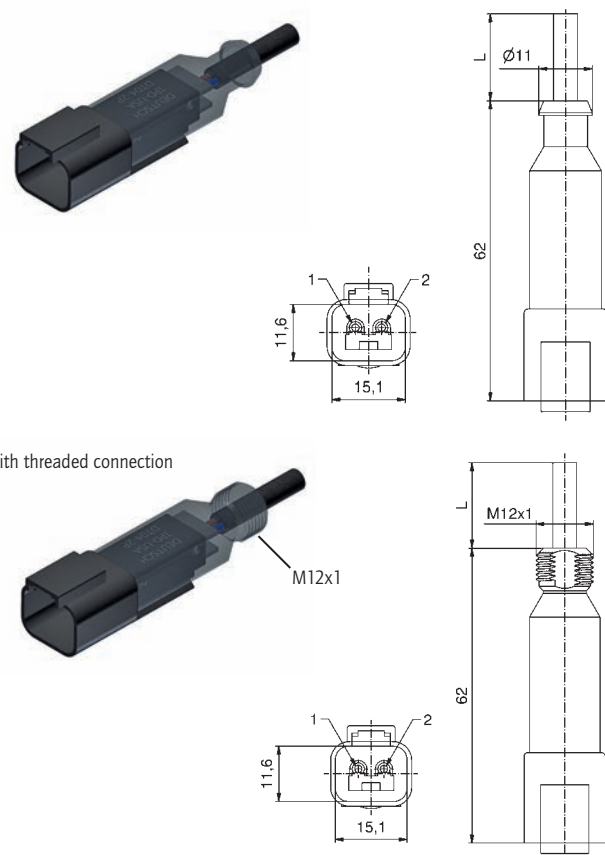
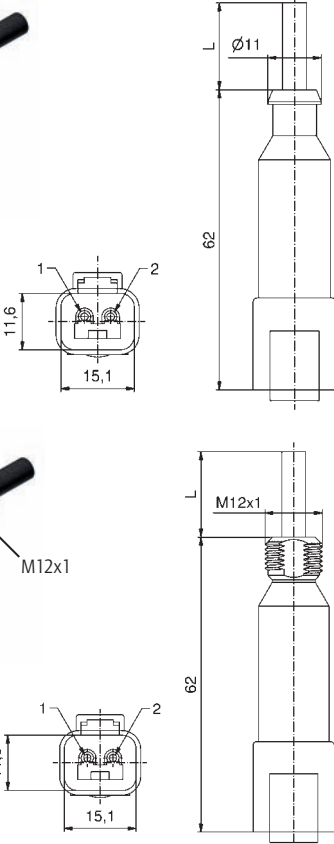
DT04, 2-pos., plug contacts, with LED-protection circuit

Contact assignment

Number of poles
Rated voltage [V]
Current rating [A]
Cable length = L [m]
Cable quality
Wire cross section [mm²]

		Number of poles	Rated voltage [V]	Current rating [A]	Cable length = L [m]	Cable quality	Wire cross section [mm ²]	Description	Part No.
 <p>with threaded connection</p>		2	12/24 V AC/DC	8	PUR	2 x 0,75	DT04-2P-B/ K1/0.75/2m	55-00442	
							DT04-2P-B/ K1/0.75/5m	55-00443	
							DT04-2P-B/ K1/0.75/10m	55-00444	
							DT04-2PG-B/ K1/0.75/2m	55-00445	
							DT04-2PG-B/ K1/0.75/5m	55-00446	
							DT04-2PG-B/ K1/0.75/10m	55-00447	

DT04, 2-pos., Plug contacts, without protection circuit

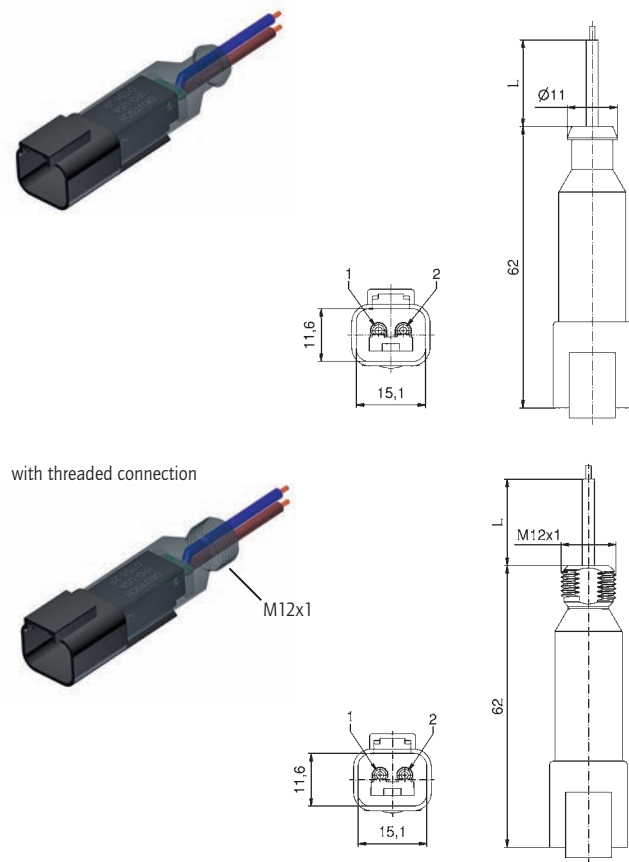
		Number of poles	Rated voltage [V]	Current rating [A]	Cable length = L [m]	Cable quality	Wire cross section [mm ²]	Description	Part No.
 <p>with threaded connection</p>		2	10 - 230 V AC/DC	8	PUR	2 x 0,75	DT04-2P-A/ K1/0.75/2m	55-00448	
							DT04-2P-A/ K1/0.75/5m	55-00449	
							DT04-2P-A/ K1/0.75/10m	55-00450	
							DT04-2PG-A/ K1/0.75/2m	55-00451	
							DT04-2PG-A/ K1/0.75/5m	55-00452	
							DT04-2PG-A/ K1/0.75/10m	55-00453	

VALVE CONNECTORS

DT-Series, Single wire

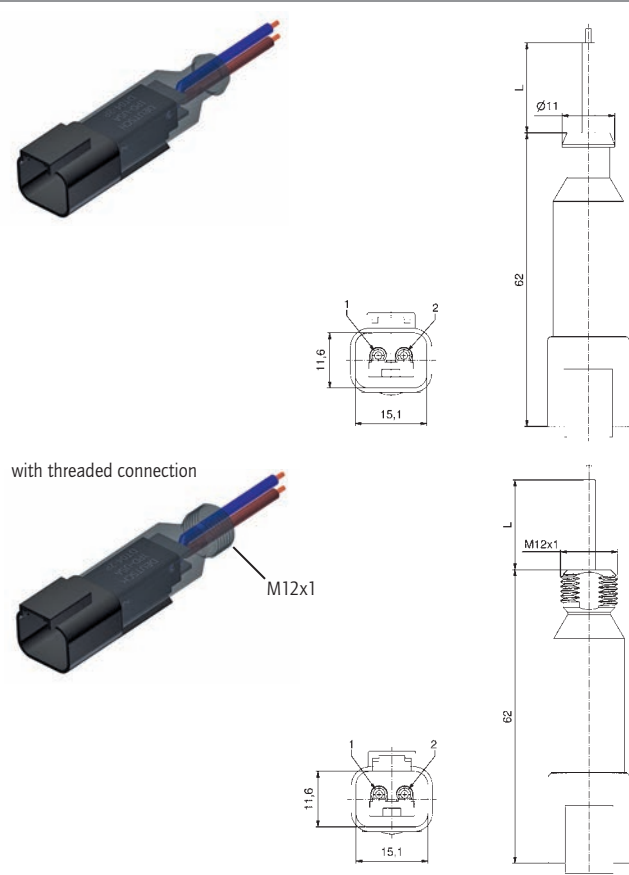
DT04, 2-pos., plug contacts, with LED-protection circuit

Contact assignment



Number of poles	Rated voltage [V]	Current rating [A]	Cable length = L [m]	Cable quality	Wire cross section [mm ²]	Description	Part No.
2	12/24 V AC/DC	8	PVC	2 x 0,75	0,5	DT04-2PL-B/ A1/0.75/0,5m	55-00570
					2	DT04-2PL-B/ A1/0.75/2m	55-00571
					5	DT04-2PL-B/ A1/0.75/5m	55-00572
					0,5	DT04-2PLG-B/ A1/0.75/0,5m	55-00573
					2	DT04-2PLG-B/ A1/0.75/2m	55-00574
5	DT04-2PLG-B/ A1/0.75/5m	55-00575					

DT04, 2-pos., plug contacts, without protection circuit




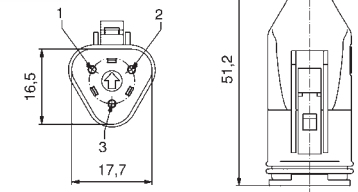
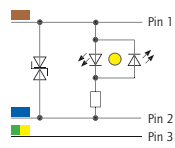
2	10 - 230 V AC/DC	8	PVC	2 x 0,75	0,5	DT04-2PL-A/ A1/0.75/0,5m	55-00576
					2	DT04-2PL-A/ A1/0.75/2m	55-00577
					5	DT04-2PL-A/ A1/0.75/5m	55-00578
					0,5	DT04-2PLG-A/ A1/0.75/0,5m	55-00579
					2	DT04-2PLG-A/ A1/0.75/2m	55-00580
5	DT04-2PLG-A/ A1/0.75/5m	55-00581					

VALVE CONNECTORS


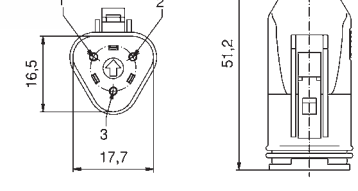
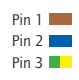
DT-Series

DT06, 3-pos., socket contacts, with LED-protection circuit

Contact assignment



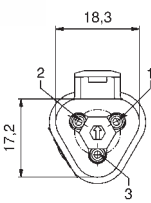
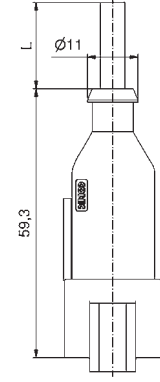
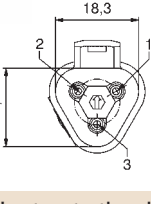
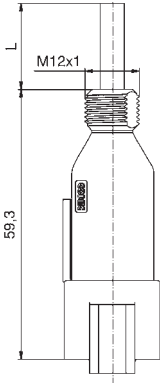
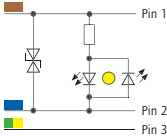


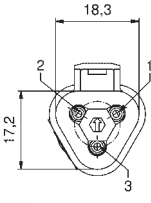
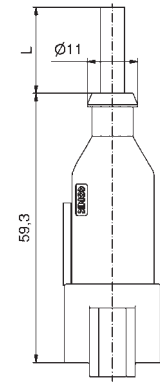
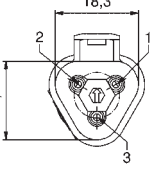
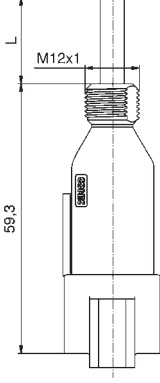
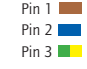
	Number of poles	Rated voltage [V]	Current rating [A]	Cable length = L [m]	Cable quality	Wire cross section [mm ²]	Description	Part No.
 <p>with threaded connection</p>  	3	12/24 V AC/DC	8	2	PUR	3 x 0,75	DT06-3S-B/ K1/0.75/2m	55-00411
	5			5			DT06-3S-B/ K1/0.75/5m	55-00412
	10			10			DT06-3S-B/ K1/0.75/10m	55-00413
	2			2			DT06-3SG-B/ K1/0.75/2m	55-00414
	5			5			DT06-3SG-B/ K1/0.75/5m	55-00415
	10			10			DT06-3SG-B/ K1/0.75/10m	55-00416

DT06, 3-pos., socket contacts, without protection circuit

 <p>with threaded connection</p>  	3	10 - 230 V AC/DC	8	2	PUR	3 x 0,75	DT06-3S-A/ K1/0.75/2m	55-00417
	5			5			DT06-3S-A/ K1/0.75/5m	55-00418
	10			10			DT06-3S-A/ K1/0.75/10m	55-00419
	2			2			DT06-3SG-A/ K1/0.75/2m	55-00420
	5			5			DT06-3SG-A/ K1/0.75/5m	55-00421
	10			10			DT06-3SG-A/ K1/0.75/10m	55-00422

VALVE CONNECTORS

DT-Series



DT04, 3-pos., plug contacts, with LED-protection circuit		DT04, 3-pos., socket contacts, without protection circuit										
Contact assignment												
Number of poles	Rated voltage [V]	Current rating [A]	Cable length = L [m]	Cable quality	Wire cross section [mm ²]	Description	Part No.					
 with threaded connection  M12x1     	3	12/24 V AC/DC	2	PUR	3 x 0,75	DT04-3P-B/ K1/0.75/2m	55-00423					
			5			DT04-3P-B/ K1/0.75/5m	55-00424					
			10			DT04-3P-B/ K1/0.75/10m	55-00425					
			8			DT04-3PG-B/ K1/0.75/2m	55-00426					
			5			DT04-3PG-B/ K1/0.75/5m	55-00427					
			10			DT04-3PG-B/ K1/0.75/10m	55-00428					
			 with threaded connection  M12x1     			3	10 - 230 V AC/DC	2	PUR	3 x 0,75	DT04-3P-A/ K1/0.75/2m	55-00429
								5			DT04-3P-A/ K1/0.75/5m	55-00430
								10			DT04-3P-A/ K1/0.75/10m	55-00431
								2			DT04-3PG-A/ K1/0.75/2m	55-00432
5	DT04-3PG-A/ K1/0.75/5m	55-00433										
10	DT04-3PG-A/ K1/0.75/10m	55-00434										

VALVE CONNECTORS



DT-Series

DT06, 4-pos., socket contacts, without protection circuit

Contact assignment

	Number of poles	Rated voltage [V]	Current rating [A]	Cable length = L [m]	Cable quality	Wire cross section [mm ²]	Description	Part No.
 with threaded connection  M12x1	4	10 - 230 V AC/DC	7	PUR	4 x 0,75	2	DT06-4S-A/ K1/0.75/2m	55-00487
						5	DT06-4S-A/ K1/0.75/5m	55-00488
						10	DT06-4S-A/ K1/0.75/10m	55-00489
						2	DT06-4SG-A/ K1/0.75/2m	55-00495
						5	DT06-4SG-A/ K1/0.75/5m	55-00496
						10	DT06-4SG-A/ K1/0.75/10m	55-00497

DT04, 4-pos., plug contacts, without protection circuit

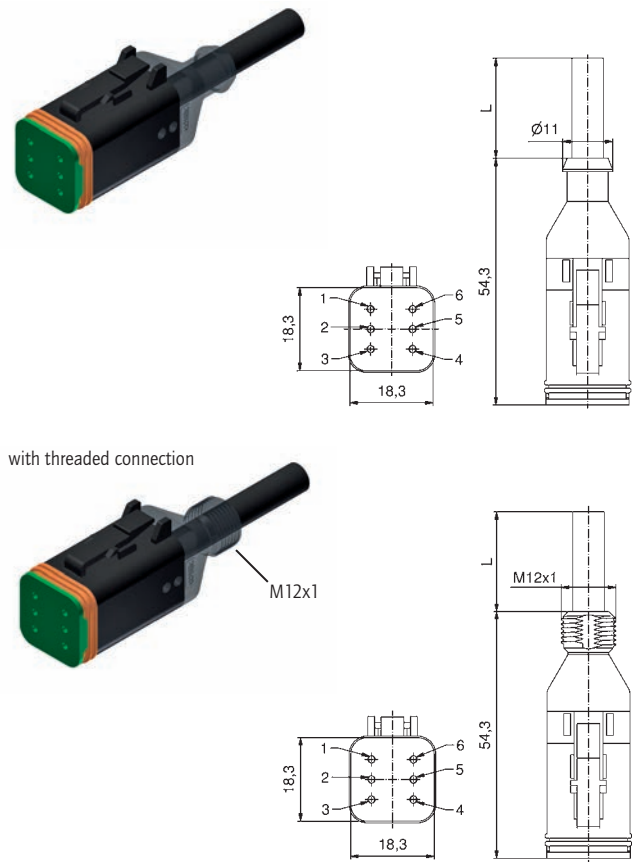
	Number of poles	Rated voltage [V]	Current rating [A]	Cable length = L [m]	Cable quality	Wire cross section [mm ²]	Description	Part No.
 with threaded connection  M12x1	4	10 - 230 V AC/DC	7	PUR	4 x 0,75	2	DT04-4P-A/ K1/0.75/2m	55-00490
						5	DT04-4P-A/ K1/0.75/5m	55-00491
						10	DT04-4P-A/ K1/0.75/10m	55-00492
						2	DT04-4PG-A/ K1/0.75/2m	55-00498
						5	DT04-4PG-A/ K1/0.75/5m	55-00499
						10	DT04-4PG-A/ K1/0.75/10m	55-00500

VALVE CONNECTORS

DT-Series

DT06, 6-pos., socket contacts, without protection circuit

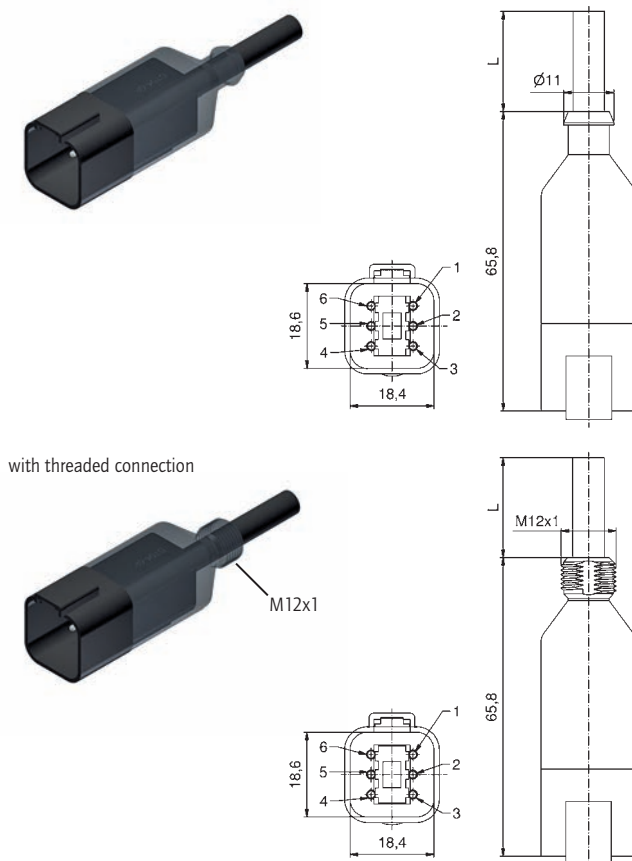
Contact assignment



- Pin 1 ■
- Pin 2 ■
- Pin 3 ■
- Pin 4 ■
- Pin 5 ■
- Pin 6 ■

Number of poles	Rated voltage [V]	Current rating [A]	Cable length = L [m]	Cable quality	Wire cross section [mm ²]	Description	Part No.
6	10 - 230V AC/DC	6	PUR	6 x 0,75	2	DT06-6S-A/ K1/0.75/2m	55-00501
					5	DT06-6S-A/ K1/0.75/5m	55-00502
					10	DT06-6S-A/ K1/0.75/10m	55-00503
					2	DT06-6SG-A/ K1/0.75/2m	55-00504
					5	DT06-6SG-A/ K1/0.75/5m	55-00505
					10	DT06-6SG-A/ K1/0.75/10m	55-00506

DT04, 6-pos., plug contacts, without protection circuit



- Pin 1 ■
- Pin 2 ■
- Pin 3 ■
- Pin 4 ■
- Pin 5 ■
- Pin 6 ■

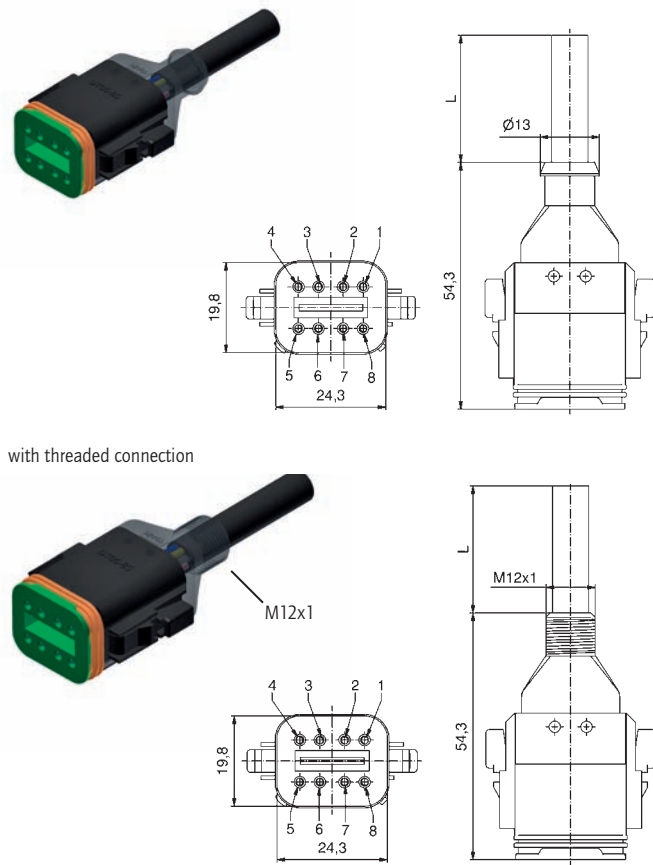
6	10 - 230 V AC/DC	6	PUR	6 x 0,75	2	DT04-6P-A/ K1/0.75/2m	55-00507
					5	DT04-6P-A/ K1/0.75/5m	55-00508
					10	DT04-6P-A/ K1/0.75/10m	55-00509
					2	DT04-6PG-A/ K1/0.75/2m	55-00510
					5	DT04-6PG-A/ K1/0.75/5m	55-00511
					10	DT04-6PG-A/ K1/0.75/10m	55-00512

VALVE CONNECTORS

DT-Series

DT06, 8-pos., socket contacts, without protection circuit

Contact assignment

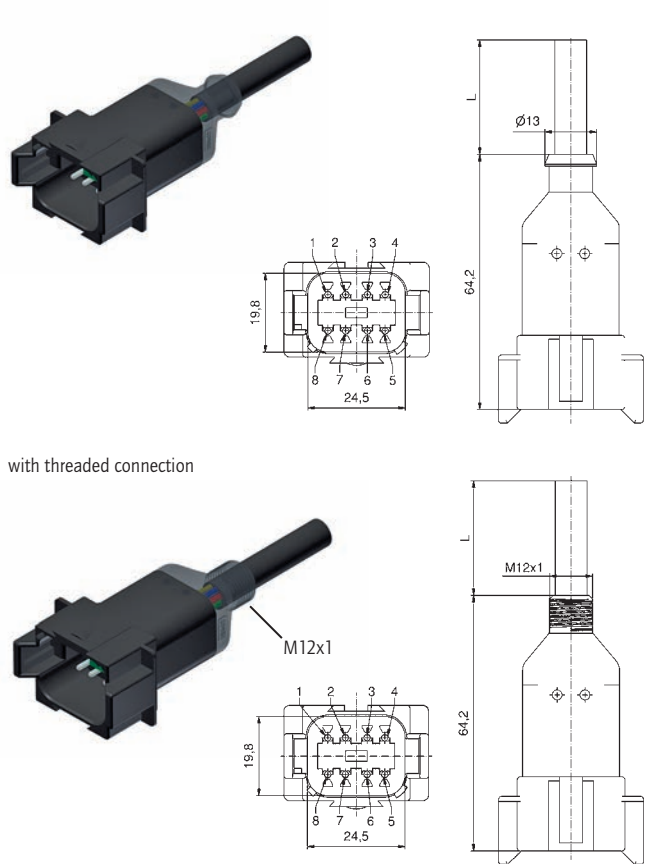


with threaded connection

- Pin 1 ■
- Pin 2 ■
- Pin 3 ■
- Pin 4 ■
- Pin 5 ■
- Pin 6 ■
- Pin 7 ■
- Pin 8 ■

Number of poles	Rated voltage [V]	Current rating [A]	Cable length = L [m]	Cable quality	Wire cross section [mm ²]	Description	Part No.
8	10 - 230 V AC/DC	6	PUR	8 x 0,75	2	DT06-8AS-A/ K1/0.75/2m	55-00526
					5	DT06-8AS-A/ K1/0.75/5m	55-00527
					10	DT06-8AS-A/ K1/0.75/10m	55-00528
					2	DT06-8ASG-A/ K1/0.75/2m	55-00532
					5	DT06-8ASG-A/ K1/0.75/5m	55-00533
					10	DT06-8ASG-A/ K1/0.75/10m	55-00534

DT04, 8-pos., plug contacts DT04, without protection circuit



with threaded connection

- Pin 1 ■
- Pin 2 ■
- Pin 3 ■
- Pin 4 ■
- Pin 5 ■
- Pin 6 ■
- Pin 7 ■
- Pin 8 ■

8	10 - 230 V AC/DC	6	PUR	8 x 0,75	2	DT04-8AP-A/ K1/0.75/2m	55-00529
					5	DT04-8AP-A/ K1/0.75/5m	55-00530
					10	DT04-8AP-A/ K1/0.75/10m	55-00531
					2	DT04-8APG-A/ K1/0.75/2m	55-00535
					5	DT04-8APG-A/ K1/0.75/5m	55-00536
					10	DT04-8APG-A/ K1/0.75/10m	55-00537

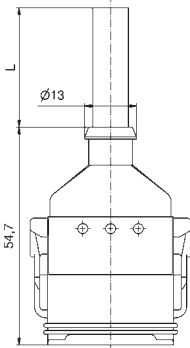
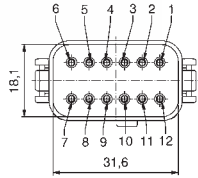
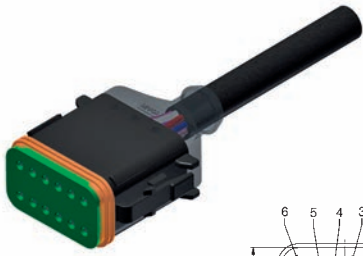
VALVE CONNECTORS

DT-Series

DT06, 12-pos., socket contacts, without protection circuit

Contact assignment

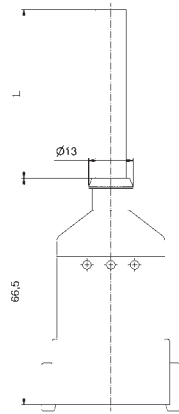
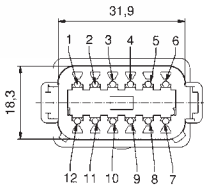
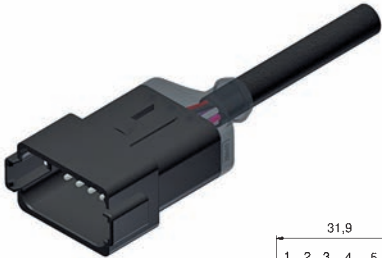
Number of poles	Rated voltage [V]	Current rating [A]	Cable length = L [m]	Cable quality	Wire cross section [mm ²]	Description	Part No.
12	10 - 230 V AC/DC	5	5	PUR	12 x 0,75	DT06-12AS-A/ K1/0.75/2m	55-00553
						DT06-12AS-A/ K1/0.75/5m	55-00554
						DT06-12AS-A/ K1/0.75/10m	55-00555



- Pin 1 ■
- Pin 2 ■
- Pin 3 ■
- Pin 4 ■
- Pin 5 ■
- Pin 6 ■
- Pin 7 ■
- Pin 8 ■
- Pin 9 ■
- Pin 10 ■
- Pin 11 ■
- Pin 12 ■

DT04, 12-pos., plug contacts, without protection circuit


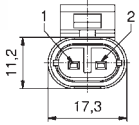
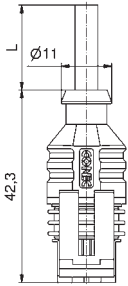

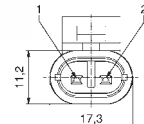
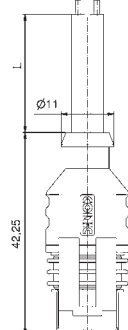

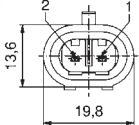
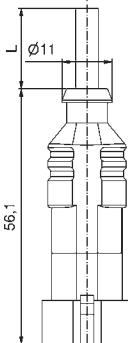

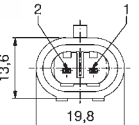
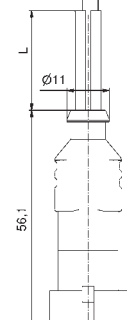
12	10 - 230 V AC/DC	5	5	PUR	12 x 0,75	DT04-12AP-A/ K1/0.75/2m	55-00556
						DT04-12AP-A/ K1/0.75/5m	55-00557
						DT04-12AP-A/ K1/0.75/10m	55-00558



- Pin 1 ■
- Pin 2 ■
- Pin 3 ■
- Pin 4 ■
- Pin 5 ■
- Pin 6 ■
- Pin 7 ■
- Pin 8 ■
- Pin 9 ■
- Pin 10 ■
- Pin 11 ■
- Pin 12 ■


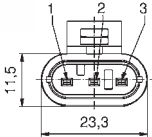
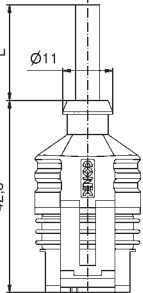

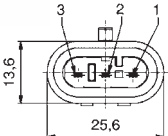
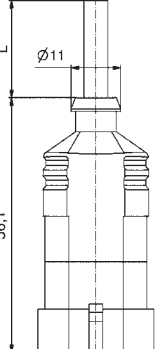

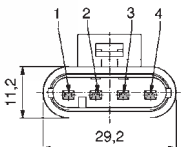
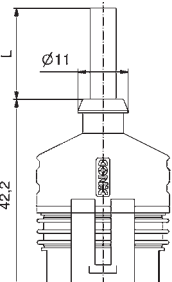
VALVE CONNECTORS

Superseal

		Number of poles	Rated voltage [V]	Current rating [A]	Cable length = L [m]	Cable quality	Wire cross section [mm ²]	Description	Part No.
VSS 1.5, 2-pos., socket contacts		Contact assignment							
   <p>Pin 1 ■ Pin 2 ■</p>	2	max. 24 V DC	8	5	PUR	2 x 0,75	VSS1.5-2S-A/ K1/0.75/2m	55-00470	
				10				VSS1.5-2S-A/ K1/0.75/5m	55-00471
								VSS1.5-2S-A/ K1/0.75/10m	55-00472
VSS 1.5, 2-pos., socket contacts, single wire									
   <p>Pin 1 ■ Pin 2 ■</p>	2	max. 24 V DC	8	2	PVC	2 x 0,75	VSS1.5-2SL-A/ A1/0.75/0,5m	55-00582	
				5				VSS1.5-2SL-A/ A1/0.75/2m	55-00583
								VSS1.5-2SL-A/ A1/0.75/5m	55-00584
VSS 1.5, 2-pos., plug contacts									
   <p>Pin 1 ■ Pin 2 ■</p>	2	max. 24 V DC	8	5	PUR	2 x 0,75	VSS1.5-2P-A/ K1/0.75/2m	55-00466	
				10				VSS1.5-2P-A/ K1/0.75/5m	55-00467
								VSS1.5-2P-A/ K1/0.75/10m	55-00468
VSS 1.5, 2-pos., plug contacts, single wire									
   <p>Pin 1 ■ Pin 2 ■</p>	2	max. 24 V DC	8	2	PVC	2 x 0,75	VSS1.5-2PL-A/ A1/0.75/0,5m	55-00585	
				5				VSS1.5-2PL-A/ A1/0.75/2m	55-00586
								VSS1.5-2PL-A/ A1/0.75/5m	55-00587

VALVE CONNECTORS

Superseal

VSS 1.5, 3-pos., socket contacts		Contact assignment	Number of poles	Rated voltage [V]	Current rating [A]	Cable length = L [m]	Cable quality	Wire cross section [mm ²]	Description	Part No.
   <p>Pin 1 ■ Pin 2 ■ Pin 3 ■</p>			3	max. 24 V DC	8	5	PUR	3 x 0,75	VSS1.5-3S-A/ K1/0.75/2m	55-00478
									VSS1.5-3S-A/ K1/0.75/5m	55-00479
									VSS1.5-3S-A/ K1/0.75/10m	55-00480
VSS 1.5, 3-pos., plug contacts										
   <p>Pin 1 ■ Pin 2 ■ Pin 3 ■</p>			3	max. 24 V DC	8	5	PUR	3 x 0,75 mm ²	VSS1.5-3P-A/ K1/0.75/2m	55-00474
									VSS1.5-3P-A/ K1/0.75/5m	55-00475
									VSS1.5-3P-A/ K1/0.75/10m	55-00476
VSS 1.5, 4-pos., socket contacts										
   <p>Pin 1 ■ Pin 2 ■ Pin 3 ■ Pin 4 ■</p>			4	max. 24 V DC	7	5	PUR	4 x 0,75	VSS1.5-4S-A/ K1/0.75/2m	55-00595
									VSS1.5-4S-A/ K1/0.75/5m	55-00596
									VSS1.5-4S-A/ K1/0.75/10m	55-00597

По вопросам продаж и поддержки обращайтесь:

Архангельск (8182)63-90-72
Астана (7172)727-132
Астрахань (8512)99-46-04
Барнаул (3852)73-04-60
Белгород (4722)40-23-64
Брянск (4832)59-03-52
Владивосток (423)249-28-31
Волгоград (844)278-03-48
Вологда (8172)26-41-59
Воронеж (473)204-51-73
Екатеринбург (343)384-55-89

Иваново (4932)77-34-06
Ижевск (3412)26-03-58
Казань (843)206-01-48
Калининград (4012)72-03-81
Калуга (4842)92-23-67
Кемерово (3842)65-04-62
Киров (8332)68-02-04
Краснодар (861)203-40-90
Красноярск (391)204-63-61
Курск (4712)77-13-04
Липецк (4742)52-20-81

Магнитогорск (3519)55-03-13
Москва (495)268-04-70
Мурманск (8152)59-64-93
Набережные Челны (8552)20-53-41
Нижний Новгород (831)429-08-12
Новокузнецк (3843)20-46-81
Новосибирск (383)227-86-73
Омск (3812)21-46-40
Орел (4862)44-53-42
Оренбург (3532)37-68-04
Пенза (8412)22-31-16

Пермь (342)205-81-47
Ростов-на-Дону (863)308-18-15
Рязань (4912)46-61-64
Самара (846)206-03-16
Санкт-Петербург (812)309-46-40
Саратов (845)249-38-78
Севастополь (8692)22-31-93
Симферополь (3652)67-13-56
Смоленск (4812)29-41-54
Сочи (862)225-72-31
Ставрополь (8652)20-65-13

Сургут (3462)77-98-35
Тверь (4822)63-31-35
Томск (3822)98-41-53
Тула (4872)74-02-29
Тюмень (3452)66-21-18
Ульяновск (8422)24-23-59
Уфа (347)229-48-12
Хабаровск (4212)92-98-04
Челябинск (351)202-03-61
Череповец (8202)49-02-64
Ярославль (4852)69-52-93

Единый адрес: ccn@nt-rt.ru | <http://www.conec.nt-rt.ru>