

По вопросам продаж и поддержки обращайтесь:

Архангельск (8182)63-90-72  
Астана (7172)727-132  
Астрахань (8512)99-46-04  
Барнаул (3852)73-04-60  
Белгород (4722)40-23-64  
Брянск (4832)59-03-52  
Владивосток (423)249-28-31  
Волгоград (844)278-03-48  
Вологда (8172)26-41-59  
Воронеж (473)204-51-73  
Екатеринбург (343)384-55-89

Иваново (4932)77-34-06  
Ижевск (3412)26-03-58  
Казань (843)206-01-48  
Калининград (4012)72-03-81  
Калуга (4842)92-23-67  
Кемерово (3842)65-04-62  
Киров (8332)68-02-04  
Краснодар (861)203-40-90  
Красноярск (391)204-63-61  
Курск (4712)77-13-04  
Липецк (4742)52-20-81

Магнитогорск (3519)55-03-13  
Москва (495)268-04-70  
Мурманск (8152)59-64-93  
Набережные Челны (8552)20-53-41  
Нижний Новгород (831)429-08-12  
Новокузнецк (3843)20-46-81  
Новосибирск (383)227-86-73  
Омск (3812)21-46-40  
Орел (4862)44-53-42  
Оренбург (3532)37-68-04  
Пенза (8412)22-31-16

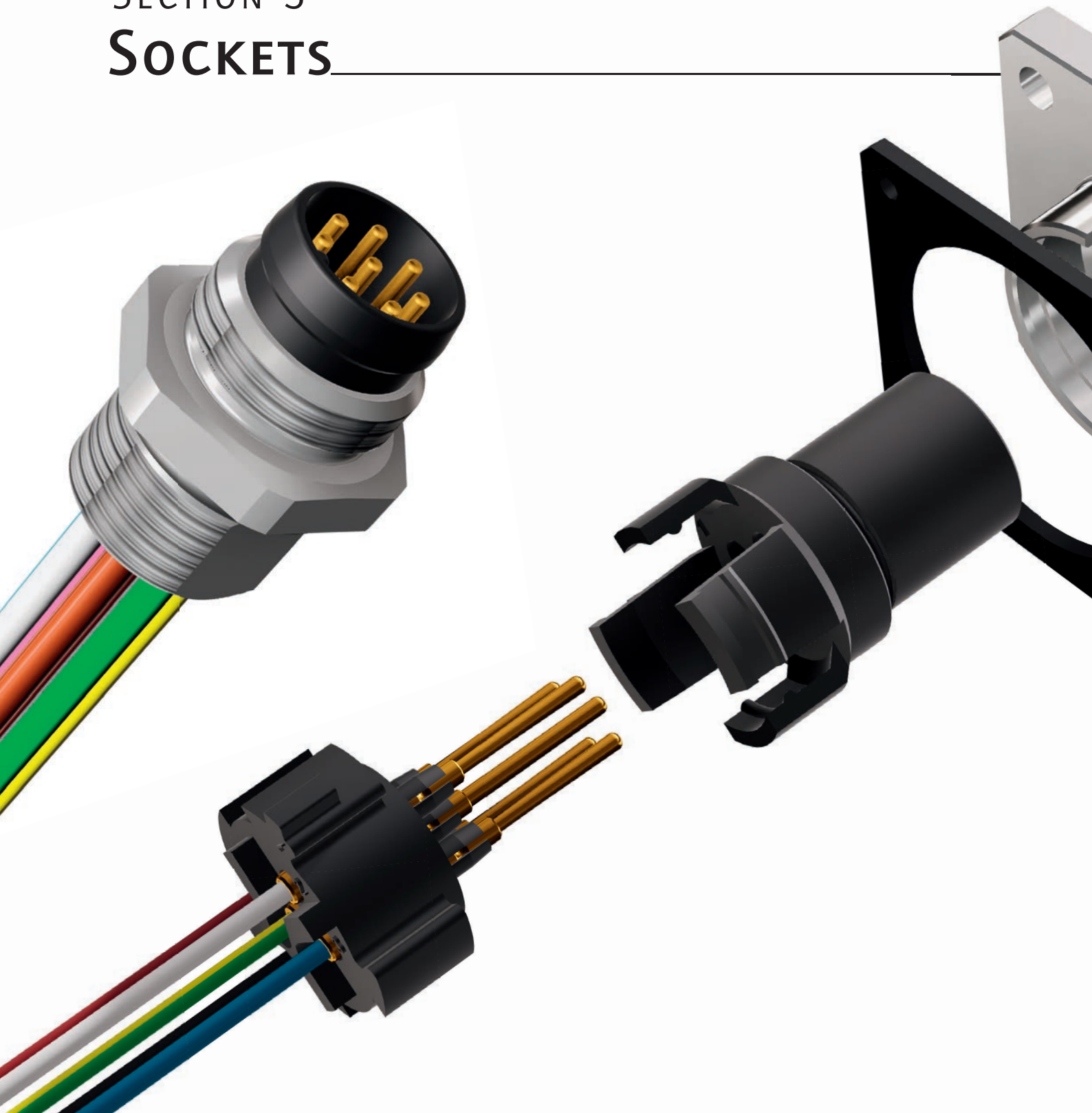
Пермь (342)205-81-47  
Ростов-на-Дону (863)308-18-15  
Рязань (4912)46-61-64  
Самара (846)206-03-16  
Санкт-Петербург (812)309-46-40  
Саратов (845)249-38-78  
Севастополь (8692)22-31-93  
Симферополь (3652)67-13-56  
Смоленск (4812)29-41-54  
Сочи (862)225-72-31  
Ставрополь (8652)20-65-13

Сургут (3462)77-98-35  
Тверь (4822)63-31-35  
Томск (3822)98-41-53  
Тула (4872)74-02-29  
Тюмень (3452)66-21-18  
Ульяновск (8422)24-23-59  
Уфа (347)229-48-12  
Хабаровск (4212)92-98-04  
Челябинск (351)202-03-61  
Череповец (8202)49-02-64  
Ярославль (4852)69-52-93

Единый адрес: [ccn@nt-rt.ru](mailto:ccn@nt-rt.ru) | <http://www.conec.nt-rt.ru>

## SECTION 3

# SOCKETS





# SAL M8x1/M12x1 SOCKETS

## Nomenclature

S A L - - 8 S - F K P D A 3 - - XX - 9 / G4

**SAL**  
Sensor Actor Line

**Type**  
= Standard

**Installation size**  
8 = M8x1  
12 = M12x1

**Coding**  
= A-coding (M12x1), Standard (M8x1)  
B = B-coding  
BS = B-coding shielded (M8x1)  
S = A-coding shielded (M12x1)

**Design**  
F = Socket  
I = Insolation body

**Gender**  
K = Female connector  
S = Male connector

**Assembly**  
= Front panel mounting  
P = Positioning possible, frontmounting  
H = Back panel mounting

**Type**  
D = Coupling nut turnable  
V = Square flange  
VO = Square flange with o-ring sealing

**Configuration**  
= Axial  
W = Angled

**Number of poles**  
3 = 3-pos.                      8 = 8-pos.  
4 = 4-pos.                      12 = 12-pos.  
5 = 5-pos.

**LED-Display**  
= Without LEDs  
4L = 4 LEDs

### Type of Connection/Installation height

X5 = Dip solder 5.5 mm	X11 = Dip solder 11.2 mm	P5,5 = Dip solder 5.5 mm
X6 = Dip solder 6 mm	X12 = Dip solder 12.2 mm	P6.75 = Dip solder 6.75 mm
X8 = Dip solder 8.2 mm	X13 = Dip solder 13 mm	P12 = Dip solder 12 mm
X9 = Dip solder 9 mm	X15 = Dip solder 15.2 mm	L = Solder termination
X10 = Dip solder 10 mm		XX = Wire/Cable lenght [m]

Pxx = Installation height one-piece socket  
Xxx = Installation height two-piece socket

### Screw connection

= M8x0.5	9 = PG9	20 = Square flange 20 x 20
= M8x1	11 = PG11	26 = Square flange 26 x 26
= M12x1	12 = M12x1	
= M16x1.5		

### Cable quality

G2 = TPU, black, UL  
G3 = PVC, grey, UL

# SAL M8x1 / M12x1 SOCKETS

## Product specification

<b>Basic material</b>	
Contact	CuZn
Contact plating	Nickel plated. gold plated
Contact carrier	PBT GF. UL 94 / PA. UL 94 / TPU GF. UL 94
Sealing	FPM / NBR
Counter nut	CuZn. nickel plated
Socket housing	CuZn. nickel plated
Sealing compound	Polyurethane-resin. UL 94
Shielding	Spring steel
Shielding plated	Sn plated
Coupling nut turnable	GD-Zn. nickel plated
Light conductor	PA 12

## Technical Data

Information on the following pages are basing on below mentioned IEC-standards.

Rated voltage	IEC 61076-2-104 / IEC 61076-2-101
Current rating	IEC 61076-2-104 / IEC 61076-2-101
Insulation resistance	IEC 60512
Degree of pollution	IEC 60664-1
Degree of protection	IEC 60529
Mating cycles	IEC 60512-9a

Recommended torque for housing: 0.8-1.2 Nm

Technical subject to change without notice.

# SAL 7/8" SOCKETS

## Nomenclature

S A L - 7 / 8 - F K 4 - 0,5 / -

<b>SAL</b> Sensor Actor Line	
<b>Installation size</b> 7/8 = 7/8"	
<b>Design</b> F = Socket	
<b>Gender</b> K = Female connector S = Male connector	
<b>Assembly</b> = Front panel mounting H = Back panel mounting	
<b>Number of poles</b> 2 PE = 2-pos. + PE 4 = 4-pos. 4 PE = 4-pos. + PE	
<b>Type of Connection/Installation height</b> P10 = Dip solder 10 mm      XX = Wire length [m] X10 = Dip solder 10 mm Pxx = Installation height one-piece socket Xxx = Installation height two-piece socket	
<b>Wire cross-section</b> = 0.75 mm <sup>2</sup> 150 = 1.50 mm <sup>2</sup> 250 = 2.50 mm <sup>2</sup>	
<b>Screw connection</b> = PG13.5 11 = PG11	

# SAL 7/8" SOCKETS

## Product specification

<b>Basic material</b>	
Contact	CuZn
Contact plating	Nickel plated. gold plated
Contact carrier	TPU. UL 94
Sealing	FPM
Counter nut	CuZn. nickel plated
Socket housing	CuZn. nickel plated
Sealing compound	Polyurethane-resin. UL 94

## Technical Data

Information on the following pages are basing on below mentioned IEC-standards.

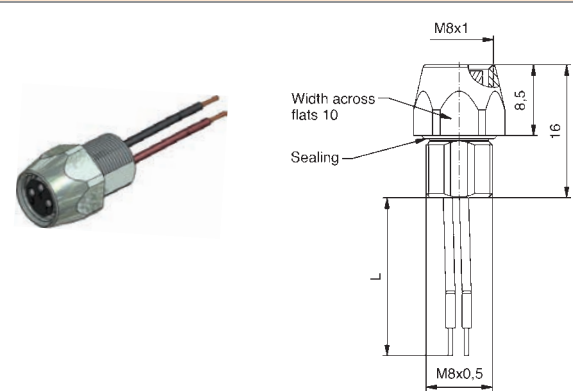
Rated voltage	IEC 60664-1
Overvoltage category	IEC 60664-1 2
Overvoltage impulse	IEC 60664-1 2.7kV
Current rating	IEC 60512-3
Insulation resistance	IEC 60512
Degree of pollution	IEC 60664-1
Degree of protection	IEC 60529
Mating cycles	IEC 60512-9a

Technical subject to change without notice.

## M8x1 SOCKETS

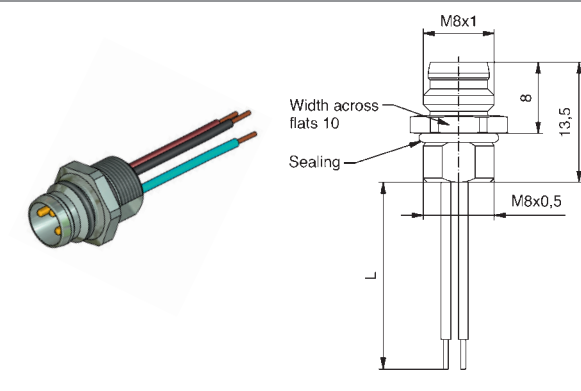
### Front panel mounting, wire termination

#### Female connector, M8x0.5 thread



Contact assignment	Number of poles	Coding	Rated voltage [V]	Current rating [A]	Wire material	Wire cross section [AWG]	Installation height [mm]	Description	Part No.
Pin 1  Pin 3  Pin 4	3		50 V AC/ 60 V DC	3	PVC	24	0,2	SAL-8-FK3-0,2	42-01000
Pin 1  Pin 2  Pin 3  Pin 4	4		50 V AC/ 60 V DC	3	PVC	24	0,2	SAL-8-FK4-0,2	42-01001
Pin 1  Pin 2  Pin 3  Pin 4  Pin 5	5	B	30	3	PVC	24	0,2	SAL-8B-FK5.1-0,2	42-01069
Pin 1  Pin 2  Pin 3  Pin 4  Pin 5  Pin 6  Pin 7  Pin 8	8	A	30	1,5	PVC	26	0,2	SAL-8-FK8-0,2	42-01070

#### Male connector, M8x0.5 thread

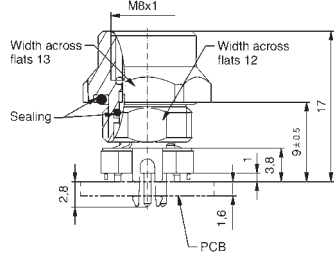


Pin 1  Pin 3  Pin 4	3		50 V AC/ 60 V DC	3	PVC	24	0,2	SAL-8-FS3-0,2	42-01032
Pin 1  Pin 2  Pin 3  Pin 4	4		50 V AC/ 60 V DC	3	PVC	24	0,2	SAL-8-FS4-0,2	42-01033
Pin 1  Pin 2  Pin 3  Pin 4  Pin 5  Pin 6  Pin 7  Pin 8	8	A	30	1,5	PVC	26	0,2	SAL-8-FS8-0,2	42-01165
Pin 1  Pin 2  Pin 3  Pin 4  Pin 5  Pin 6  Pin 7  Pin 8	8	A	30	1,5	PVC	26	0,2	SAL-8-FS8U-0,2	42-01164

## M8x1 SOCKETS

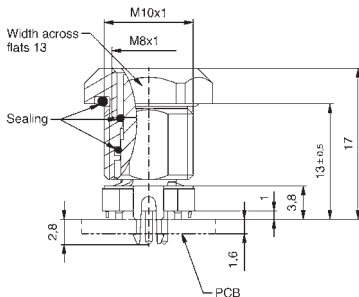
Front panel mounting, dip solder termination, shielded

Female connector axial, installation height 9 mm



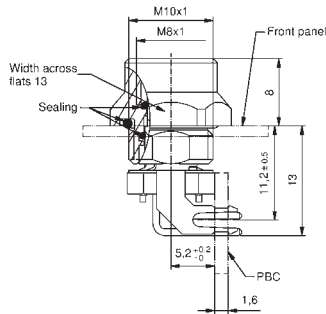
Number of poles	Coding	Rated voltage [V]	Current rating [A]	Installation height [mm]	Description	Part No.
3		50 V AC/ 60 V DC	4	9	SAL-8S-FK3-X9	42-01357
4		50 V AC/ 60 V DC	4	9	SAL-8S-FK4-X9	42-01365
5	B	30	4	9	SAL-8S-FK5-X9	42-01373
8	A	30	1,5	9	SAL-8S-FK8-X9	42-01385

Female connector axial, installation height 13 mm



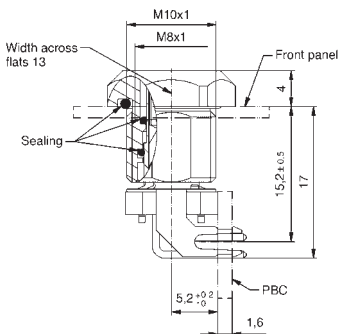
3		50 V AC/ 60 V DC	4	13	SAL-8S-FK3-X13	42-01358
4		50 V AC/ 60 V DC	4	13	SAL-8S-FK4-X13	42-01366
5	B	30	4	13	SAL-8S-FK5-X13	42-01374
8	A	30	1,5	13	SAL-8S-FK8-X13	42-01386

Female connector angled, installation height 11.2 mm



3		50 V AC/ 60 V DC	4	11,2	SAL-8S-FKW3-X11	42-01417
4		50 V AC/ 60 V DC	4	11,2	SAL-8S-FKW4-X11	42-01425

Female connector angled, installation height 15.2 mm



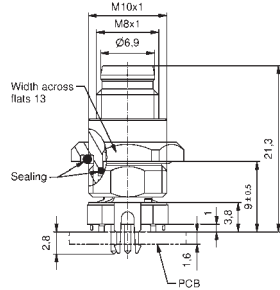
3		50 V AC/ 60 V DC	4	15,2	SAL-8S-FKW3-X15	42-01418
4		50 V AC/ 60 V DC	4	15,2	SAL-8S-FKW4-X15	42-01426



## M8x1 SOCKETS

Front panel mounting, dip solder termination, shielded

Male connector axial, installation height 9 mm



Number of poles

Coding

Rated voltage [V]

Current rating [A]

Installation height [mm]

Description

Part No.

3

50 V AC/  
60 V DC

4

9

SAL-8S-FS3-X9

42-01361

4

50 V AC/  
60 V DC

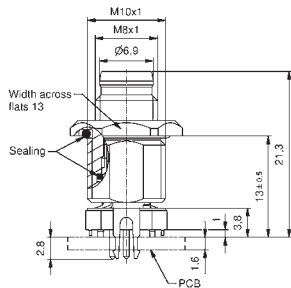
4

9

SAL-8S-FS4-X9

42-01369

Male connector axial, installation height 13 mm



3

50 V AC/  
60 V DC

4

13

SAL-8S-FS3-X13

42-01362

4

50 V AC/  
60 V DC

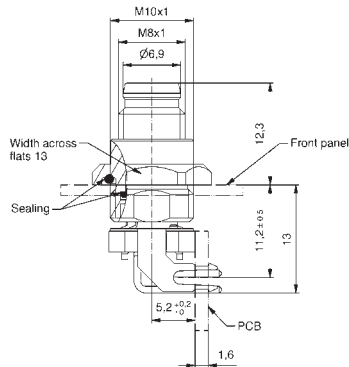
4

13

SAL-8S-FS4-X13

42-01370

Male connector angled, installation height 11.2 mm



3

50 V AC/  
60 V DC

4

11,2

SAL-8S-FSW3-X11

42-01421

4

50 V AC/  
60 V DC

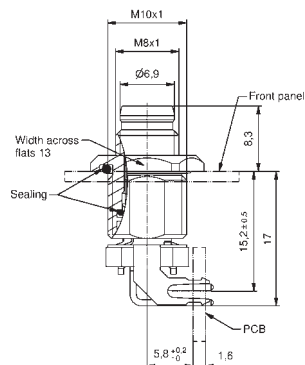
4

11,2

SAL-8S-FSW4-X11

42-01429

Male connector angled, installation height 15.2 mm



3

50 V AC/  
60 V DC

4

15,2

SAL-8S-FSW3-X15

42-01422

4

50 V AC/  
60 V DC

4

15,2

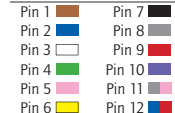
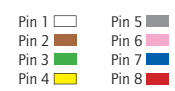
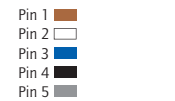
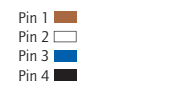
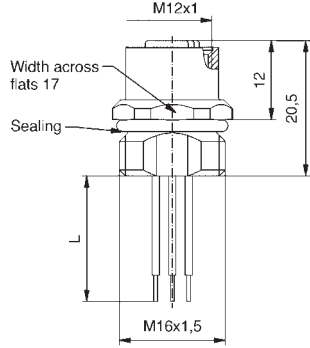
SAL-8S-FSW4-X15

42-01430

# M12x1 SOCKETS

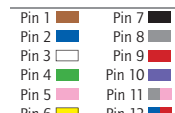
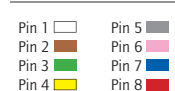
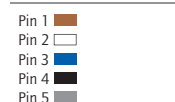
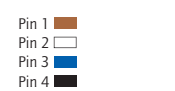
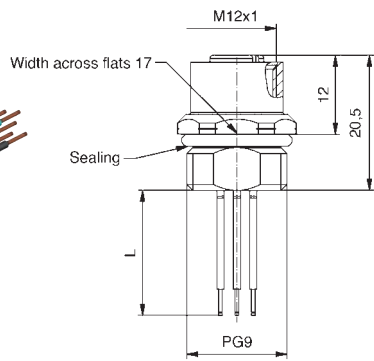
## Front panel mounting, wire termination

### Female connector, M16x1.5 thread



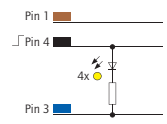
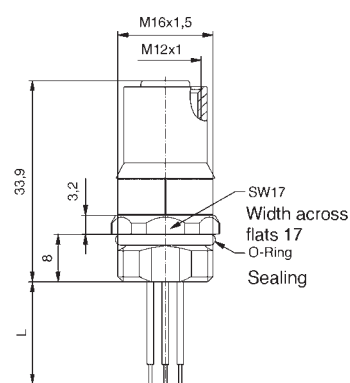
Number of poles	Coding	Rated voltage [V]	Current rating [A]	Wire material	Wire cross section [AWG]	Wire length = L [m]	Description	Part No.
4	A	250	4	PVC	24	0,5	SAL-12-FK4-0,5	43-01000
5	A	60	4	PVC	24	0,5	SAL-12-FK5-0,5	43-01001
5	A	60	4	PVC	24	0,5	SAL-12-FK5.1-0,5	43-01045
8	A	30	2	PVC	24	0,5	SAL-12-FK8-0,5	43-01002
12	A	30	1,5	PVC	26	0,5	SAL-12-FK12-0,5	43-01331

### Female connector, PG9 thread



4	A	250	4	PVC	24	0,5	SAL-12-FK4-0,5-9	43-01073
5	A	60	4	PVC	24	0,5	SAL-12-FK5-0,5-9	43-01075
5	A	60	4	PVC	24	0,5	SAL-12-FK5.1-0,5-9	43-01074
8	A	30	2	PVC	24	0,5	SAL-12-FK8-0,5-9	43-01097
12	A	30	1,5	PVC	26	0,5	SAL-12-FK12-0,5-9	43-01345

### Female connector with LED, M16x1.5 thread

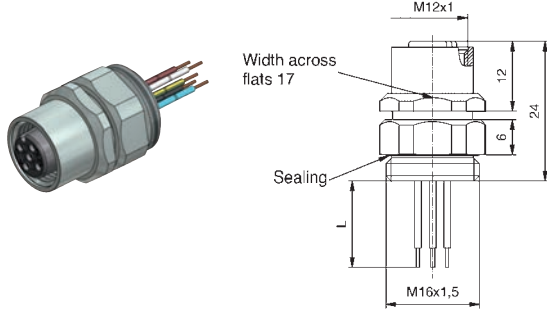


3	A	10-30	4	PVC	22	0,5	SAL-12- FK3-4L,0,5	43-01867
---	---	-------	---	-----	----	-----	--------------------	----------

# M12x1 SOCKETS

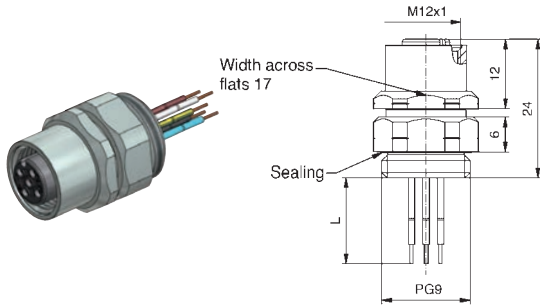
## Front panel mounting, wire termination

### Female connector positioning possible, M16x1.5 thread



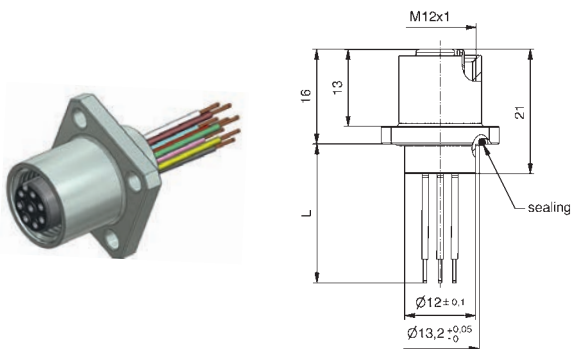
Contact assignment	Number of poles	Coding	Rated voltage [V]	Current rating [A]	Wire material	Wire cross section [AWG]	Wire length = L [m]	Description	Part No.
Pin 1  Pin 2  Pin 3  Pin 4	4	A	250	4	PVC	24	0,5	SAL-12-FKP4-0,5	43-01006
Pin 1  Pin 2  Pin 3  Pin 4  Pin 5	5	A	60	4	PVC	24	0,5	SAL-12-FKP5-0,5	43-01007
Pin 1  Pin 2  Pin 3  Pin 4  Pin 5	5	A	60	4	PVC	24	0,5	SAL-12-FKP5.1-0,5	43-01053
Pin 1  Pin 2  Pin 3  Pin 4  Pin 5  Pin 6  Pin 7  Pin 8	8	A	30	2	PVC	24	0,5	SAL-12-FKP8-0,5	43-01008
Pin 1  Pin 2  Pin 3  Pin 4  Pin 5  Pin 6  Pin 7  Pin 8  Pin 9  Pin 10  Pin 11  Pin 12	12	A	30	1,5	PVC	26	0,5	SAL-12-FKP12-0,5	43-01341

### Female connector positioning possible, PG9 thread



Pin 1  Pin 2  Pin 3  Pin 4	4	A	250	4	PVC	24	0,5	SAL-12-FKP4-0,5-9	43-01091
Pin 1  Pin 2  Pin 3  Pin 4  Pin 5	5	A	60	4	PVC	24	0,5	SAL-12-FKP5-0,5-9	43-01093
Pin 1  Pin 2  Pin 3  Pin 4  Pin 5	5	A	60	4	PVC	24	0,5	SAL-12-FKP5.1-0,5-9	43-01092
Pin 1  Pin 2  Pin 3  Pin 4  Pin 5  Pin 6  Pin 7  Pin 8	8	A	30	2	PVC	24	0,5	SAL-12-FKP8-0,5-9	43-01101
Pin 1  Pin 2  Pin 3  Pin 4  Pin 5  Pin 6  Pin 7  Pin 8  Pin 9  Pin 10  Pin 11  Pin 12	12	A	30	1,5	PVC	26	0,5	SAL-12-FKP12-0,5-9	43-01347

### Female connector, square flange 20 mm



Pin 1  Pin 2  Pin 3  Pin 4	4	A	250	4	PVC	24	0,5	SAL-12-FKV04-0,5-20	43-02084
Pin 1  Pin 2  Pin 3  Pin 4  Pin 5	5	A	60	4	PVC	24	0,5	SAL-12-FKV05-0,5-20	43-02085
Pin 1  Pin 2  Pin 3  Pin 4  Pin 5	5	A	60	4	PVC	24	0,5	SAL-12-FKV05.1-0,5-20	43-02087
Pin 1  Pin 2  Pin 3  Pin 4  Pin 5  Pin 6  Pin 7  Pin 8	8	A	30	2	PVC	24	0,5	SAL-12-FKV08-0,5-20	43-02086
Pin 1  Pin 2  Pin 3  Pin 4  Pin 5  Pin 6  Pin 7  Pin 8  Pin 9  Pin 10  Pin 11  Pin 12	12	A	30	1,5	PVC	26	0,5	SAL-12-FKV12-0,5-20	43-02088

# M12x1 SOCKETS

Front panel mounting, wire termination

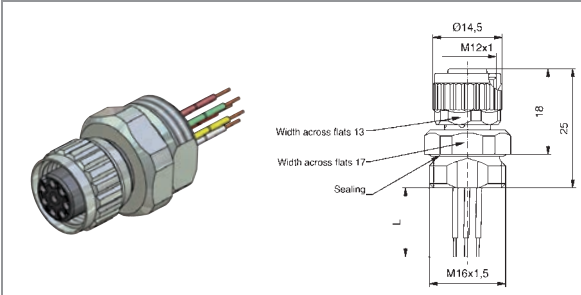
## Female connector, coupling nut turnable, M16x1.5 thread

### Contact assignment

Number of poles	Coding	Rated voltage [V]	Current rating [A]	Wire material	Wire cross section [AWG]	Wire length = L [m]
4	A	250	4	PVC	24	0,05
5	A	60	4	PVC	24	0,05
8	A	30	2	PVC	24	0,05

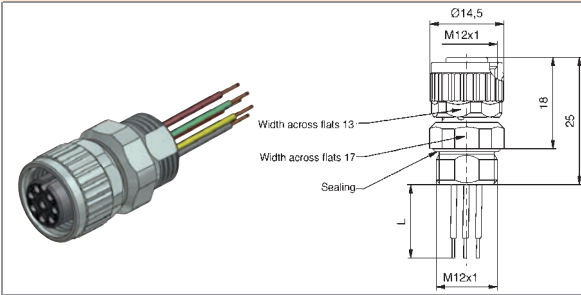
### Description

### Part No.



Pin 1	Pin 5	4	A	250	4	PVC	24	0,05	SAL-12-FKD4-0,05	43-01378
Pin 2	Pin 6									
Pin 3	Pin 7									
Pin 4	Pin 8									
Pin 1	Pin 5	5	A	60	4	PVC	24	0,05	SAL-12-FKD5-0,05	43-01381
Pin 2	Pin 6									
Pin 3	Pin 7									
Pin 4	Pin 8									
Pin 1	Pin 5	8	A	30	2	PVC	24	0,05	SAL-12-FKD8-0,05	43-01492
Pin 2	Pin 6									
Pin 3	Pin 7									
Pin 4	Pin 8									

## Female connector, coupling nut turnable, M12x1 thread

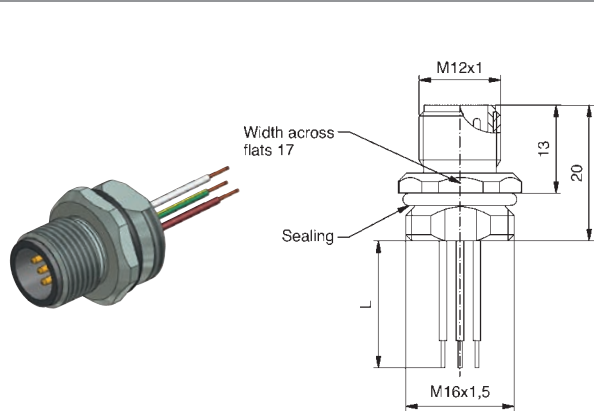


Pin 1	Pin 5	4	A	250	4	PVC	24	0,05	SAL-12-FKD4-0,05-12	43-01493
Pin 2	Pin 6									
Pin 3	Pin 7									
Pin 4	Pin 8									
Pin 1	Pin 5	5	A	60	4	PVC	24	0,05	SAL-12-FKD5-0,05-12	43-01494
Pin 2	Pin 6									
Pin 3	Pin 7									
Pin 4	Pin 8									
Pin 1	Pin 5	8	A	30	2	PVC	24	0,05	SAL-12-FKD8-0,05-12	43-01495
Pin 2	Pin 6									
Pin 3	Pin 7									
Pin 4	Pin 8									

# M12x1 SOCKETS

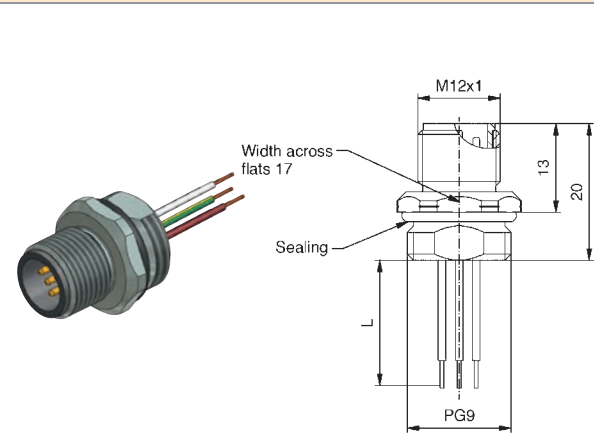
## Front panel mounting, wire termination

### Male connector, M16x1.5 thread



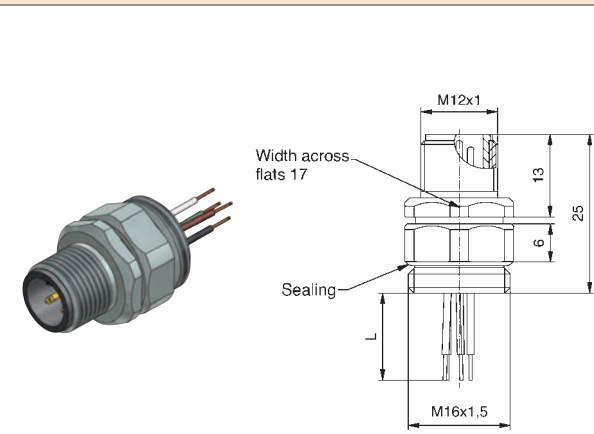
Contact assignment	Number of poles	Coding	Rated voltage [V]	Current rating [A]	Wire material	Wire cross section [AWG]	Wire lenght = L [m]	Description	Part No.
Pin 1  Pin 2  Pin 3  Pin 4	4	A	250	4	PVC	24	0,5	SAL-12-FS4-0,5	43-01009
Pin 1  Pin 2  Pin 3  Pin 4  Pin 5	5	A	60	4	PVC	24	0,5	SAL-12-FS5-0,5	43-01010
Pin 1  Pin 2  Pin 3  Pin 4  Pin 5	5	A	60	4	PVC	24	0,5	SAL-12-FS5.1-0,5	43-01049
Pin 1  Pin 2  Pin 3  Pin 4  Pin 5  Pin 6  Pin 7  Pin 8	8	A	30	2	PVC	24	0,5	SAL-12-FS8-0,5	43-01011
Pin 1  Pin 2  Pin 3  Pin 4  Pin 5  Pin 6  Pin 7  Pin 8  Pin 9  Pin 10  Pin 11  Pin 12	12	A	30	1,5	PVC	26	0,5	SAL-12-FS12-0,5	43-01330

### Male connector, PG9 thread



Pin 1  Pin 2  Pin 3  Pin 4	4	A	250	4	PVC	24	0,5	SAL-12-FS4-0,5-9	43-01082
Pin 1  Pin 2  Pin 3  Pin 4  Pin 5	5	A	60	4	PVC	24	0,5	SAL-12-FS5-0,5-9	43-01084
Pin 1  Pin 2  Pin 3  Pin 4  Pin 5	5	A	60	4	PVC	24	0,5	SAL-12-FS5.1-0,5-9	43-01083
Pin 1  Pin 2  Pin 3  Pin 4  Pin 5  Pin 6  Pin 7  Pin 8	8	A	30	2	PVC	24	0,5	SAL-12-FS8-0,5-9	43-01099
Pin 1  Pin 2  Pin 3  Pin 4  Pin 5  Pin 6  Pin 7  Pin 8  Pin 9  Pin 10  Pin 11  Pin 12	12	A	30	1,5	PVC	26	0,5	SAL-12-FS12-0,5-9	43-01346

### Male connector positioning possible, M16x1.5 thread

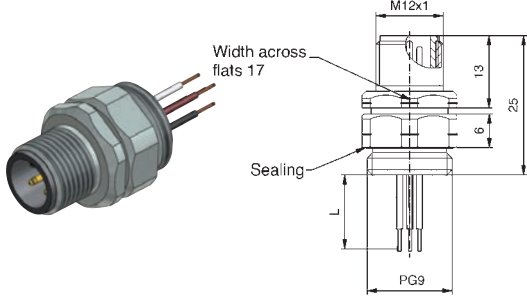


Pin 1  Pin 2  Pin 3  Pin 4	4	A	250	4	PVC	24	0,5	SAL-12-FSP4-0,5	43-01015
Pin 1  Pin 2  Pin 3  Pin 4  Pin 5	5	A	60	4	PVC	24	0,5	SAL-12-FSP5-0,5	43-01016
Pin 1  Pin 2  Pin 3  Pin 4  Pin 5	5	A	60	4	PVC	24	0,5	SAL-12-FSP5.1-0,5	43-01054
Pin 1  Pin 2  Pin 3  Pin 4  Pin 5  Pin 6  Pin 7  Pin 8	8	A	30	2	PVC	24	0,5	SAL-12-FSP8-0,5	43-01017
Pin 1  Pin 2  Pin 3  Pin 4  Pin 5  Pin 6  Pin 7  Pin 8  Pin 9  Pin 10  Pin 11  Pin 12	12	A	30	1,5	PVC	26	0,5	SAL-12-FSP12-0,5	43-01342

# M12x1 SOCKETS

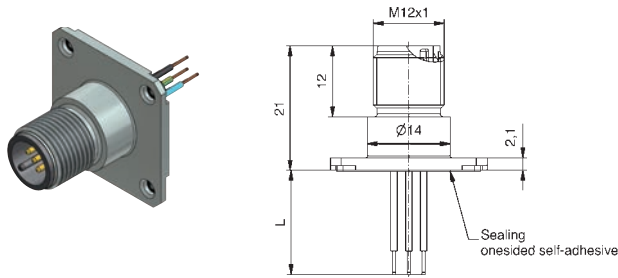
## Front panel mounting, wire termination

Male connector positioning possible, PG9 thread



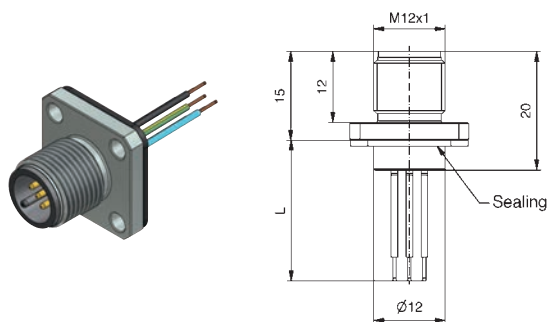
Contact assignment	Number of poles	Coding	Rated voltage [V]	Current rating [A]	Wire material	Wire cross section [AWG]	Wire length = L [m]	Description	Part No.
Pin 1  Pin 2  Pin 3  Pin 4	4	A	250	4	PVC	24	0,5	SAL-12-FSP4-0,5-9	43-01094
Pin 1  Pin 2  Pin 3  Pin 4  Pin 5	5	A	60	4	PVC	24	0,5	SAL-12-FSP5-0,5-9	43-01096
Pin 1  Pin 2  Pin 3  Pin 4  Pin 5	5	A	60	4	PVC	24	0,5	SAL-12-FSP5.1-0,5-9	43-01095
Pin 1  Pin 2  Pin 3  Pin 4  Pin 5  Pin 6  Pin 7  Pin 8	8	A	30	2	PVC	24	0,5	SAL-12-FSP8-0,5-9	43-01102
Pin 1  Pin 2  Pin 3  Pin 4  Pin 5  Pin 6  Pin 7  Pin 8  Pin 9  Pin 10  Pin 11  Pin 12	12	A	30	1,5	PVC	26	0,5	SAL-12-FSP12-0,5-9	43-01348

Male connector, square flange 26 mm



Pin 1  Pin 2  Pin 3  Pin 4	4	A	250	4	PVC	24	0,5	SAL-12-FSV4-0,5-26	43-01351
Pin 1  Pin 2  Pin 3  Pin 4  Pin 5	5	A	60	4	PVC	24	0,5	SAL-12-FSV5-0,5-26	43-01352
Pin 1  Pin 2  Pin 3  Pin 4  Pin 5  Pin 6  Pin 7  Pin 8	8	A	30	2	PVC	24	0,5	SAL-12-FSV8-0,5-26	43-01353
Pin 1  Pin 2  Pin 3  Pin 4  Pin 5  Pin 6  Pin 7  Pin 8  Pin 9  Pin 10  Pin 11  Pin 12	12	A	30	1,5	PVC	26	0,5	SAL-12-FSV12-0,5-26	43-01354

Male connector, square flange 20 mm

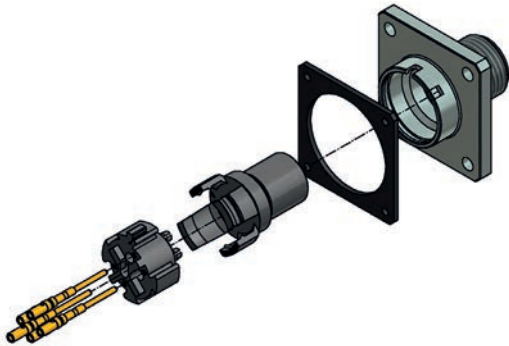
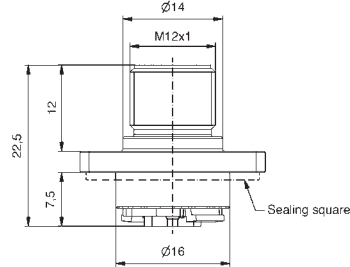
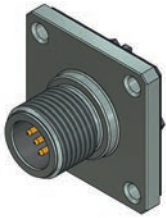


Pin 1  Pin 2  Pin 3  Pin 4	4	A	250	4	PVC	24	0,5	SAL-12-FSV4-0,5-20	43-01355
Pin 1  Pin 2  Pin 3  Pin 4  Pin 5	5	A	60	4	PVC	24	0,5	SAL-12-FSV5-0,5-20	43-01356
Pin 1  Pin 2  Pin 3  Pin 4  Pin 5  Pin 6  Pin 7  Pin 8	8	A	30	2	PVC	24	0,5	SAL-12-FSV8-0,5-20	43-01357
Pin 1  Pin 2  Pin 3  Pin 4  Pin 5  Pin 6  Pin 7  Pin 8  Pin 9  Pin 10  Pin 11  Pin 12	12	A	30	1,5	PVC	26	0,5	SAL-12-FSV12-0,5-20	43-01358

## M12x1 SOCKETS FIELD ATTACHABLE

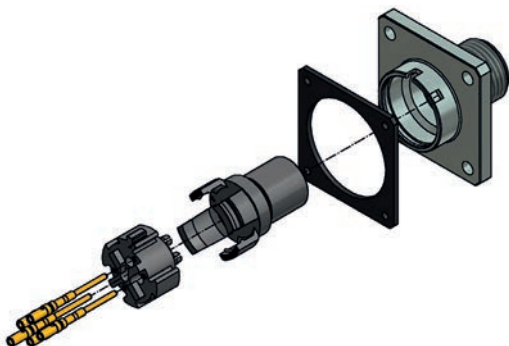
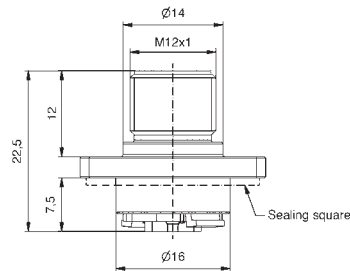
Front panel mounting, wire termination

Male connector, square flange 26 mm, IP67/IP20



Number of poles	Coding	Rated voltage [V]	Current rating [A]	Wire cross section [AWG]	Degree of protection	Description	Part No.
4	A	250	4	AWG22 up to max. AWG20	IP 67 *	SAL-12-FSVC4-26	43-02690
5	A	60	4	AWG22 up to max. AWG20	IP 67 *	SAL-12-FSVC5-26	43-02611
5	A	60	4	AWG22 up to max. AWG20	IP 67 *	SAL-12-FSVC5.1-26	43-02631
8	A	30	2	AWG24 up to max. AWG22	IP 67 *	SAL-12-FSVC8-26	43-02612

Male connector, square flange 26 mm, IP67/IP65



4	A	250	4	AWG22 up to max. AWG20 IP65/ IP67 **		SAL-12-FSVC4-26/ A1065	43-02743
5	A	60	4	AWG22 up to max. AWG20 IP65/ IP67 **		SAL-12-FSVC5-26/ A1065	43-02744
5	A	60	4	AWG22 up to max. AWG20 IP65/ IP67 **		SAL-12-FSVC5.1- 26/A1065	43-02745
8	A	30	2	AWG24 up to max. AWG22 IP65/ IP67 **		SAL-12-FSVC8-26/ A1065	43-02746

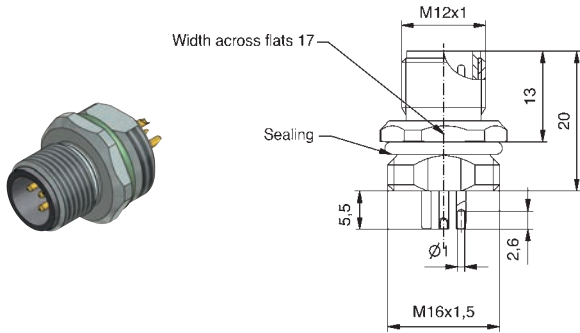
\* in mated condition

\*\* in unmated condition IP65; in mated condition IP67

## M12x1 SOCKETS

Front panel mounting, solder termination/solder cup

Male connector, M16x1.5 thread



Number of poles

Coding

Rated voltage [V]

Current rating [A]

Description

Part No.

4

A

250

4

SAL-12-FS4-L

43-02294

5

A

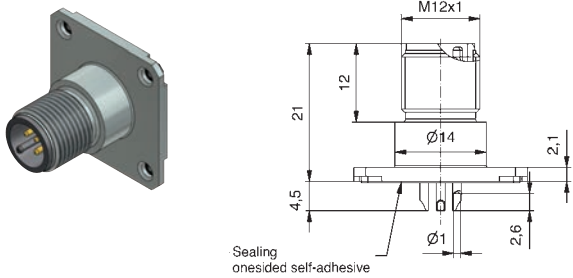
60

4

SAL-12-FS5.1-L

43-02295

Male connector, square flange 26 mm



4

A

250

4

SAL-12-FSV4L-26

43-02303

5

A

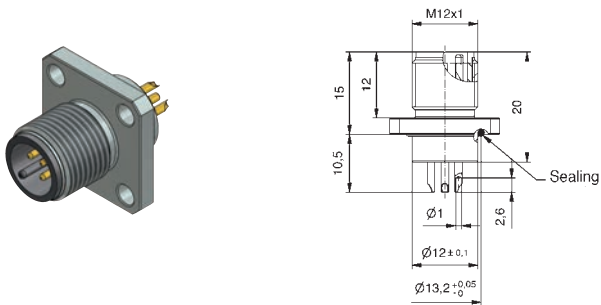
60

4

SAL-12-FSV5.1-L-26

43-02304

Male connector, square flange 20 mm



4

A

250

4

SAL-12-FSV04-L-20

43-02300

5

A

60

4

SAL-2-FSV05.1-L-20

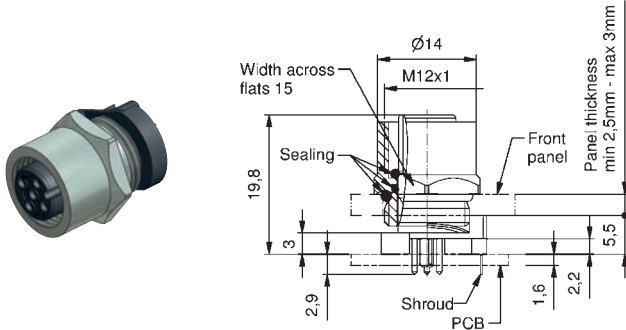
43-02301



## M12x1 SOCKETS

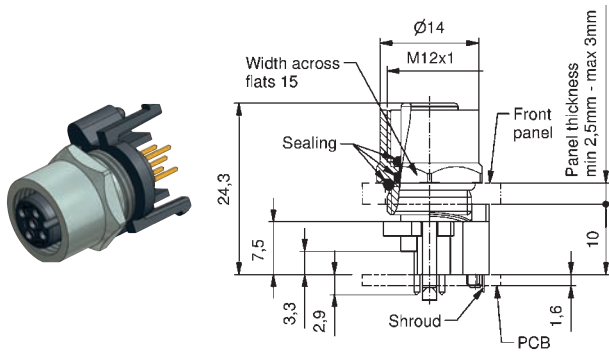
### Front panel mounting, dip solder termination

#### Two-piece female connector, direct circuit board termination, installation height 5.5 mm



Number of poles	Coding	Rated voltage [V]	Current rating [A]	Installation height [mm]	Description	Part No.
4	A	250	4	5,5	SAL-12-FK4-X5,5	43-01178
4	A	250	4	5,5	SAL-12S-FK4-X5,5	43-01179 with shroud
5	A	60	4	5,5	SAL-12-FK5-X5,5	43-01180
5	A	60	4	5,5	SAL-12S-FK5-X5,5	43-01181 with shroud

#### Two-piece female connector, direct circuit board termination, installation height 10 mm


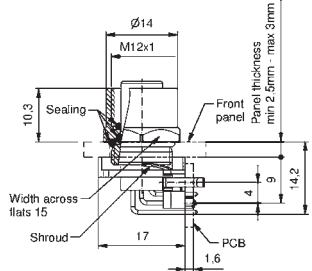

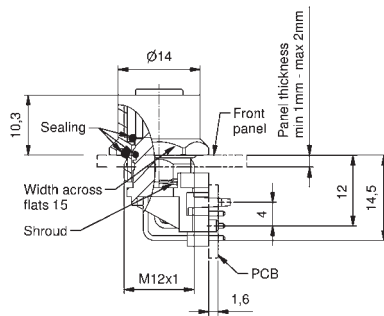
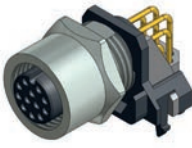
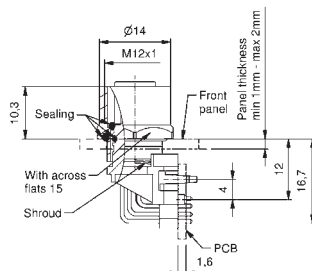


4	A	250	4	10	SAL-12-FK4-X10	43-01162
4	A	250	4	10	SAL-12S-FK4-X10	43-01163 with shroud
5	A	60	4	10	SAL-12-FK5-X10	43-01164
5	A	60	4	10	SAL-12S-FK5-X10	43-01165 with shroud
8	A	30	2	10	SAL-12-FK8-X10	43-01329
8	A	30	2	10	SAL-12S-FK8-X10	43-01332 with shroud

# M12x1 SOCKETS

## Front panel mounting, dip solder termination

### Two-piece female connector, angled, direct circuit board termination

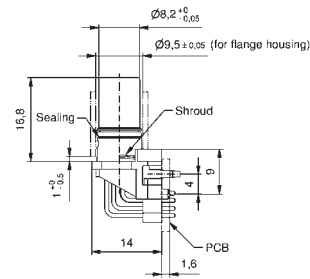
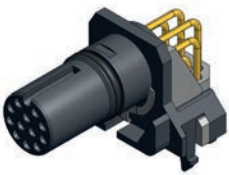
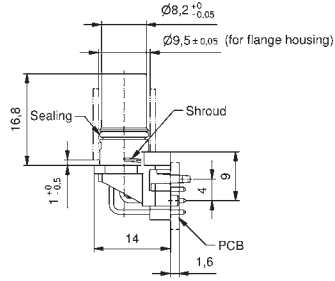
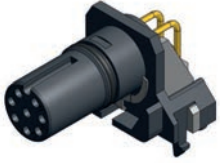
		Number of poles	Coding	Rated voltage [V]	Current rating [A]	Description	Part No.
		4	A	250	4	SAL-12-FKW4	43-01200
		4	A	250	4	SAL-12S-FKW4	43-01201 with shroud
		5	A	60	4	SAL-12-FKW5	43-01202
		5	A	60	4	SAL-12S-FKW5	43-01203 with shroud
		8	A	30	2	SAL-12-FKW8	43-02638
		8	A	30	2	SAL-12S-FKW8	43-02639 with shroud
		12	A	30	1,5	SAL-12-FKW12	43-02640
		12	A	30	1,5	SAL-12S-FKW12	43-02641 with shroud

# M12x1 SOCKETS

Insulation body, dip solder termination

Female connector

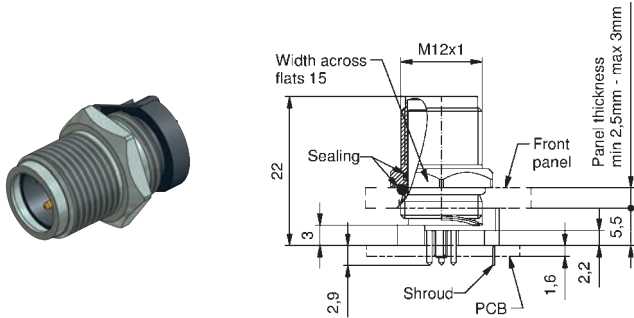
Number of poles	Coding	Rated voltage [V]	Current rating [A]	Description	Part No.
8	A	30	2	SAL-12-IKW8	43-02796
8	A	30	2	SAL-12S-IKW8	43-02797 with shroud
12	A	30	1,5	SAL-12-IKW12	43-02798
12	A	30	1,5	SAL-12S-IKW12	43-02799 with shroud



## M12x1 SOCKETS

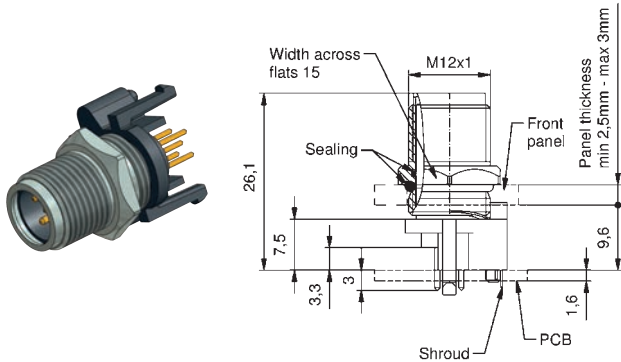
### Front panel mounting, dip solder termination

#### Two-piece male connector, direct circuit board termination, installation height 5.5 mm



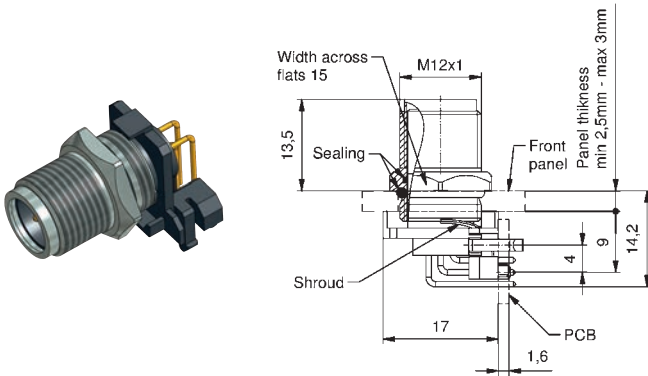
Number of poles	Coding	Current rating [A]	Current rating [A]	Installation height [mm]	Description	Part No.
4	A	250	4	5,5	SAL-12-FS4-X5,5	43-01182
4	A	250	4	5,5	SAL-12S-FS4-X5,5	43-01183 with shroud
5	A	60	4	5,5	SAL-12-FS5.1-X5,5	43-01184
5	A	60	4	5,5	SAL-12S-FS5.1-X5,5	43-01185 with shroud

#### Two-piece male connector, direct circuit board termination, installation height 10 mm



4	A	250	4	10	SAL-12-FS4-X10	43-01166
4	A	250	4	10	SAL-12S-FS4-X10	43-01167 with shroud
5	A	60	4	10	SAL-12-FS5.1-X10	43-01168
5	A	60	4	10	SAL-12S-FS5.1-X10	43-01169 with shroud

#### Two-piece male connector, angled, direct circuit board termination



4	A	250	4		SAL-12-FSW4	43-01208
4	A	250	4		SAL-12S-FSW4	43-01209 with shroud
5	A	60	4		SAL-12-FSW5.1	43-01210
5	A	60	4		SAL-12S-FSW5.1	43-01211 with shroud

# 7/8" SOCKETS

## Front panel mounting, wire termination, AWG 18

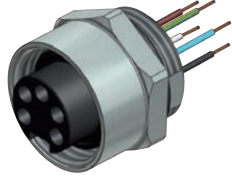
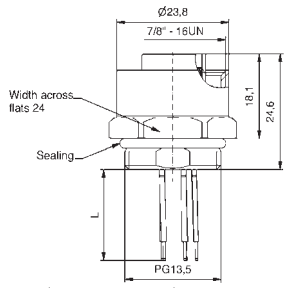





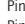
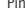


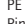

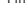
### Female connector, PG13.5 thread, AWG 18

### Contact assignment

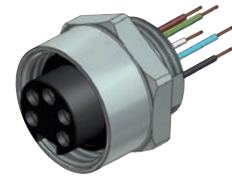
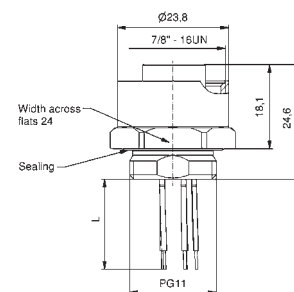





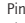



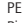


Number of poles	Coding	Rated voltage [V]	Current rating [A]	Wire material	Wire cross section [AWG]	Wire length = L [m]
-----------------	--------	-------------------	--------------------	---------------	--------------------------	---------------------

### Description

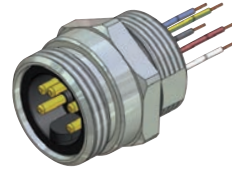
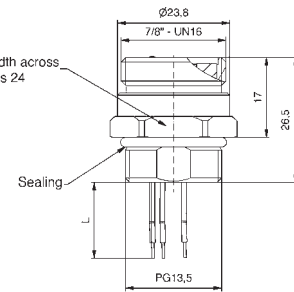





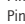




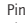

### Part No.

 	PE  Pin 2  Pin 3 	2+PE	A	300	8	PVC	18	0,5	SAL-7/8-FK2PE-0,5	41-40006
	Pin 1  Pin 2  Pin 3  Pin 4 	4	A	300	8	PVC	18	0,5	SAL-7/8-FK4-0,5	41-40007
	Pin 1  Pin 2  PE  Pin 4  Pin 5 	4+PE	A	300	8	PVC	18	0,5	SAL-7/8-FK4PE-0,5	41-40008

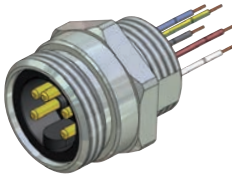
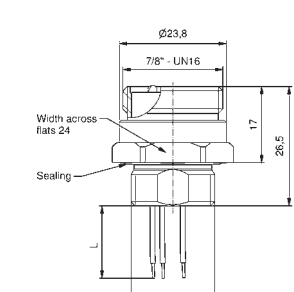

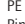


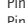




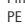


### Female connector, PG11 thread, AWG 18

 	PE  Pin 2  Pin 3 	2+PE	A	300	8	PVC	18	0,5	SAL-7/8-FK2PE-0,5-11	41-40030
	Pin 1  Pin 2  Pin 3  Pin 4 	4	A	300	8	PVC	18	0,5	SAL-7/8-FK4-0,5-11	41-40031
	Pin 1  Pin 2  PE  Pin 4  Pin 5 	4+PE	A	300	8	PVC	18	0,5	SAL-7/8-FK4PE-0,5-11	41-40032

### Male connector, PG13.5 thread, AWG 18

 	PE  Pin 2  Pin 3 	2+PE	A	300	8	PVC	18	0,5	SAL-7/8-FS2PE-0,5	41-40000
	Pin 1  Pin 2  Pin 3  Pin 4 	4	A	300	8	PVC	18	0,5	SAL-7/8-FS4-0,5	41-40001
	Pin 1  Pin 2  PE  Pin 4  Pin 5 	4+PE	A	300	8	PVC	18	0,5	SAL-7/8-FS4PE-0,5	41-40002

### Male connector, PG11 thread, AWG 18

 	PE  Pin 2  Pin 3 	2+PE	A	300	8	PVC	18	0,5	SAL-7/8-FS2PE-0,5-11	41-40024
	Pin 1  Pin 2  Pin 3  Pin 4 	4	A	300	8	PVC	18	0,5	SAL-7/8-FS4-0,5-11	41-40025
	Pin 1  Pin 2  PE  Pin 4  Pin 5 	4+PE	A	300	8	PVC	18	0,5	SAL-7/8-FS4PE-0,5-11	41-40026

# 7/8" SOCKETS

## Front panel mounting, wire termination, AWG 16

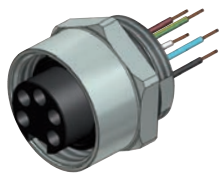
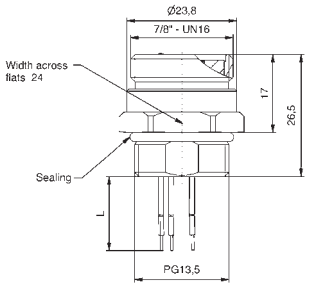





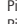



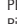


### Female connector, PG13.5 thread, AWG 16

### Contact assignment

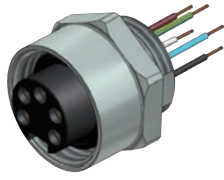
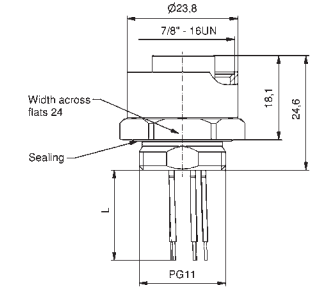










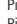

Number of poles	Coding	Rated voltage [V]	Current rating [A]	Wire material	Wire cross section [AWG]	Wire length = L [m]
-----------------	--------	-------------------	--------------------	---------------	--------------------------	---------------------

### Description

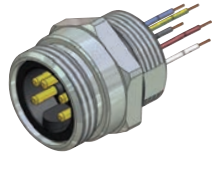
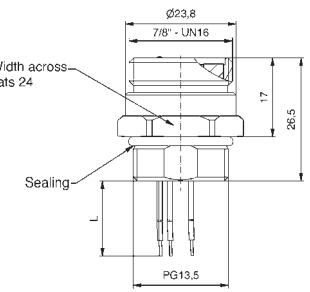

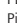










### Part No.

 	PE  Pin 2  Pin 3 	2+PE	A	300	12	PVC	16	0,5	SAL-7/8-FK2PE-0,5/150	41-40015
	Pin 1  Pin 2  Pin 3  Pin 4 	4	A	300	12	PVC	16	0,5	SAL-7/8-FK4-0,5/150	41-40016
	Pin 1  Pin 2  PE  Pin 4  Pin 5 	4+PE	A	300	12	PVC	16	0,5	SAL-7/8-FK4PE-0,5/150	41-40017

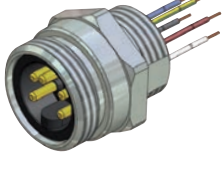
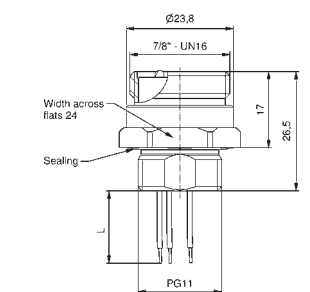

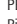










### Female connector, PG11 thread, AWG 16

 	PE  Pin 2  Pin 3 	2+PE	A	300	12	PVC	16	0,5	SAL-7/8-FK2PE-0,5/150-11	41-40039
	Pin 1  Pin 2  Pin 3  Pin 4 	4	A	300	12	PVC	16	0,5	SAL-7/8-FK4-0,5/150-11	41-40040
	Pin 1  Pin 2  PE  Pin 4  Pin 5 	4+PE	A	300	12	PVC	16	0,5	SAL-7/8-FK4PE-0,5/150-11	41-40041

### Male connector, PG13.5 thread, AWG 16

 	PE  Pin 2  Pin 3 	2+PE	A	300	12	PVC	16	0,5	SAL-7/8-FS2PE-0,5/150	41-40009
	Pin 1  Pin 2  Pin 3  Pin 4 	4	A	300	12	PVC	16	0,5	SAL-7/8-FS4-0,5/150	41-40010
	Pin 1  Pin 2  PE  Pin 4  Pin 5 	4+PE	A	300	12	PVC	16	0,5	SAL-7/8-FS4PE-0,5/150	41-40011

### Male connector, PG11 thread, AWG 16

 	PE  Pin 2  Pin 3 	2+PE	A	300	12	PVC	16	0,5	SAL-7/8-FS2PE-0,5/150-11	41-40033
	Pin 1  Pin 2  Pin 3  Pin 4 	4	A	300	12	PVC	16	0,5	SAL-7/8-FS4-0,5/150-11	41-40034
	Pin 1  Pin 2  PE  Pin 4  Pin 5 	4+PE	A	300	12	PVC	16	0,5	SAL-7/8-FS4PE-0,5/150-11	41-40035

# 7/8" SOCKETS

## Front panel mounting, wire termination, AWG 14

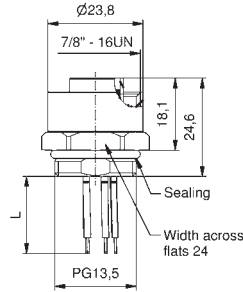
Female connector, PG13.5 thread, AWG 14

Contact assignment

Number of poles	Coding	Rated voltage [V]	Current rating [A]	Wire material	Wire cross section [AWG]	Wire length = L [m]
-----------------	--------	-------------------	--------------------	---------------	--------------------------	---------------------

Description

Part No.



- PE
- Pin 2
- Pin 3

2+PE	A	300	16	PVC	14	0,5
------	---	-----	----	-----	----	-----

SAL-7/8-FK2PE-0,5/250

41-40115

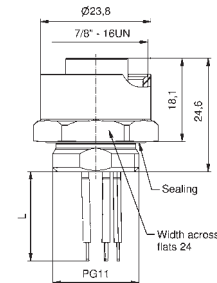
- Pin 1
- Pin 2
- PE
- Pin 4
- Pin 5

4+PE	A	300	16	PVC	14	0,5
------	---	-----	----	-----	----	-----

SAL-7/8-FK4PE-0,5/250

41-40116

Female connector, PG11 thread, AWG 14



- PE
- Pin 2
- Pin 3

2+PE	A	300	16	PVC	14	0,5
------	---	-----	----	-----	----	-----

SAL-7/8-FK2PE-0,5/250-11

41-40117

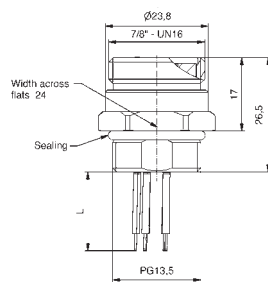
- Pin 1
- Pin 2
- PE
- Pin 4
- Pin 5

4+PE	A	300	16	PVC	14	0,5
------	---	-----	----	-----	----	-----

SAL-7/8-FK4PE-0,5/250-11

41-40118

Male connector, PG13.5 thread, AWG 14



- PE
- Pin 2
- Pin 3

2+PE	A	300	16	PVC	14	0,5
------	---	-----	----	-----	----	-----

SAL-7/8-FS2PE-0,5/250

41-40119

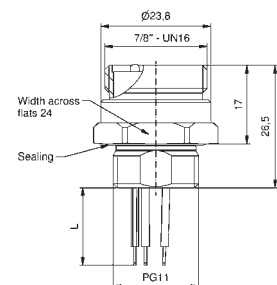
- Pin 1
- Pin 2
- PE
- Pin 4
- Pin 5

4+PE	A	300	16	PVC	14	0,5
------	---	-----	----	-----	----	-----

SAL-7/8-FS4PE-0,5/250

41-40120

Male connector, PG11 thread, AWG 14



- PE
- Pin 2
- Pin 3

2+PE	A	300	16	PVC	14	0,5
------	---	-----	----	-----	----	-----

SAL-7/8-FS2PE-0,5/250-11

41-40121

- Pin 1
- Pin 2
- PE
- Pin 4
- Pin 5

4+PE	A	300	16	PVC	14	0,5
------	---	-----	----	-----	----	-----

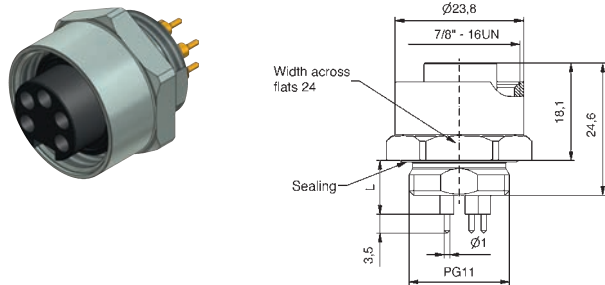
SAL-7/8-FS4PE-0,5/250-11

41-40122

## 7/8" SOCKETS

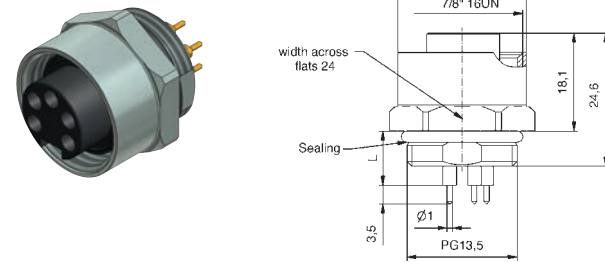
### Front panel mounting, dip solder termination

#### Female connector, direct circuit board termination, PG11 thread



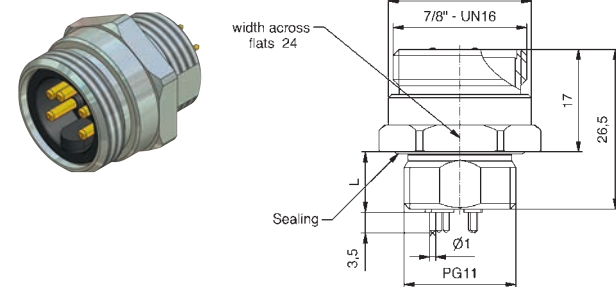
Number of poles	Coding	Rated voltage [V]	Current rating [A]	Installation height [mm]	Description	Part No.
2+PE	A	300	12	10	SAL-7/8-FK2PE-P10-11	41-40045
4	A	300	12	10	SAL-7/8-FK4-P10-11	41-40046
4+PE	A	300	12	10	SAL-7/8-FK4PE-P10-11	41-40047

#### Female connector, direct circuit board termination, PG13.5 thread



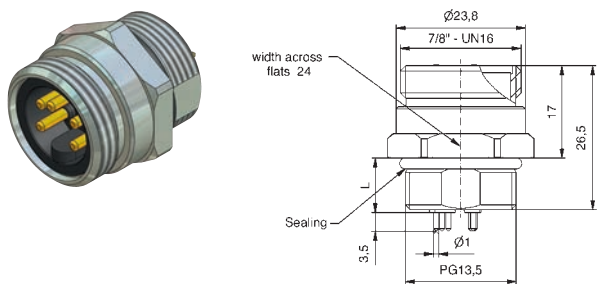
2+PE	A	300	12	10	SAL-7/8-FK2PE-P10	41-40021
4	A	300	12	10	SAL-7/8-FK4-P10	41-40022
4+PE	A	300	12	10	SAL-7/8-FK4PE-P10	41-40023

#### Male connector, direct circuit board termination, PG11 thread



2+PE	A	300	12	10	SAL-7/8-FS2PE-P10-11	41-40042
4	A	300	12	10	SAL-7/8-FS4-P10-11	41-40043
4+PE	A	300	12	10	SAL-7/8-FS4PE-P10-11	41-40044

#### Male connector, direct circuit board termination, PG13.5 thread



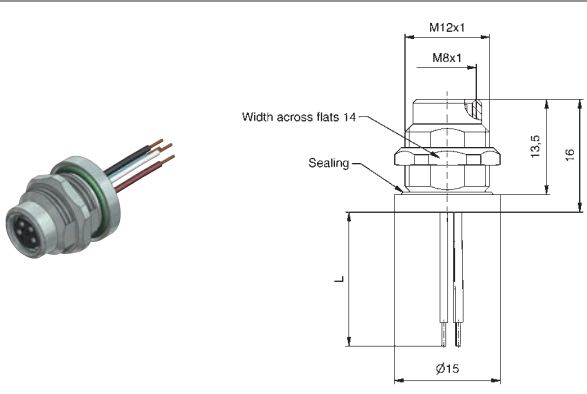
2+PE	A	300	12	10	SAL-7/8-FS2PE-P10	41-40018
4	A	300	12	10	SAL-7/8-FS4-P10	41-40019
4+PE	A	300	12	10	SAL-7/8-FS4PE-P10	41-40020



# M8x1 SOCKETS

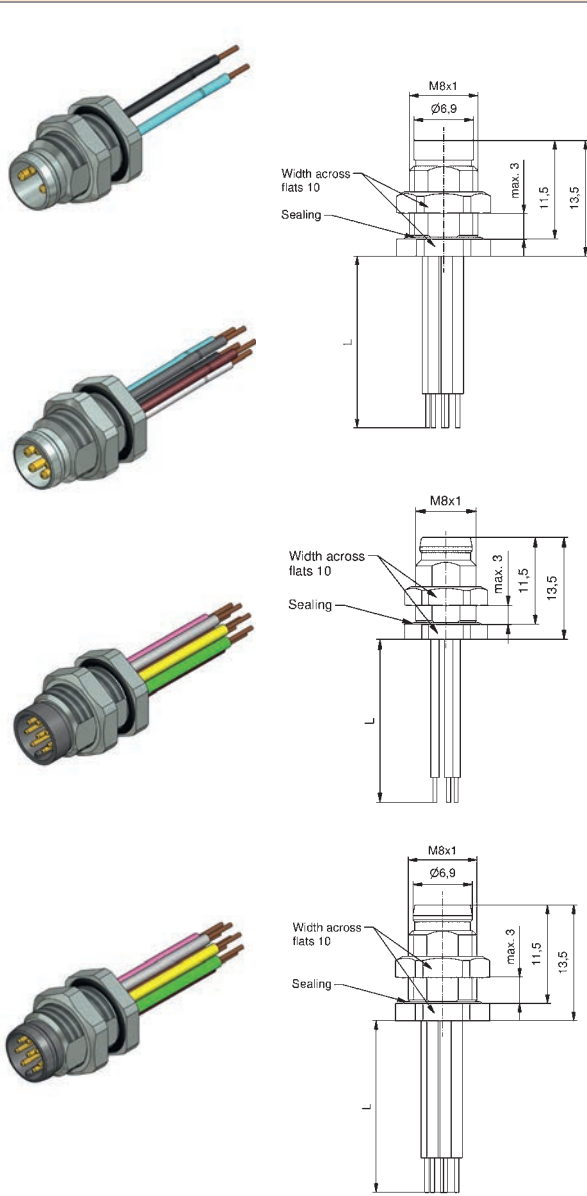
## Back panel mounting, wire termination

### Female connector, M12x1 thread



Contact assignment	Number of poles	Coding	Rated voltage [V]	Current rating [A]	Wire material	Wire cross section [AWG]	Wire length = L [m]	Description	Part No.
Pin 1  Pin 3  Pin 4	3		50 V AC/ 60 V DC	3	PVC	24	0,2	SAL-8-FKH3-0,2	42-01147
Pin 1  Pin 2  Pin 3  Pin 4	4		50 V AC/ 60 V DC	3	PVC	24	0,2	SAL-8-FKH4-0,2	42-01148
Pin 1  Pin 2  Pin 3  Pin 4  Pin 5	5	B	30	3	PVC	24	0,2	SAL-8B-FKH5.1-0,2	42-01149
Pin 1  Pin 2  Pin 3  Pin 4  Pin 5  Pin 6  Pin 7  Pin 8	8	A	30	1,5	PVC	26	0,2	SAL-8-FKH8-0,2	42-01150

### Male connector, M8x1 thread

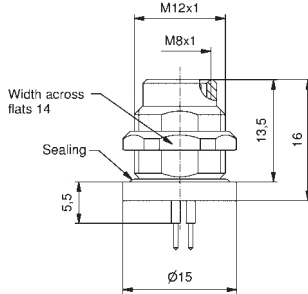


Pin 1  Pin 3  Pin 4	3		50 V AC/ 60 V DC	3	PVC	24	0,2	SAL-8-FSH3-0,2	42-01034
Pin 1  Pin 2  Pin 3  Pin 4	4		50 V AC/ 60 V DC	3	PVC	24	0,2	SAL-8-FSH4-0,2	42-01035
Pin 1  Pin 2  Pin 3  Pin 4  Pin 5	5	B	30	3	PVC	24	0,2	SAL-8B-FSH5.1-0,2	42-01102
Pin 1  Pin 2  Pin 3  Pin 4  Pin 5  Pin 6  Pin 7  Pin 8	8	A	30	1,5	PVC	26	0,2	SAL-8-FSH8-0,2	42-01167
Pin 1  Pin 2  Pin 3  Pin 4  Pin 5  Pin 6  Pin 7  Pin 8	8	A	30	1,5	PVC	26	0,2	SAL-8-FSHU8-0,2	42-01166

## M8x1 SOCKETS

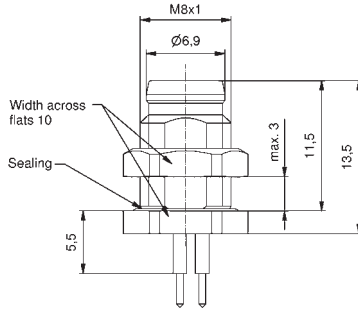
Back panel mounting, dip solder termination

### Female connector, M12x1 thread



Number of poles	Coding	Rated voltage [V]	Current rating [A]	Installation height [mm]	Description	Part No.
3		50 V AC/ 60 V DC	3	5,5	SAL-8-FKH3-P5,5	42-01143
4		50 V AC/ 60 V DC	3	5,5	SAL-8-FKH4-P5,5	42-01144
5	B	30	3	5,5	SAL-8B-FKH5-P5,5	42-01145
8	A	30	1,5	5,5	SAL-8-FKH8-P5,5	42-01146

### Male connector, M8x1 thread

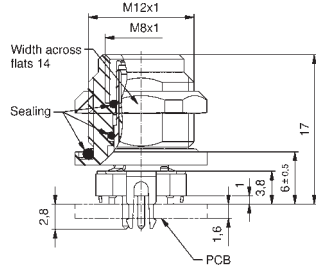


3		50 V AC/ 60 V DC	3	5,5	SAL-8-FSH3-P5,5	42-01107
4		50 V AC/ 60 V DC	3	5,5	SAL-8-FSH4-P5,5	42-01108
5	B	30	3	5,5	SAL-8B-FSH5.1-P5,5	42-01114
8	A	30	1,5	5,5	SAL-8-FS8-P5,5	42-01163
8	A	30	1,5	5,5	SAL-8-FS8U-P5,5	42-01162

## M8x1 SOCKETS

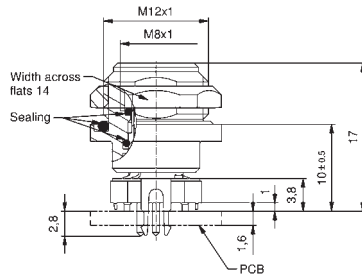
Back panel mounting, dip solder termination, shielded

Female connector axial, installation height 6 mm



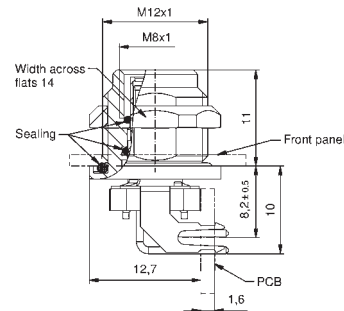
Number of poles	Coding	Rated voltage [V]	Current rating [A]	Installation height [mm]	Description	Part No.
3		50 V AC/ 60 V DC	4	6	SAL-8S-FKH3-X6	42-01359
4		50 V AC/ 60 V DC	4	6	SAL-8S-FKH4-X6	42-01367
5	B	30	4	6	SAL-8BS-FKH5-X6	42-01375
8	A	30	1,5	6	SAL-8S-FKH8-X6	42-01387

Female connector axial, installation height 10 mm



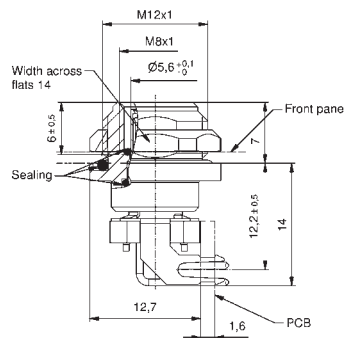
3		50 V AC/ 60 V DC	4	10	SAL-8S-FKH3-X10	42-01360
4		50 V AC/ 60 V DC	4	10	SAL-8S-FKH4-X10	42-01368
5	B	30	4	10	SAL-8BS-FKH5-X10	42-01376
8	A	30	1,5	10	SAL-8S-FKH8-X10	42-01388

Female connector angled, installation height 8.2 mm



3		50 V AC/ 60 V DC	4	8,2	SAL-8S-FKHW3-X8	42-01419
4		50 V AC/ 60 V DC	4	8,2	SAL-8S-FKHW4-X8	42-01427

Female connector angled, installation height 12.2 mm

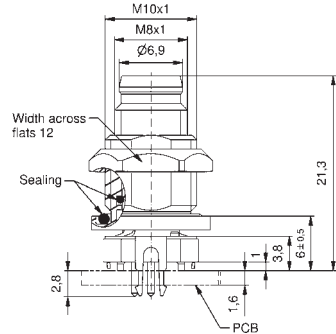


3		50 V AC/ 60 V DC	4	12,2	SAL-8S-FKHW3-X12	42-01420
4		50 V AC/ 60 V DC	4	12,2	SAL-8S-FKHW4-X12	42-01428

## M8x1 SOCKETS

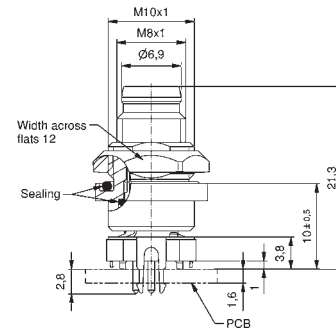
Back panel mounting, dip solder termination, shielded

Male connector axial , installation height 6 mm



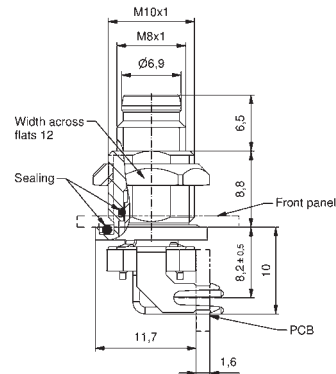
Number of poles	Coding	Rated voltage [V]	Current rating [A]	Installation height [mm]	Description	Part No.
3		50 V AC/ 60 V DC	4	6	SAL-8S-FSH3-X6	42-01363
4		50 V AC/ 60 V DC	4	6	SAL-8S-FSH4-X6	42-01371
5	B	30	4	6	SAL-8BS-FSH5.1-X6	42-01379
8	A	30	1,5	6	SAL-8S-FSH8-X6	42-01383

Male connector axial, installation height 10 mm



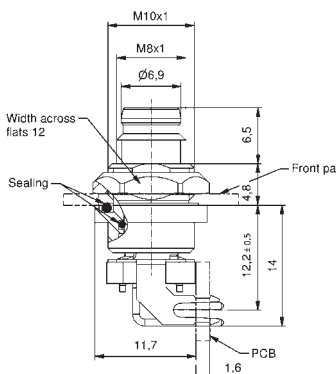
3		50 V AC/ 60 V DC	4	10	SAL-8S-FSH3-X10	42-01364
4		50 V AC/ 60 V DC	4	10	SAL-8S-FSH4-X10	42-01372
5	B	30	4	10	SAL-8BS-FSH5.1-X10	42-01380
8	A	30	1,5	10	SAL-8S-FSH8-X10	42-01384

Male connector angled, installation height 8.2 mm



3		50 V AC/ 60 V DC	4	8,2	SAL-8S-FSHW3-X8	42-01423
4		50 V AC/ 60 V DC	4	8,2	SAL-8S-FSHW4-X8	42-01431

Male connector angled, installation height 12.2 mm

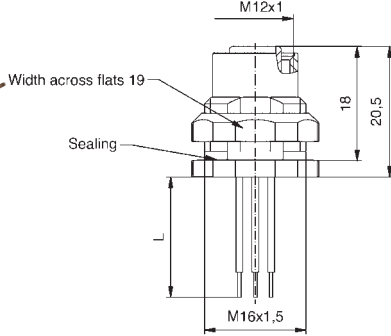
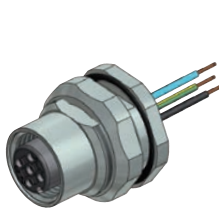


3		50 V AC/ 60 V DC	4	12,2	SAL-8S-FSHW3-X12	42-01424
4		50 V AC/ 60 V DC	4	12,2	SAL-8S-FSHW4-X12	42-01432

# M12x1 SOCKETS

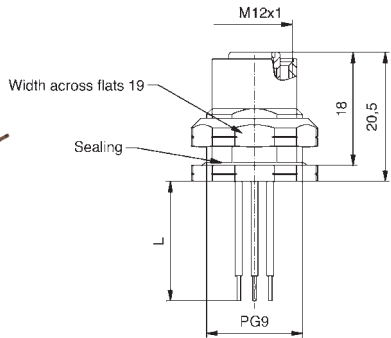
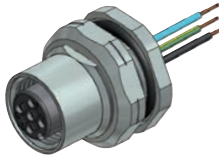
## Back panel mounting, wire termination

### Female connector, M16x1.5 thread



Contact assignment	Number of poles	Coding	Rated voltage [V]	Current rating [A]	Wire material	Wire cross section [AWG]	Wire length = L [m]	Description	Part No.
Pin 1  Pin 2  Pin 3  Pin 4	4	A	250	4	PVC	24	0,5	SAL-12-FKH4-0,5	43-01003
Pin 1  Pin 2  Pin 3  Pin 4  Pin 5	5	A	60	4	PVC	24	0,5	SAL-12-FKH5-0,5	43-01004
Pin 1  Pin 2  Pin 3  Pin 4  Pin 5	5	A	60	4	PVC	24	0,5	SAL-12-FKH5.1-0,5	43-01048
Pin 1  Pin 2  Pin 3  Pin 4  Pin 5  Pin 6  Pin 7  Pin 8	8	A	30	2	PVC	24	0,5	SAL-12-FKH8-0,5	43-01005
Pin 1  Pin 2  Pin 3  Pin 4  Pin 5  Pin 6  Pin 7  Pin 8  Pin 9  Pin 10  Pin 11  Pin 12	12	A	30	1,5	PVC	26	0,5	SAL-12-FKH12-0,5	43-01343

### Female connector, PG9 thread

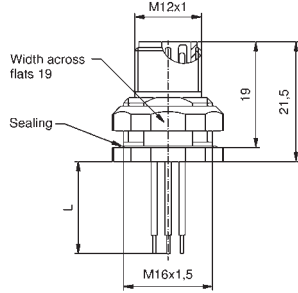
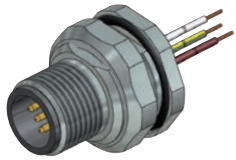


Pin 1  Pin 2  Pin 3  Pin 4	4	A	250	4	PVC	24	0,5	SAL-12-FKH4-0,5-9	43-01079
Pin 1  Pin 2  Pin 3  Pin 4  Pin 5	5	A	60	4	PVC	24	0,5	SAL-12-FKH5-0,5-9	43-01081
Pin 1  Pin 2  Pin 3  Pin 4  Pin 5	5	A	60	4	PVC	24	0,5	SAL-12-FKH5.1-0,5-9	43-01080
Pin 1  Pin 2  Pin 3  Pin 4  Pin 5  Pin 6  Pin 7  Pin 8	8	A	30	2	PVC	24	0,5	SAL-12-FKH8-0,5-9	43-01098
Pin 1  Pin 2  Pin 3  Pin 4  Pin 5  Pin 6  Pin 7  Pin 8  Pin 9  Pin 10  Pin 11  Pin 12	12	A	30	1,5	PVC	26	0,5	SAL-12-FKH12-0,5-9	43-01349

# M12x1 SOCKETS

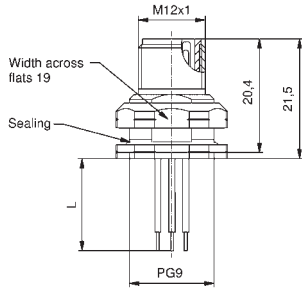
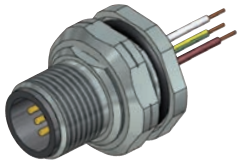
## Back panel mounting, wire termination

### Male connector, M16x1.5 thread



Contact assignment	Number of poles	Coding	Rated voltage [V]	Current rating [A]	Wire material	Wire cross section [AWG]	Wire length = L [m]	Description	Part No.
Pin 1  Pin 2  Pin 3  Pin 4	4	A	250	4	PVC	24	0,5	SAL-12-FSH4-0,5	43-01012
Pin 1  Pin 2  Pin 3  Pin 4  Pin 5	5	A	60	4	PVC	24	0,5	SAL-12-FSH5-0,5	43-01013
Pin 1  Pin 2  Pin 3  Pin 4  Pin 5	5	A	60	4	PVC	24	0,5	SAL-12-FSH5.1-0,5	43-01052
Pin 1  Pin 2  Pin 3  Pin 4  Pin 5  Pin 6  Pin 7  Pin 8	8	A	30	2	PVC	24	0,5	SAL-12-FSH8-0,5	43-01014
Pin 1  Pin 2  Pin 3  Pin 4  Pin 5  Pin 6  Pin 7  Pin 8  Pin 9  Pin 10  Pin 11  Pin 12	12	A	30	1,5	PVC	26	0,5	SAL-12-FSH12-0,5	43-01344

### Male connector, M16x1.5 thread

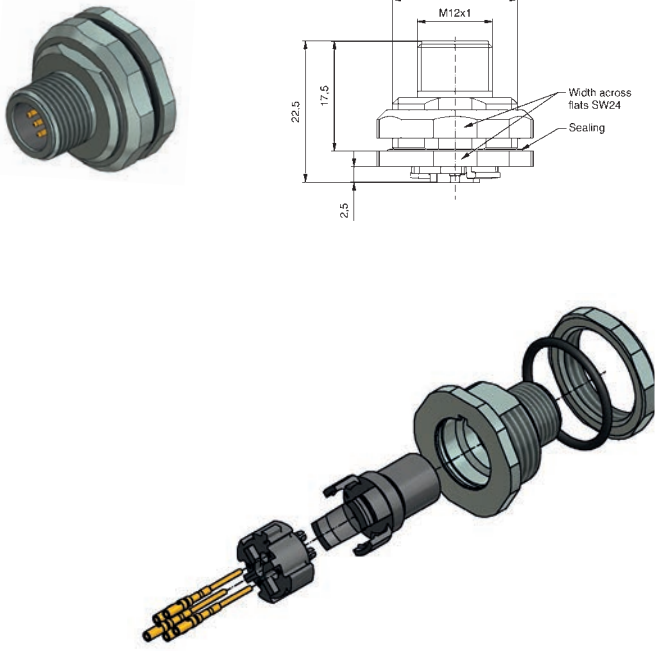
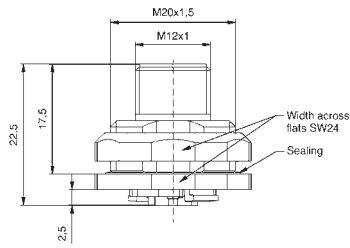


Pin 1  Pin 2  Pin 3  Pin 4	4	A	250	4	PVC	24	0,5	SAL-12-FSH4-0,5-9	43-01088
Pin 1  Pin 2  Pin 3  Pin 4  Pin 5	5	A	60	4	PVC	24	0,5	SAL-12-FSH5-0,5-9	43-01090
Pin 1  Pin 2  Pin 3  Pin 4  Pin 5	5	A	60	4	PVC	24	0,5	SAL-12-FSH5.1-0,5-9	43-01089
Pin 1  Pin 2  Pin 3  Pin 4  Pin 5  Pin 6  Pin 7  Pin 8	8	A	30	2	PVC	24	0,5	SAL-12-FSH8-0,5-9	43-01100
Pin 1  Pin 2  Pin 3  Pin 4  Pin 5  Pin 6  Pin 7  Pin 8  Pin 9  Pin 10  Pin 11  Pin 12	12	A	30	1,5	PVC	26	0,5	SAL-12-FSH12-0,5-9	43-01350

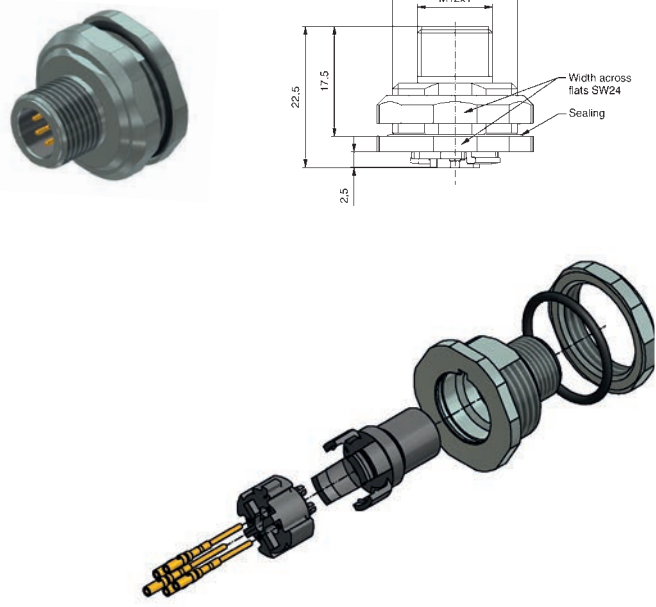
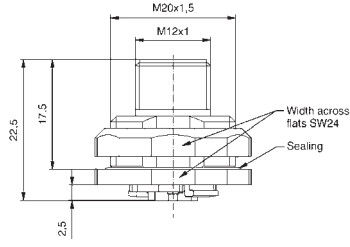
## M12x1 SOCKETS FIELD ATTACHABLE

### Back panel mounting, wire termination

#### Male connector, M20x1.5 thread, IP67/IP20

		Number of poles	Coding	Rated voltage [V]	Current rating [A]	Wire cross section [AWG]	Degree of protection	Description	Part No.
		4	A	250	4	AWG22 up to max. AWG20	IP 67 *	SAL-12-FSHC4	43-02691
		5	A	60	4	AWG22 up to max. AWG20	IP 67 *	SAL-12-FSHC5	43-02613
		5	A	60	4	AWG22 up to max. AWG20	IP 67 *	SAL-12-FSHC5.1	43-02632
		8	A	30	2	AWG24 up to max. AWG22	IP 67 *	SAL-12-FSHC8	43-02614

#### Male connector, M20x1.5 thread, IP67/IP65

		4	A	250	4	AWG22 up to max. AWG20	IP65/ IP67 **	SAL-12-FSHC4/ A1065	43-02747
		5	A	60	4	AWG22 up to max. AWG20	IP65/ IP67 **	SAL-12-FSHC5/ A1065	43-02748
		5	A	60	4	AWG22 up to max. AWG20	IP65/ IP67 **	SAL-12-FSHC5.1/ A1065	43-02749
		8	A	30	2	AWG24 up to max. AWG22	IP65/ IP67 **	SAL-12-FSHC8/ A1065	43-02750

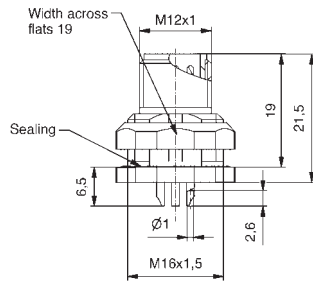
\* in mated condition

\*\* in unmated condition IP65; in mated condition IP67

## M12x1 SOCKETS

Back panel mounting, solder termination/solder cup

Male connector, M16x1.5 thread



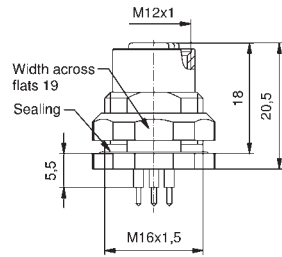
	Number of poles	Coding	Rated voltage [V]	Current rating [A]	Installation height [mm]	Description	Part No.
	4	A	250	4	5,5	SAL-12-FSH4-L	43-02297
	5	A	60	4	5,5	SAL-12-FSH5.1-L	43-02298



## M12x1 SOCKETS

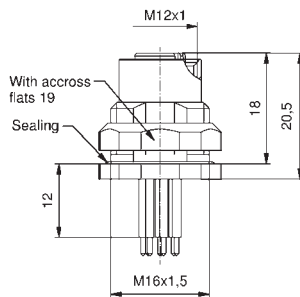
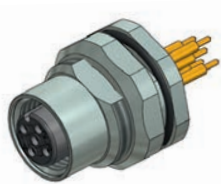
### Back panel mounting, dip solder termination

#### Female connector, M16x1.5 thread, installation height 5.5 mm



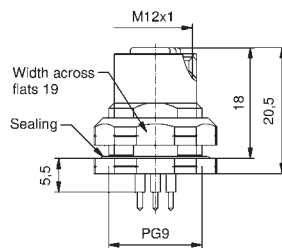
Number of poles	Coding	Rated voltage [V]	Current rating [A]	Installation height [mm]	Description	Part No.
4	A	250	4	5,5	SAL-12-FKH4-P5,5	43-01026
5	A	60	4	5,5	SAL-12-FKH5-P5,5	43-01027
8	A	30	2	5,5	SAL-12-FKH8-P5,5	43-01028

#### Female connector, M16x1.5 thread, installation height 12 mm



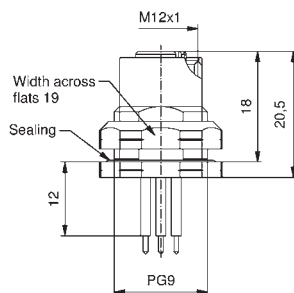
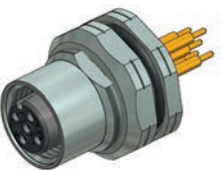
4	A	250	4	12	SAL-12-FKH4-P12	43-01029
5	A	60	4	12	SAL-12-FKH5-P12	43-01030
8	A	30	2	12	SAL-12-FKH8-P12	43-01031

#### Female connector, PG9 thread, installation height 5.5 mm



4	A	250	4	5,5	SAL-12-FKH4-P5,5-9	43-01059
5	A	60	4	5,5	SAL-12-FKH5-P5,5-9	43-01061
8	A	30	2	5,5	SAL-12-FKH8-P5,5-9	43-01063

#### Female connector, PG9 thread, installation height 12 mm

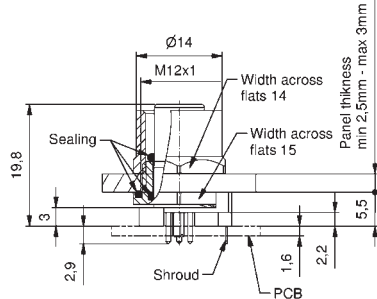


4	A	250	4	12	SAL-12-FKH8-P12-9	43-01060
5	A	60	4	12	SAL-12-FKH5-P12-9	43-01062
8	A	30	2	12	SAL-12-FKH8-P12-9	43-01064

## M12x1 SOCKETS

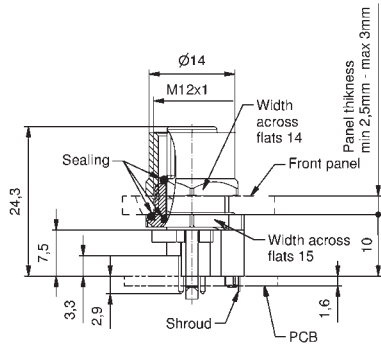
### Back panel mounting, dip solder termination

#### Two-piece female connector, direct circuit board termination, installation height 5.5 mm



Number of poles	Coding	Rated voltage [V]	Current rating [A]	Installation height [mm]	Description	Part No.
4	A	250	4	5,5	SAL-12-FKH4-X5,5	43-01186
4	A	250	4	5,5	SAL-12S-FKH4-X5,5	43-01187 with shroud
5	A	60	4	5,5	SAL-12-FKH5-X5,5	43-01188
5	A	60	4	5,5	SAL-12S-FKH5-X5,5	43-01189 with shroud

#### Two-piece female connector, direct circuit board termination, installation height 10 mm

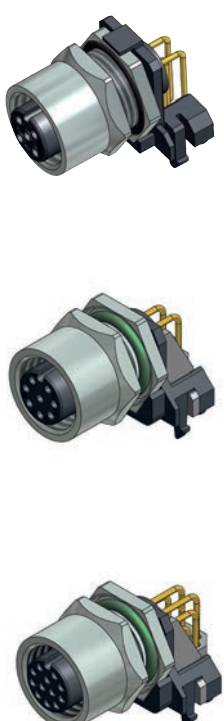
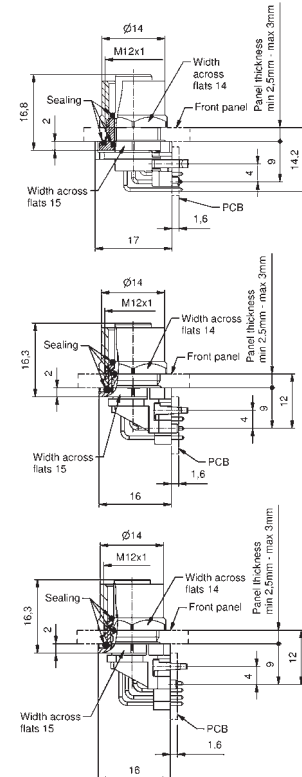


4	A	250	4	10	SAL-12-FKH4-X10	43-01170
4	A	250	4	10	SAL-12S-FKH4-X10	43-01171 with shroud
5	A	60	4	10	SAL-12-FKH5-X10	43-01172
5	A	60	4	10	SAL-12S-FKH5-X10	43-01173 with shroud
8	A	30	2	10	SAL-12-FKH8-X10	43-01334
8	A	30	2	10	SAL-12S-FKH8-X10	43-01335 with shroud


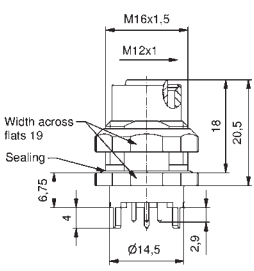
## M12x1 SOCKETS

### Back panel mounting, dip solder termination

#### Two-piece female connector angled, direct circuit board termination

		Number of poles	Coding	Rated voltage [V]	Current rating [A]	Installation height [mm]	Description	Part No.
		4	A	250	4		SAL-12-FKHW4	43-01196
		4	A	250	4		SAL-12S-FKHW4	43-01197 with shroud
		5	A	60	4		SAL-12-FKHW5	43-01198
		5	A	60	4		SAL-12S-FKHW5	43-01199 with shroud
		8	A	30	2		SAL-12-FKHW8	43-02739
		8	A	30	2		SAL-12S-FKHW8	43-02740 with shroud
		12	A	30	1,5		SAL-12-FKHW12	43-02741
		12	A	30	1,5		SAL-12S-FKHW12	43-02742 with shroud

#### Female connector with shielding, M16x1.5 thread, installation height 6.75 mm

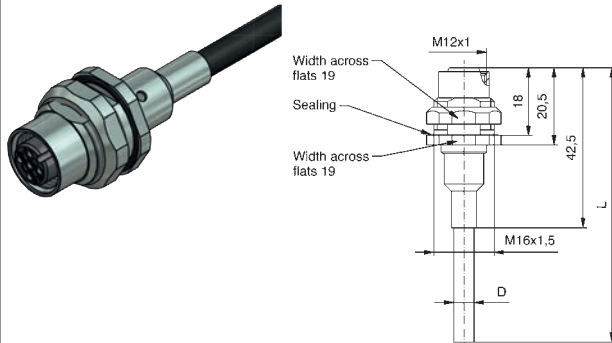
		4	A	250	4	6,75	SAL-12S-FKH4-P6,75	43-01663
		5	A	60	4	6,75	SAL-12S-FKH5-P6,75	43-01664
		8	A	30	2	6,75	SAL-12S-FKH8-P6,75	43-01665

## M12x1 SOCKETS

Back panel mounting, with cable, shielded

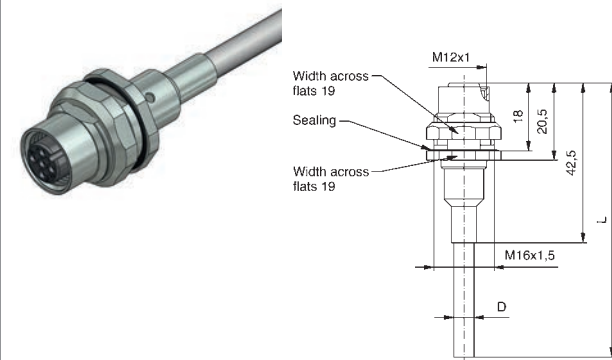
Female connector, M16x1.5 thread, TPU, UL, halogenfree, Li9YC11Y

Contact Assignment



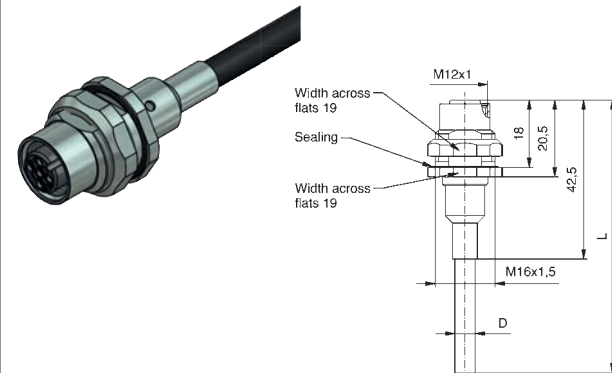
Number of poles	Coding	Rated voltage [V]	Current rating [A]	Wire length = L [m]	Wire cross section [mm <sup>2</sup> ]	Description	Part No.
4	A	160	4	0,5	0,25	SAL-12S-FKH4-0,5/G2	43-02312
4	A	160	4	1	0,25	SAL-12S-FKH4-1/G2	43-02365
4	A	160	4	2	0,25	SAL-12S-FKH4-2/G2	43-02366

Female connector, M16x1.5 thread, PVC, UL, LiYCY



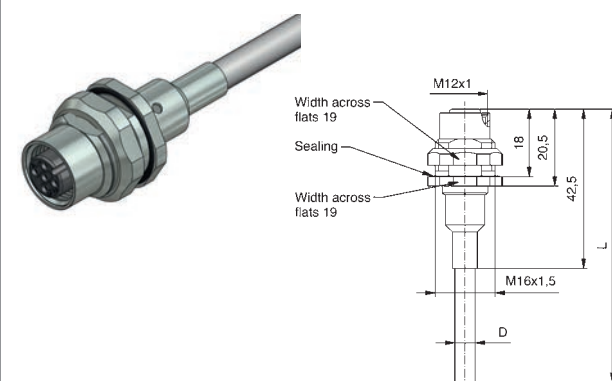
4	A	160	4	0,5	0,25	SAL-12S-FKH4-0,5/G3	43-02313
4	A	160	4	1	0,25	SAL-12S-FKH4-1/G3	43-02367
4	A	160	4	2	0,25	SAL-12S-FKH4-2/G3	43-02368

Female connector, M16x1.5 thread, TPU, UL, halogenfree, Li9YC11Y



5	A	60	4	0,5	0,25	SAL-12S-FKH5.1-0,5/G2	43-02314
5	A	60	4	1	0,25	SAL-12S-FKH5.1-1/G2	43-02369
5	A	60	4	2	0,25	SAL-12S-FKH5.1-2/G2	43-02370

Female connector, M16x1.5 thread, PVC, UL, LiYCY

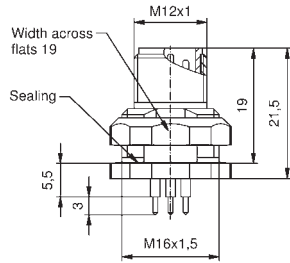


5	A	60	4	0,5	0,25	SAL-12S-FKH5.1-0,5/G3	43-02315
5	A	60	4	1	0,25	SAL-12S-FKH5.1-1/G3	43-02371
5	A	60	4	2	0,25	SAL-12S-FKH5.1-2/G3	43-02372

## M12x1 SOCKETS

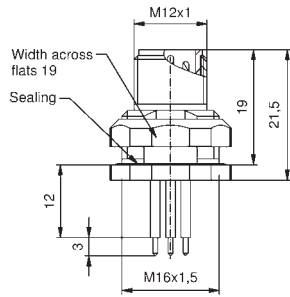
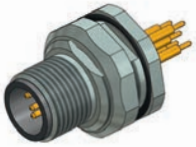
### Back panel mounting, dip solder termination

#### Male connector, M16x1.5 thread, installation height 5.5 mm



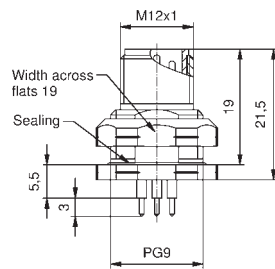
Number of poles	Coding	Rated voltage [V]	Current rating [A]	Installation height [mm]	Description	Part No.
4	A	250	4	5,5	SAL-12-FSH4-P5,5	43-01032
5	A	60	4	5,5	SAL-12-FSH5-P5,5	43-01033
8	A	30	2	5,5	SAL-12-FSH8-P5,5	43-01034

#### Male connector, M16x1.5 thread, installation height 12 mm



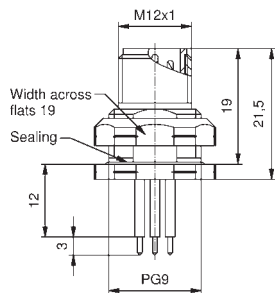
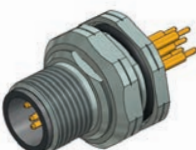
4	A	250	4	12	SAL-12-FSH4-P12	43-01035
5	A	60	4	12	SAL-12-FSH5-P12	43-01036
8	A	30	2	12	SAL-12-FSH8-P12	43-01037

#### Male connector, PG9 thread, installation height 5.5 mm



4	A	250	4	5,5	SAL-12-FSH4-P5,5-9	43-01065
5	A	60	4	5,5	SAL-12-FSH5-P5,5-9	43-01069
8	A	30	2	5,5	SAL-12-FSH8-P5,5-9	43-01071

#### Male connector, PG9 thread, installation height 12 mm

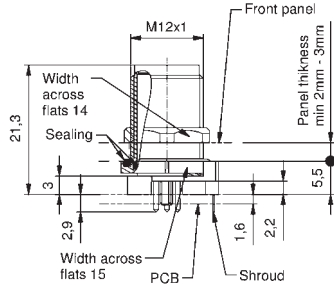


4	A	250	4	12	SAL-12-FSH4-P12-9	43-01066
5	A	60	4	12	SAL-12-FSH5-P12-9	43-01070
8	A	30	2	12	SAL-12-FSH8-P12-9	43-01072

## M12x1 SOCKETS

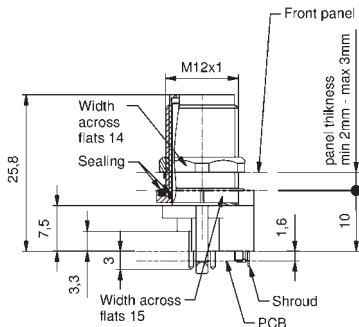
### Back panel mounting, dip solder termination

#### Two-piece male connector, direct circuit board termination, installation height 5.5 mm



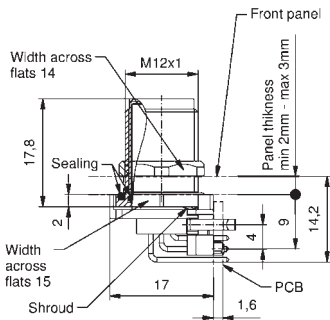
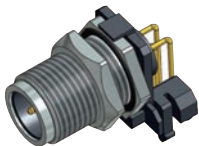
Number of poles	Coding	Rated voltage [V]	Current rating [A]	Installation height [mm]	Description	Part No.
4	A	250	4	5,5	SAL-12-FSH4-X5,5	43-01190
4	A	250	4	5,5	SAL-12S-FSH4-X5,5	43-01191 with shroud
5	A	60	4	5,5	SAL-12-FSH5.1-X5,5	43-01192
5	A	60	4	5,5	SAL-12S-FSH5.1-X5,5	43-01193 with shroud

#### Two-piece male connector, direct circuit board termination, installation height 10 mm



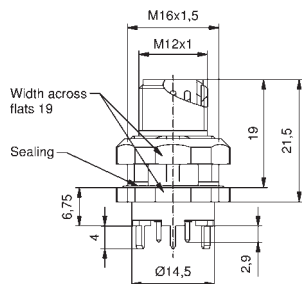
4	A	250	4	10	SAL-12-FSH4-X10	43-01174
4	A	250	4	10	SAL-12S-FSH4-X10	43-01175 with shroud
5	A	60	4	10	SAL-12-FSH5.1-X10	43-01176
5	A	60	4	10	SAL-12S-FSH5.1-X10	43-01177 with shroud

#### Two-piece male connector, angled, direct circuit board termination



4	A	250	4		SAL-12-FSHW4	43-01204
4	A	250	4		SAL-12S-FSHW4	43-01205 with shroud
5	A	60	4		SAL-12-FSHW5.1	43-01206
5	A	60	4		SAL-12S-FSHW5.1	43-01207 with shroud

#### Male connector with shielded connection, M16x1,5 thread



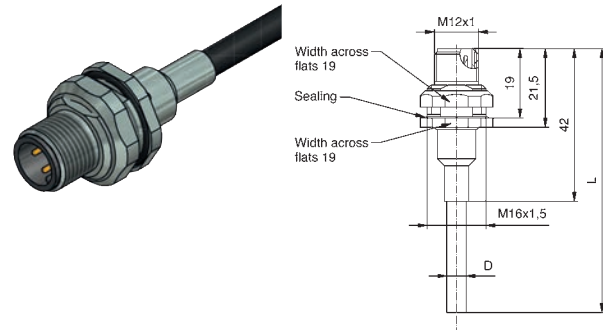
4	A	250	4	6,75	SAL-12S-FSH4-P6,75	43-02204
5	A	60	4	6,75	SAL-12S-FSH5.1-P6,75	43-02205

## M12x1 SOCKETS

### Back panel mounting with cable, shielded

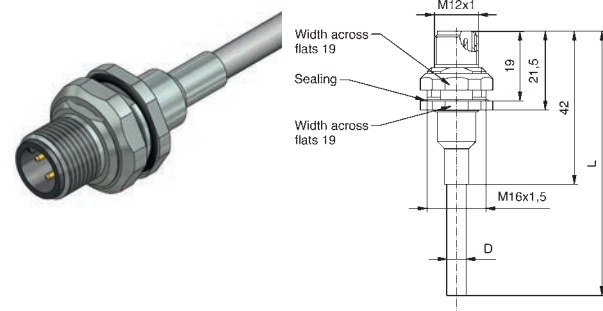
Female connector, M16x1.5 thread, TPU, UL, halogenfree, Li9YC11Y

Contact Assignment



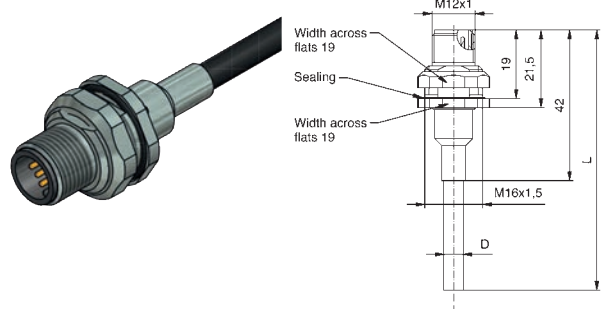
Number of poles	Coding	Rated voltage [V]	Current rating [A]	Wire length = L [m]	Wire cross section [mm <sup>2</sup> ]	Description	Part No.
4	A	160	4	0,5	0,25	SAL-12S-FSH4-0,5/G2	43-02308
4	A	160	4	1	0,25	SAL-12S-FSH4-1/G2	43-02349
4	A	160	4	2	0,25	SAL-12S-FSH4-2/G2	43-02350

Female connector, M16x1.5 thread, PVC, UL, LiYCY



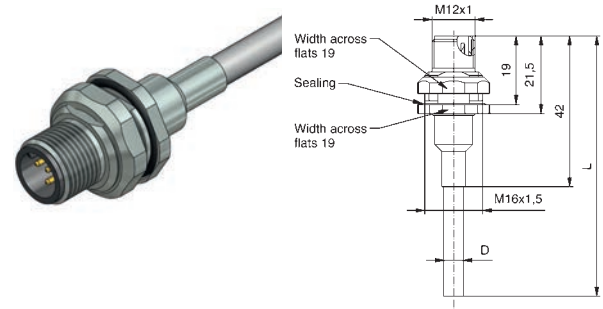
4	A	160	4	0,5	0,25	SAL-12S-FSH4-0,5/G3	43-02309
4	A	160	4	1	0,25	SAL-12S-FSH4-1/G3	43-02351
4	A	160	4	2	0,25	SAL-12S-FSH4-2/G3	43-02352

Female connector, M16x1.5 thread, TPU, UL, halogenfree, Li9YC11Y



5	A	60	4	0,5	0,25	SAL-12S-FSH5.1-0,5/G2	43-02306
5	A	60	4	1	0,25	SAL-12S-FSH5.1-1/G2	43-02353
5	A	60	4	2	0,25	SAL-12S-FSH5.1-2/G2	43-02354

Female connector, M16x1.5 thread, PVC, UL, LiYCY

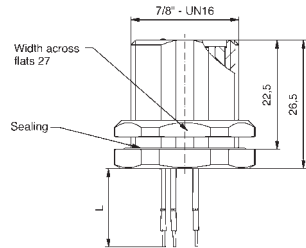
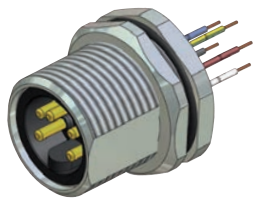


5	A	60	4	0,5	0,25	SAL-12S-FSH5.1-0,5/G3	43-02307
5	A	60	4	1	0,25	SAL-12S-FSH5.1-1/G3	43-02355
5	A	60	4	2	0,25	SAL-12S-FSH5.1-2/G3	43-02356

# 7/8" SOCKETS

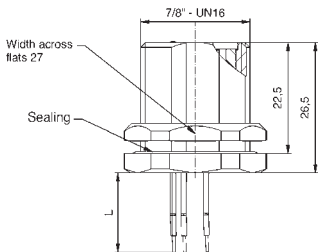
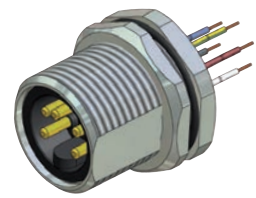
## Back panel mounting, wire termination

### Male connector, AWG 18



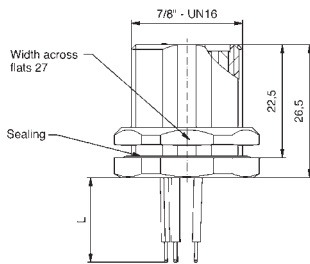
Contact Assignment	Number of poles	Coding	Rated voltage [V]	Current rating [A]	Wire material	Wire cross section [AWG]	Wire length = L [m]	Description	Part No.
PE Pin 2 Pin 3	2+PE		300	8	PVC	18	0,5	SAL-7/8-FSH2PE-0,5	41-40003
Pin 1 Pin 2 Pin 3 Pin 4	4		300	8	PVC	18	0,5	SAL-7/8-FSH4-0,5	41-40004
Pin 1 Pin 2 PE Pin 4 Pin 5	4+PE		300	8	PVC	18	0,5	SAL-7/8-FSH4PE-0,5	41-40005

### Male connector, AWG16



PE Pin 2 Pin 3	2+PE		300	12	PVC	16	0,5	SAL-7/8-FSH2PE-0,5/150	41-40012
Pin 1 Pin 2 Pin 3 Pin 4	4		300	12	PVC	16	0,5	SAL-7/8-FSH4-0,5/150	41-40013
Pin 1 Pin 2 PE Pin 4 Pin 5	4+PE		300	12	PVC	16	0,5	SAL-7/8-FSH4PE-0,5/150	41-40014

### Male connector, AWG14




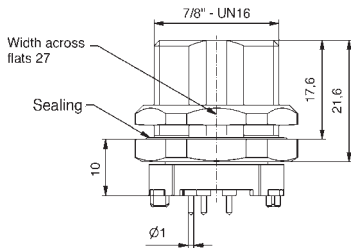
PE Pin 2 Pin 3	2+PE		300	16	PVC	14	0,5	SAL-7/8-FSH2PE-0,5/250	41-40123
Pin 1 Pin 2 PE Pin 4 Pin 5	4+PE		300	16	PVC	14	0,5	SAL-7/8-FSH4PE-0,5/250	41-40124



## 7/8" SOCKETS

Back panel mounting, dip solder termination

Two-piece female connector, direct circuit board termination, installation height 10 mm

	Number of poles	Coding	Rated voltage [V]	Current rating [A]	Installation height [mm]	Description	Part No.
 	2+PE		300	12	10	SAL-7/8-FSH2PE-X10	41-40048
	4		300	12	10	SAL-7/8-FSH4-X10	41-40049
	4+PE		300	12	10	SAL-7/8-FSH4PE-X10	41-40050

По вопросам продаж и поддержки обращайтесь:

Архангельск (8182)63-90-72  
Астана (7172)727-132  
Астрахань (8512)99-46-04  
Барнаул (3852)73-04-60  
Белгород (4722)40-23-64  
Брянск (4832)59-03-52  
Владивосток (423)249-28-31  
Волгоград (844)278-03-48  
Вологда (8172)26-41-59  
Воронеж (473)204-51-73  
Екатеринбург (343)384-55-89

Иваново (4932)77-34-06  
Ижевск (3412)26-03-58  
Казань (843)206-01-48  
Калининград (4012)72-03-81  
Калуга (4842)92-23-67  
Кемерово (3842)65-04-62  
Киров (8332)68-02-04  
Краснодар (861)203-40-90  
Красноярск (391)204-63-61  
Курск (4712)77-13-04  
Липецк (4742)52-20-81

Магнитогорск (3519)55-03-13  
Москва (495)268-04-70  
Мурманск (8152)59-64-93  
Набережные Челны (8552)20-53-41  
Нижний Новгород (831)429-08-12  
Новокузнецк (3843)20-46-81  
Новосибирск (383)227-86-73  
Омск (3812)21-46-40  
Орел (4862)44-53-42  
Оренбург (3532)37-68-04  
Пенза (8412)22-31-16

Пермь (342)205-81-47  
Ростов-на-Дону (863)308-18-15  
Рязань (4912)46-61-64  
Самара (846)206-03-16  
Санкт-Петербург (812)309-46-40  
Саратов (845)249-38-78  
Севастополь (8692)22-31-93  
Симферополь (3652)67-13-56  
Смоленск (4812)29-41-54  
Сочи (862)225-72-31  
Ставрополь (8652)20-65-13

Сургут (3462)77-98-35  
Тверь (4822)63-31-35  
Томск (3822)98-41-53  
Тула (4872)74-02-29  
Тюмень (3452)66-21-18  
Ульяновск (8422)24-23-59  
Уфа (347)229-48-12  
Хабаровск (4212)92-98-04  
Челябинск (351)202-03-61  
Череповец (8202)49-02-64  
Ярославль (4852)69-52-93

Единый адрес: [ccn@nt-rt.ru](mailto:ccn@nt-rt.ru) | <http://www.conec.nt-rt.ru>