

По вопросам продаж и поддержки обращайтесь:

Архангельск (8182)63-90-72
Астана (7172)727-132
Астрахань (8512)99-46-04
Барнаул (3852)73-04-60
Белгород (4722)40-23-64
Брянск (4832)59-03-52
Владивосток (423)249-28-31
Волгоград (844)278-03-48
Вологда (8172)26-41-59
Воронеж (473)204-51-73
Екатеринбург (343)384-55-89

Иваново (4932)77-34-06
Ижевск (3412)26-03-58
Казань (843)206-01-48
Калининград (4012)72-03-81
Калуга (4842)92-23-67
Кемерово (3842)65-04-62
Киров (8332)68-02-04
Краснодар (861)203-40-90
Красноярск (391)204-63-61
Курск (4712)77-13-04
Липецк (4742)52-20-81

Магнитогорск (3519)55-03-13
Москва (495)268-04-70
Мурманск (8152)59-64-93
Набережные Челны (8552)20-53-41
Нижний Новгород (831)429-08-12
Новокузнецк (3843)20-46-81
Новосибирск (383)227-86-73
Омск (3812)21-46-40
Орел (4862)44-53-42
Оренбург (3532)37-68-04
Пенза (8412)22-31-16

Пермь (342)205-81-47
Ростов-на-Дону (863)308-18-15
Рязань (4912)46-61-64
Самара (846)206-03-16
Санкт-Петербург (812)309-46-40
Саратов (845)249-38-78
Севастополь (8692)22-31-93
Симферополь (3652)67-13-56
Смоленск (4812)29-41-54
Сочи (862)225-72-31
Ставрополь (8652)20-65-13

Сургут (3462)77-98-35
Тверь (4822)63-31-35
Томск (3822)98-41-53
Тула (4872)74-02-29
Тюмень (3452)66-21-18
Ульяновск (8422)24-23-59
Уфа (347)229-48-12
Хабаровск (4212)92-98-04
Челябинск (351)202-03-61
Череповец (8202)49-02-64
Ярославль (4852)69-52-93

Единый адрес: ccn@nt-rt.ru | <http://www.conec.nt-rt.ru>

SECTION 1

ISOBUS CONNECTORS





ISOBUS CONNECTORS

Nomenclature

HDP26 - 24 - 91 - S - L1 - W / 600P / 2m

Type

HDP26= Housing for socket contact

HDP24= Housing for plug contact

JPT = Housing JPT

Size

24 = HDP

= JPT

Number of poles

91 = HDP

16 = JPT

Type

S = Socket

P = Plug

Version (only HDP-series)

= without landing plate

L1 = with landing plate round

L2 = with landing plate with flats

Corrugated tube

= without corrugated tube

W = with corrugated tube

Leitung

600P = Hybride ((4Li9Y 0,50) + 2LiY2,50 + 2LiY6,00), TPU, black

1000P = Hybride ((4Li9Y 0,50) + 2LiY2,50 + 2LiY6,00), TPU, black

Cable length

2m = 2 meter

5m = 5 meter

10m = 10 meter

Connecting-cables

6m = 6 meter

9m = 9 meter

12m = 12 meter

ISOBUS CONNECTORS

Product specification

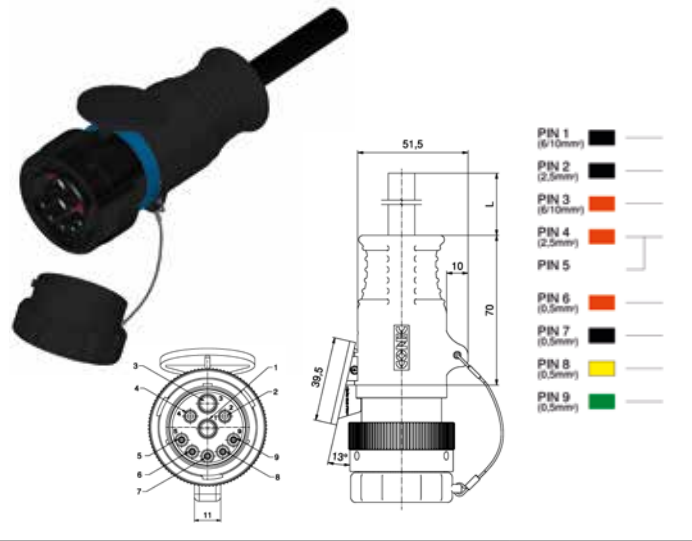
Basic material	
Contact	Copper alloy
Contact plating	HDP: Ni / JPT: Sn
Contact carrier	HDP: Thermoplast / JPT: PBT ASA GF30
Overmould	TPU, UL94 V-0, black
Landing plate (HDP)	PA6.6 UL94 V-0, black
Protective cover (HDP26)	PA6.6 UL94 V-0, black
Corrugated tube	PA6 UL94 HB, black
Sealing	Silicone
Technical Data	
Rated voltage	HDP: max. 32 V DC / JPT: max. 12 V DC
Current rating	max.: 600P altern. 1000P: 25 A at 40 °C [6 mm ²] altern. 35 A at 40 °C [10 mm ²] 15 A at 40 °C [2.5 mm ²] 5 A at 40 °C [0.5 mm ²]
Degree of protection	IP67 / IP69K in mated condition
Temperature range connectors	HDP: -40 °C bis +85 °C / JPT: -40 °C bis +80 °C
Temperature range cable	Fixed installation: -40 °C at +80 °C Flexible installation: -20 °C at +85 °C
Terminal cross section	600P 1000P: 2 x 6 mm ² 2 x 10 mm ² + 2 x 2,5 mm ² + 2 x 2,5 mm ² + 4 x 0,5 mm ² 4 x 0,5 mm ²
Housing	HDP26 / HDP24 / JPT

ISOBUS CONNECTORS OVERMOULDED
Open end cable

Female connector HDP

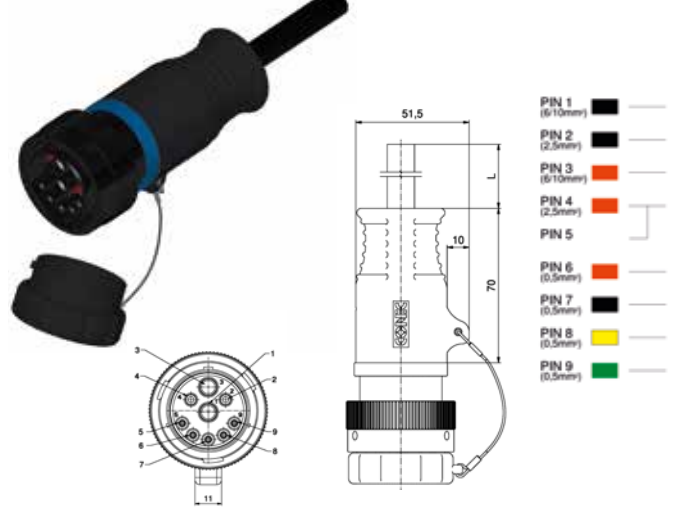
PUR hybrid cable

Contact assignment

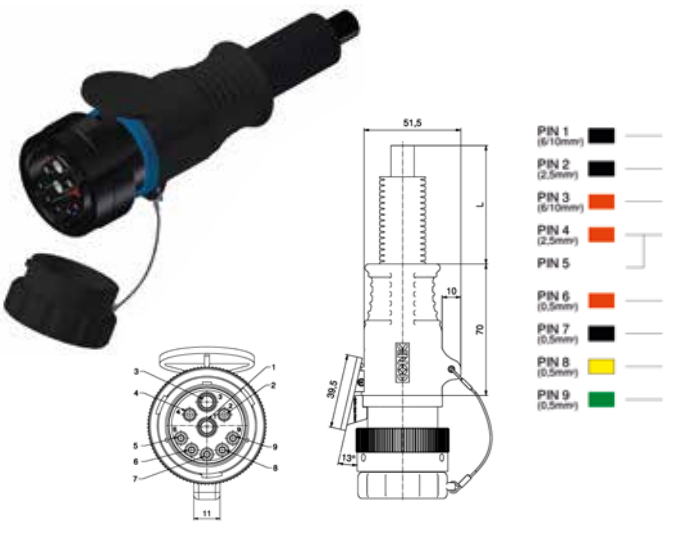


600P: 2 x 6 mm² [25 A] +
2 x 2.5 mm² [15 A] +
4 x 0.5 mm² [5 A]
1000P: 2 x 10 mm² [35 A] +
2 x 2.5 mm² [15 A] +
4 x 0.5 mm² [5 A]

PUR hybrid cable



PUR hybrid cable with corrugated tube



No. of poles	Rated voltage [A]	Current rating [A]	Cable length = L [m]	Wire cross section [mm ²]	Landing plate	Description	Part No.				
9	max. 32 V DC	600P	2	2 x 6 2 x 2,5 4 x 0,5	✓	HDP26-24-91-S-L1/600P/2m	55-10001				
			5			HDP26-24-91-S-L1/600P/5m	55-10002				
			10			HDP26-24-91-S-L1/600P/10m	55-10003				
		1000P	2	2 x 10 2 x 2,5 4 x 0,5		HDP26-24-91-S-L1/1000P/2m	55-10007				
			5			HDP26-24-91-S-L1/1000P/5m	55-10008				
			10			HDP26-24-91-S-L1/1000P/10m	55-10009				
			9			max. 32 V DC	600P	2	✓	HDP26-24-91-S/600P/2m	55-10004
								5		HDP26-24-91-S/600P/5m	55-10005
								10		HDP26-24-91-S/600P/10m	55-10006
1000P	2	HDP26-24-91-S/1000P/2m		55-10010							
	5	HDP26-24-91-S/1000P/5m		55-10011							
10	HDP26-24-91-S/1000P/10m	55-10012									
9	max. 32 V DC	600P	2	✓	HDP26-24-91-S-L1-W/600P/2m	55-10018					
			5		HDP26-24-91-S-L1-W/600P/5m	55-10021					
			10		HDP26-24-91-S-L1-W/600P/10m	55-10022					
		1000P	2		HDP26-24-91-S-L1-W/1000P/2m	55-10047					
			5		HDP26-24-91-S-L1-W/1000P/5m	55-10048					
			10		HDP26-24-91-S-L1-W/1000P/10m	55-10049					

ISOBUS CONNECTORS OVERMOULDED
Connecting cable

Female connector HDP

PUR hybrid cable

Contact assignment



600P: 2 x 6 mm² [25 A] +
2 x 2.5 mm² [15 A] +
4 x 0.5 mm² [5 A]
1000P: 2 x 10 mm² [35 A] +
2 x 2.5 mm² [15 A] +
4 x 0.5 mm² [5 A]
* Landing plate only female connector

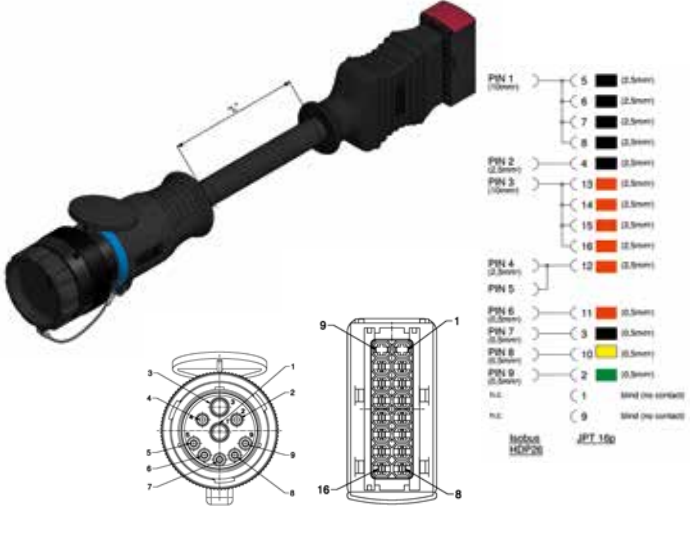
No. of poles	Rated voltage [A]	Current rating [A]	Cable length = L [m]	Wire cross section [mm ²]	Landing plate	Description	Part No.
9	max. 32 V DC	600P	6	2x6 2x2,5 4x0,5	✓*	HDP26-24-91-S-L1-HDP24-24-91-P/600P/6m	55-10035
			9		✓*	HDP26-24-91-S-L1-HDP24-24-91-P/600P/9m	55-10036
			12		✓*	HDP26-24-91-S-L1-HDP24-24-91-P/600P/12m	55-10037
		1000P	6	2x10 2x2,5 4x0,5	✓*	HDP26-24-91-S-L1-HDP24-24-91-P/1000P/6m	55-10038
			9		✓*	HDP26-24-91-S-L1-HDP24-24-91-P/1000P/9m	55-10039
			12		✓*	HDP26-24-91-S-L1-HDP24-24-91-P/1000P/12m	55-10040

PUR hybrid cable with corrugated tube



9	max. 32 V DC	600P	6	2x6 2x2,5 4x0,5	✓*	HDP26-24-91-S-L1-HDP24-24-91-P-W/600P/6m	55-10041
			9		✓*	HDP26-24-91-S-L1-HDP24-24-91-P-W/600P/9m	55-10042
			12		✓*	HDP26-24-91-S-L1-HDP24-24-91-P-W/600P/12m	55-10043
		1000P	6	2x10 2x2,5 4x0,5	✓*	HDP26-24-91-S-L1-HDP24-24-91-P-W/1000P/6m	55-10044
			9		✓*	HDP26-24-91-S-L1-HDP24-24-91-P-W/1000P/9m	55-10045
			12		✓*	HDP26-24-91-S-L1-HDP24-24-91-P-W/1000P/12m	55-10046

PUR hybrid cable



9 / 16	max. 12 V DC	1000P	6	2x10 2x2,5 4x0,5	✓*	HDP26-24-91-S-L1-JPT-16-S/1000P/6m	55-10051
			9		✓*	HDP26-24-91-S-L1-JPT-16-S/1000P/9m	55-10052
			12		✓*	HDP26-24-91-S-L1-JPT-16-S/1000P/12m	55-10053

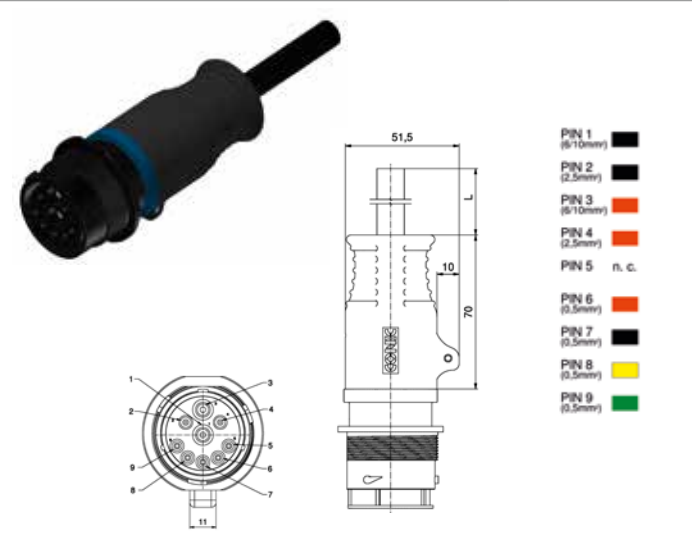
ISOBUS CONNECTORS OVERMOULDED

Open end cable


Male connector HDP

PUR hybrid cable

Contact assignment

Description	Part No.	No. of poles	Rated voltage [A]	Current rating [A]	Cable length = L [m]	Wire cross section [mm ²]	Landing plate		
								600P:	
 <p> PIN 1 (ø/10mm) ■ PIN 2 (2.5mm) ■ PIN 3 (ø/10mm) ■ PIN 4 (2.5mm) ■ PIN 5 n. c. PIN 6 (2.5mm) ■ PIN 7 (2.5mm) ■ PIN 8 (2.5mm) ■ PIN 9 (2.5mm) ■ </p>	HDP24-24-91-P/600P/2m	55-10023	9	max. 32 V DC	600P	2	2 x 6 2 x 2,5 4 x 0,5	600P	
	HDP24-24-91-P/600P/5m	55-10024				5			
	HDP24-24-91-P/600P/10m	55-10025				10			
	HDP24-24-91-P/1000P/2m	55-10026	9	max. 32 V DC	1000P	2	2 x 10 2 x 2,5 4 x 0,5	1000P	
	HDP24-24-91-P/1000P/5m	55-10027							5
	HDP24-24-91-P/1000P/10m	55-10028							10

PUR hybrid cable with corrugated tube

Description	Part No.	No. of poles	Rated voltage [A]	Current rating [A]	Cable length = L [m]	Wire cross section [mm ²]	Landing plate		
								600P:	
 <p> PIN 1 (ø/10mm) ■ PIN 2 (2.5mm) ■ PIN 3 (ø/10mm) ■ PIN 4 (2.5mm) ■ PIN 5 n. c. PIN 6 (2.5mm) ■ PIN 7 (2.5mm) ■ PIN 8 (2.5mm) ■ PIN 9 (2.5mm) ■ </p>	HDP24-24-91-P-W/600P/2m	55-10029	9	max. 32 V DC	600P	2	2 x 6 2 x 2,5 4 x 0,5	600P	
	HDP24-24-91-P-W/600P/5m	55-10030				5			
	HDP24-24-91-P-W/600P/10m	55-10031				10			
	HDP24-24-91-P-W/1000P/2m	55-10032	9	max. 32 V DC	1000P	2	2 x 10 2 x 2,5 4 x 0,5	1000P	
	HDP24-24-91-P-W/1000P/5m	55-10033							5
	HDP24-24-91-P-W/1000P/10m	55-10034							10

По вопросам продаж и поддержки обращайтесь:

Архангельск (8182)63-90-72
 Астана (7172)727-132
 Астрахань (8512)99-46-04
 Барнаул (3852)73-04-60
 Белгород (4722)40-23-64
 Брянск (4832)59-03-52
 Владивосток (423)249-28-31
 Волгоград (844)278-03-48
 Вологда (8172)26-41-59
 Воронеж (473)204-51-73
 Екатеринбург (343)384-55-89

Иваново (4932)77-34-06
 Ижевск (3412)26-03-58
 Казань (843)206-01-48
 Калининград (4012)72-03-81
 Калуга (4842)92-23-67
 Кемерово (3842)65-04-62
 Киров (8332)68-02-04
 Краснодар (861)203-40-90
 Красноярск (391)204-63-61
 Курск (4712)77-13-04
 Липецк (4742)52-20-81

Магнитогорск (3519)55-03-13
 Москва (495)268-04-70
 Мурманск (8152)59-64-93
 Набережные Челны (8552)20-53-41
 Нижний Новгород (831)429-08-12
 Новокузнецк (3843)20-46-81
 Новосибирск (383)227-86-73
 Омск (3812)21-46-40
 Орел (4862)44-53-42
 Оренбург (3532)37-68-04
 Пенза (8412)22-31-16

Пермь (342)205-81-47
 Ростов-на-Дону (863)308-18-15
 Рязань (4912)46-61-64
 Самара (846)206-03-16
 Санкт-Петербург (812)309-46-40
 Саратов (845)249-38-78
 Севастополь (8692)22-31-93
 Симферополь (3652)67-13-56
 Смоленск (4812)29-41-54
 Сочи (862)225-72-31
 Ставрополь (8652)20-65-13

Сургут (3462)77-98-35
 Тверь (4822)63-31-35
 Томск (3822)98-41-53
 Тула (4872)74-02-29
 Тюмень (3452)66-21-18
 Ульяновск (8422)24-23-59
 Уфа (347)229-48-12
 Хабаровск (4212)92-98-04
 Челябинск (351)202-03-61
 Череповец (8202)49-02-64
 Ярославль (4852)69-52-93

Единый адрес: ccn@nt-rt.ru | <http://www.conec.nt-rt.ru>