

По вопросам продаж и поддержки обращайтесь:

Архангельск (8182)63-90-72
Астана (7172)727-132
Астрахань (8512)99-46-04
Барнаул (3852)73-04-60
Белгород (4722)40-23-64
Брянск (4832)59-03-52
Владивосток (423)249-28-31
Волгоград (844)278-03-48
Вологда (8172)26-41-59
Воронеж (473)204-51-73
Екатеринбург (343)384-55-89

Иваново (4932)77-34-06
Ижевск (3412)26-03-58
Казань (843)206-01-48
Калининград (4012)72-03-81
Калуга (4842)92-23-67
Кемерово (3842)65-04-62
Киров (8332)68-02-04
Краснодар (861)203-40-90
Красноярск (391)204-63-61
Курск (4712)77-13-04
Липецк (4742)52-20-81

Магнитогорск (3519)55-03-13
Москва (495)268-04-70
Мурманск (8152)59-64-93
Набережные Челны (8552)20-53-41
Нижний Новгород (831)429-08-12
Новокузнецк (3843)20-46-81
Новосибирск (383)227-86-73
Омск (3812)21-46-40
Орел (4862)44-53-42
Оренбург (3532)37-68-04
Пенза (8412)22-31-16

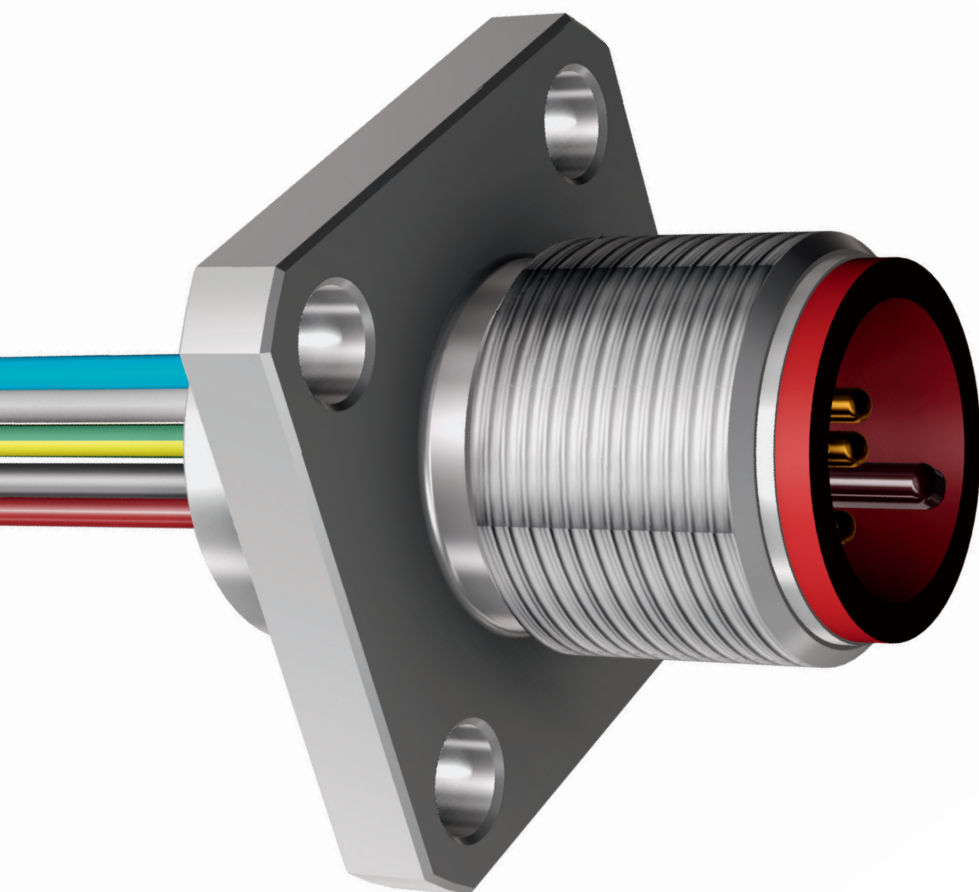
Пермь (342)205-81-47
Ростов-на-Дону (863)308-18-15
Рязань (4912)46-61-64
Самара (846)206-03-16
Санкт-Петербург (812)309-46-40
Саратов (845)249-38-78
Севастополь (8692)22-31-93
Симферополь (3652)67-13-56
Смоленск (4812)29-41-54
Сочи (862)225-72-31
Ставрополь (8652)20-65-13

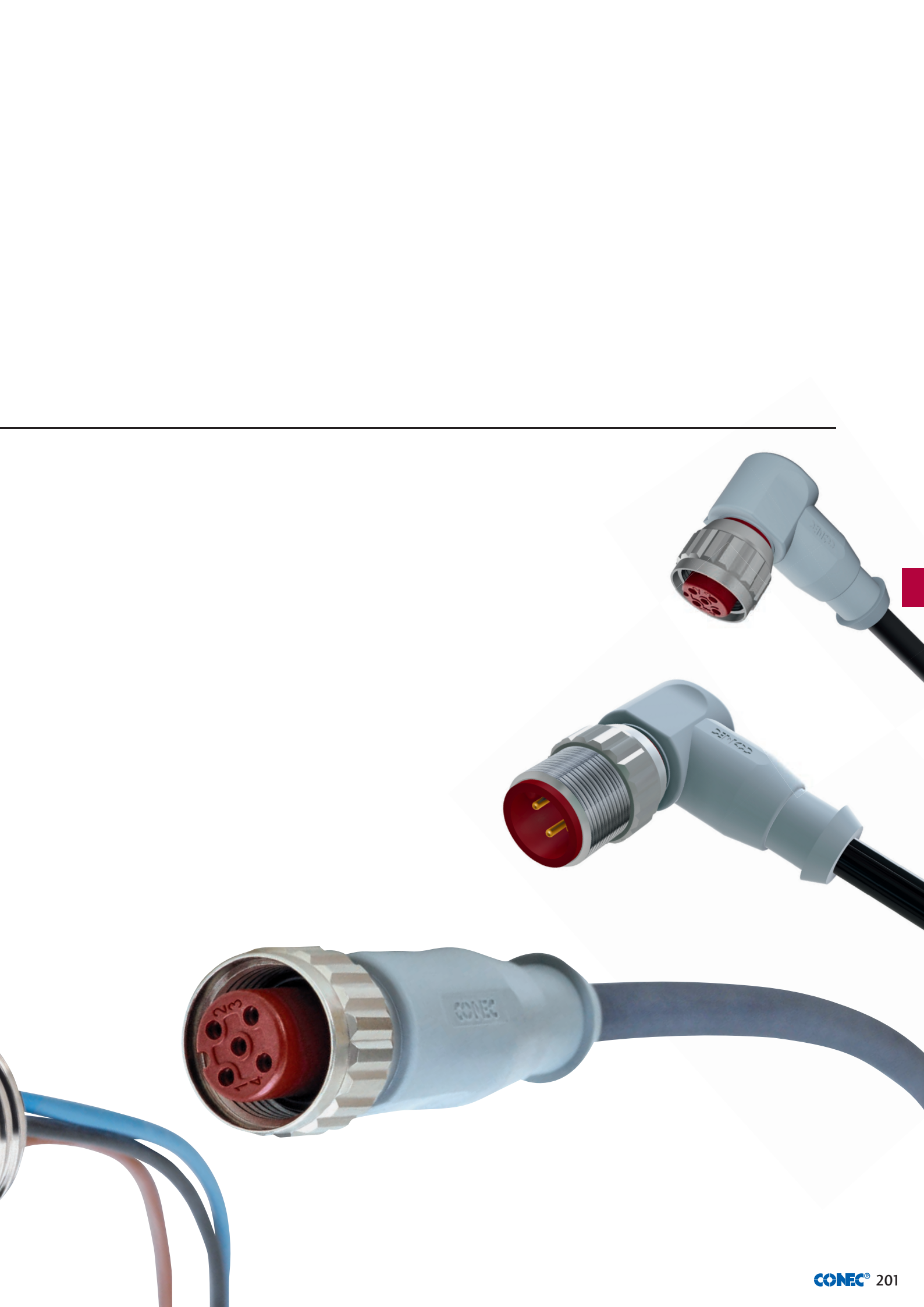
Сургут (3462)77-98-35
Тверь (4822)63-31-35
Томск (3822)98-41-53
Тула (4872)74-02-29
Тюмень (3452)66-21-18
Ульяновск (8422)24-23-59
Уфа (347)229-48-12
Хабаровск (4212)92-98-04
Челябинск (351)202-03-61
Череповец (8202)49-02-64
Ярославль (4852)69-52-93

Единый адрес: ccn@nt-rt.ru | <http://www.conec.nt-rt.ru>

Section 7

HIGH TEMPERATURE CONNECTORS





SAL M12x1 HIGH TEMPERATURE CONNECTORS OVERMOULDED

Nomenclature

S A L - H T - 1 2 - R K W 4 - 3 / S 1

SAL
Sensor Actor Line

Type
HT = High Temperature 125° C

Installation size
12 = M12x1

Coding
= A-coding

Design
R = Circular connector

Gender
K = Female connector
S = Male connector

Configuration
= Axial
W = Angled

Number of poles
3 = 3-pos.
4 = 4-pos.
5 = 5-pos.

Cable length
XX = Length [m]

Cable quality
S1 = TPE, black

SAL M12x1 HIGH TEMPERATURE CONNECTORS OVERMOULDED

Product specification

Basic material	
Contact	CuZn, CuBe
Contact plating	Nickel plated, gold plated
Contact carrier	PBT GF, UL 94
Overmould	Thermoplastic elastomere
Sealing	FPM
Coupling nut/-screw	CuZn, nickel plated

Technical Data

Information on the following pages are basing on below mentioned IEC-standards.

Rated voltage	IEC 61076-2-101
Current rating	IEC 61076-2-101
Insulation resistance	IEC 60512-2
Degree of pollution	IEC 60664-1
Degree of protection	DIN 60529
Mating cycles	IEC 60512-9a

Technical subject to change without notice.

SAL M12x1 HIGH TEMPERATURE SOCKETS

Nomenclature

S A L - H T - 1 2 - F K P 4 - 0,5 - 9

SAL
Sensor Actor Line

Type
HT = High Temperature 125° C

Installation size
12 = M12x1

Coding
= A-coding

Design
F = Socket

Gender
K = Female connector
S = Male connector

Assembly
= Front panel mounting
P = Positioning possible, frontmounting
H = Back panel mounting
VO = Square flange with O-ring

Number of poles
3 = 3-pos.
4 = 4-pos.
5 = 5-pos.

Type of Connection/Installation height
XX = Wire lenght [m]
L = Solder cup
P5,5 = Dip solder ,5 mm
P12 = Dip solder 12 mm
Pxx = Installation height one-piece socket

Screw connection
= M16x1,5
9 = PG9

SAL M12x1 HIGH TEMPERATURE SOCKETS

Product specification

Basic material	
Contact	CuZn, CuBe
Contact plating	Nickel plated, gold plated
Contact carrier	PBT GF, UL 94
Sealing	FPM
Counter nut	CuZn, nickel plated
Socket housing	CuZn, nickel plated
Sealing Compound	Polyurethane-resin, UL 94

Technical Data

Information on the following pages are basing on below mentioned IEC-standards.

Rated voltage	IEC 61076-2-101
Current rating	IEC 61076-2-101
Insulation resistance	IEC 60512
Degree of pollution	IEC 60664-1
Degree of protection	DIN 60529
Mating cycles	IEC 60512-9a

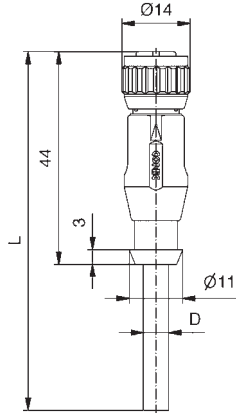
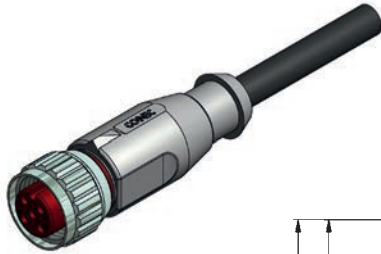
Technical subject to change without notice.

M12x1 HT CONNECTORS OVERMOULDED (up to 125°C)

Female connector axial

TPE, black, Li12Y33X

Contact assignment



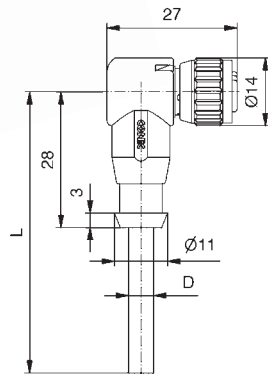
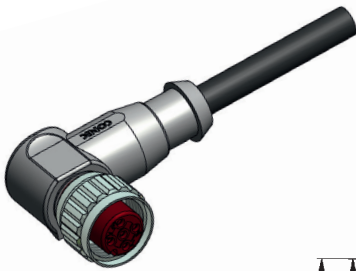
- Pin 1 ■
- Pin 2 ■
- Pin 3 ■
- Pin 4 ■

- Pin 1 ■
- Pin 2 ■
- Pin 3 ■
- Pin 4 ■
- Pin 5 ■

Number of poles	Coding	Rated voltage [V]	Current rating [A]	Cable length = L [m]	Wire cross section [mm ²]	Description	Part No.
4	A	250	4	0,34	2	SAL-HT-12-RK4-2/S1	43-10480
					3	SAL-HT-12-RK4-3/S1	43-10481
					5	SAL-HT-12-RK4-5/S1	43-10482
					10	SAL-HT-12-RK4-10/S1	43-10483
5	A	60	4	0,34	2	SAL-HT-12-RK5-2/S1	43-10484
					3	SAL-HT-12-RK5-3/S1	43-10485
					5	SAL-HT-12-RK5-5/S1	43-10486
					10	SAL-HT-12-RK5-10/S1	43-10487

Female connector angled

TPE, black, Li12Y33X



- Pin 1 ■
- Pin 2 ■
- Pin 3 ■
- Pin 4 ■

- Pin 1 ■
- Pin 2 ■
- Pin 3 ■
- Pin 4 ■
- Pin 5 ■

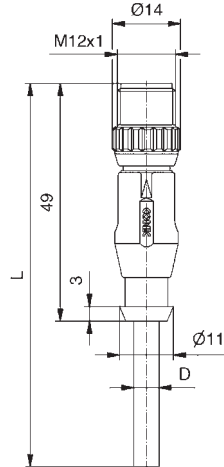
4	A	250	4	0,34	2	SAL-HT-12-RKW4-2/S1	43-10496
					3	SAL-HT-12-RKW4-3/S1	43-10497
					5	SAL-HT-12-RKW4-5/S1	43-10498
					10	SAL-HT-12-RKW4-10/S1	43-10499
5	A	60	4	0,34	2	SAL-HT-12-RKW5-2/S1	43-10500
					3	SAL-HT-12-RKW5-3/S1	43-10501
					5	SAL-HT-12-RKW5-5/S1	43-10502
					10	SAL-HT-12-RKW5-10/S1	43-10503

M12x1 HT CONNECTORS OVERMOULDED (up to 125°C)

Male connector axial

TPE, black, Li12Y33X

Contact assignment



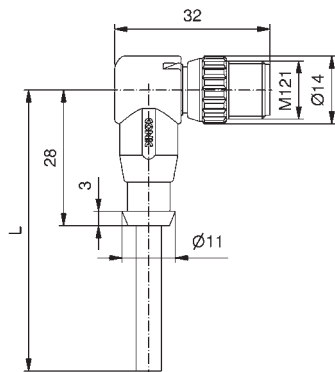
- Pin 1 ■
- Pin 2 ■
- Pin 3 ■
- Pin 4 ■

- Pin 1 ■
- Pin 2 ■
- Pin 3 ■
- Pin 4 ■
- Pin 5 ■

Number of poles	Coding	Rated voltage [V]	Current rating [A]	Cable length = L [m]	Wire cross section [mm ²]	Description	Part No.
4	A	250	4	0,34	2	SAL-HT-12-RS4-2/S1	43-10488
					3	SAL-HT-12-RS4-3/S1	43-10489
					5	SAL-HT-12-RS4-5/S1	43-10490
					10	SAL-HT-12-RS4-10/S1	43-10491
5	A	60	4	0,34	2	SAL-HT-12-RS5-2/S1	43-10492
					3	SAL-HT-12-RS5-3/S1	43-10493
					5	SAL-HT-12-RS5-5/S1	43-10494
					10	SAL-HT-12-RS5-10/S1	43-10495

Male connector angled

TPE, black, Li12Y33X



- Pin 1 ■
- Pin 2 ■
- Pin 3 ■
- Pin 4 ■

- Pin 1 ■
- Pin 2 ■
- Pin 3 ■
- Pin 4 ■
- Pin 5 ■

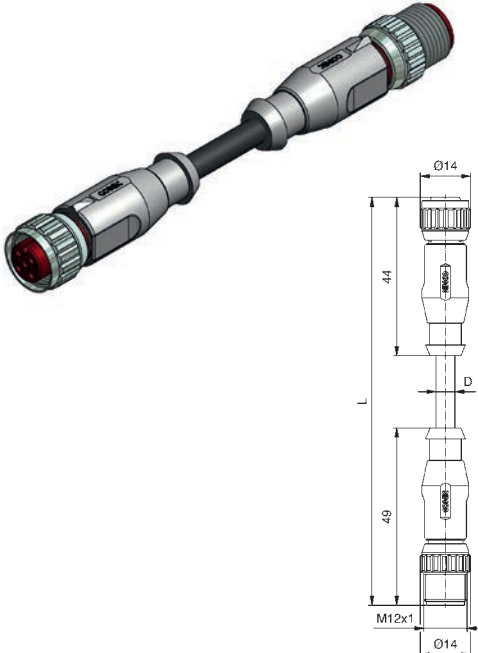
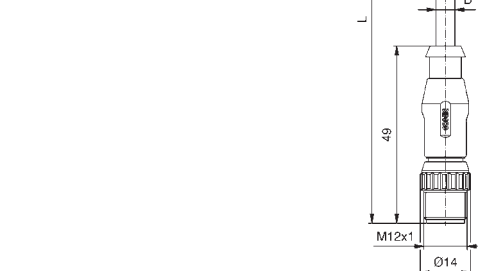
4	A	250	4	0,34	2	SAL-HT-12-RSW4-2/S1 / A1090	43-14783
					3	SAL-HT-12-RSW4-3/S1 / A1090	43-14784
					5	SAL-HT-12-RSW4-5/S1 / A1090	43-14785
					10	SAL-HT-12-RSW4-10/S1 / A1090	43-14786
5	A	60	4	0,34	2	SAL-HT-12-RSW5-2/S1 / A1090	43-14787
					3	SAL-HT-12-RSW5-3/S1 / A1090	43-14788
					5	SAL-HT-12-RSW5-5/S1 / A1090	43-14789
					10	SAL-HT-12-RSW5-10/S1 / A1090	43-14790

M12x1 HT CONNECTORS OVERMOULDED (up to 125 °C)
Connecting cable

Female connector axial
Male connector axial

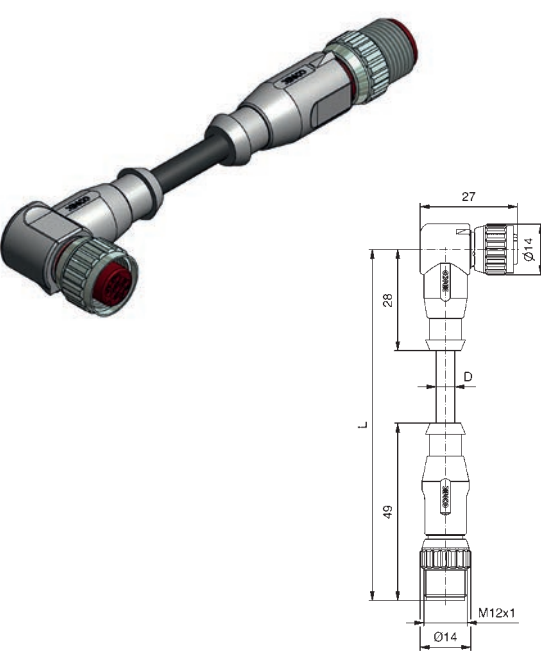
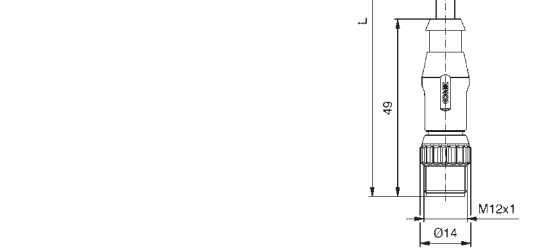
TPE, black, Li12Y33X

Contact assignment

	Number of poles	Coding	Rated voltage [V]	Current rating [A]	Cable length = L [m]	Wire cross section [mm ²]	Description	Part No.
 <p>Pin 1 ■ Pin 2 ■ Pin 3 ■ Pin 4 ■</p>	4	A	250	4	0,34	0,3	SAL-HT-12-RK4-RS4-0,3/S1	43-10900
						0,6	SAL-HT-12-RK4-RS4-0,6/S1	43-10901
						1,5	SAL-HT-12-RK4-RS4-1,5/S1	43-10902
						3	SAL-HT-12-RK4-RS4-3/S1	43-10903
 <p>Pin 1 ■ Pin 2 ■ Pin 3 ■ Pin 4 ■ Pin 5 ■</p>	5	A	60	4	0,34	0,3	SAL-HT-12-RK5-RS5-0,3/S1	43-10904
						0,6	SAL-HT-12-RK5-RS5-0,6/S1	43-10905
						1,5	SAL-HT-12-RK5-RS5-1,5/S1	43-10906
						3	SAL-HT-12-RK5-RS5-3/S1	43-10907

Female connector angled
Male connector axial

TPE, black, Li12Y33X

 <p>Pin 1 ■ Pin 2 ■ Pin 3 ■ Pin 4 ■</p>	4	A	250	4	0,34	0,3	SAL-HT-12-RKW4-RS4-0,3/S1	43-10908
						0,6	SAL-HT-12-RKW4-RS4-0,6/S1	43-10909
						1,5	SAL-HT-12-RKW4-RS4-1,5/S1	43-10910
						3	SAL-HT-12-RKW4-RS4-3/S1	43-10911
 <p>Pin 1 ■ Pin 2 ■ Pin 3 ■ Pin 4 ■ Pin 5 ■</p>	5	A	60	4	0,34	0,3	SAL-HT-12-RKW5-RS5-0,3/S1	43-10912
						0,6	SAL-HT-12-RKW5-RS5-0,6/S1	43-10913
						1,5	SAL-HT-12-RKW5-RS5-1,5/S1	43-10914
						3	SAL-HT-12-RKW5-RS5-3/S1	43-10915

M12x1 HT SOCKETS (up to 125°C)

Front panel mounting, wire termination

Female connector, M16x1.5 thread

Contact assignment

Number of poles	Coding	Rated voltage [V]	Current rating [A]	Wire material	Wire cross section [AWG]	Wire length = L [m]	Description	Part No.
4	A	250	4	Copolymer	24	0,5	SAL-HT-12-FK4-0,5	43-01022
5	A	60	4	Copolymer	24	0,5	SAL-HT-12-FK5-0,5	43-01023
5	A	60	4	Copolymer	24	0,5	SAL-HT-12-FK5.1-0,5	43-01046

Female connector, PG9 thread

Contact assignment

4	A	250	4	Copolymer	24	0,5	SAL-HT-12-FK4-0,5-9	43-01076
5	A	60	4	Copolymer	24	0,5	SAL-HT-12-FK5-0,5-9	43-01078
5	A	60	4	Copolymer	24	0,5	SAL-HT-12-FK5.1-0,5-9	43-01077

Female connector, M16x1.5 thread, positioning possible

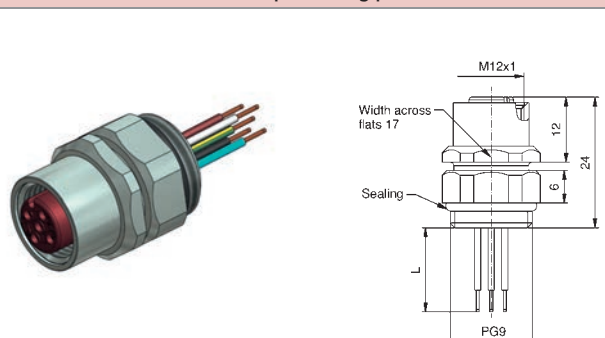
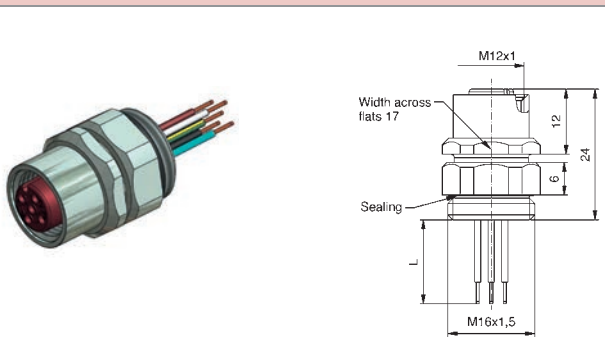
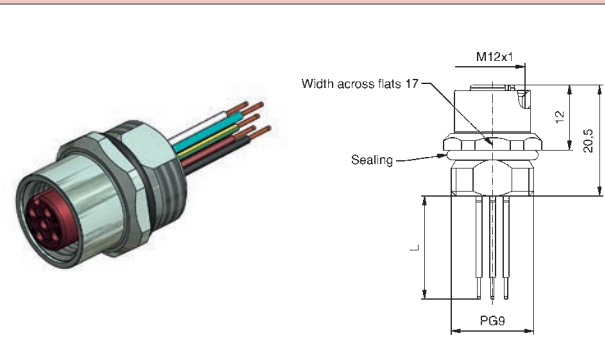
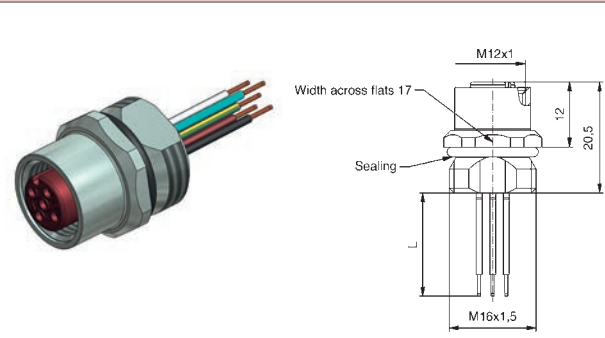
Contact assignment

4	A	250	4	Copolymer	24	0,5	SAL-HT-12-FKP4-0,5	43-01038
5	A	60	4	Copolymer	24	0,5	SAL-HT-12-FKP5-0,5	43-01039
5	A	60	4	Copolymer	24	0,5	SAL-HT-12-FKP5.1-0,5	43-01127

Female connector, PG9 thread, positioning possible

Contact assignment

4	A	250	4	Copolymer	24	0,5	SAL-HT-12-FKP4-0,5-9	43-01112
5	A	60	4	Copolymer	24	0,5	SAL-HT-12-FKP5-0,5-9	43-01113
5	A	60	4	Copolymer	24	0,5	SAL-HT-12-FKP5.1-0,5-9	43-01135



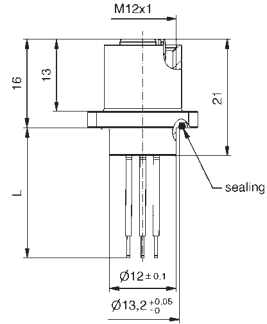
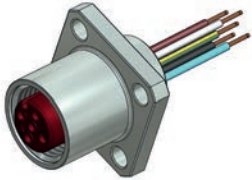
M12x1 HT SOCKETS (up to 125°C)

Front panel mounting, wire termination

Female connector, Square flange 20x20

Contact assignment

Number of poles	Coding	Rated voltage [V]	Current rating [A]	Wire material	Wire cross section [AWG]	Wire length = L [m]	Description	Part No.
4	A	250	4	Copolymer	24	0,5	SAL-HT-12-FV04-0,5-20	43-02324
5	A	60	4	Copolymer	24	0,5	SAL-HT-12-FV05-0,5-20	43-02325



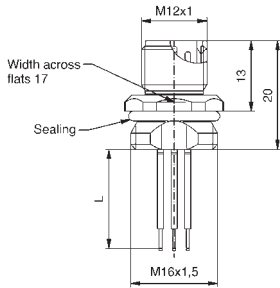
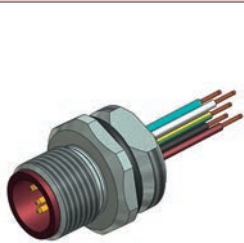
- Pin 1 ■
- Pin 2 ■
- Pin 3 ■
- Pin 4 ■

- Pin 1 ■
- Pin 2 ■
- Pin 3 ■
- Pin 4 ■
- Pin 5 ■

M12x1 HT SOCKETS (up to 125°C)

Front panel mounting, wire termination

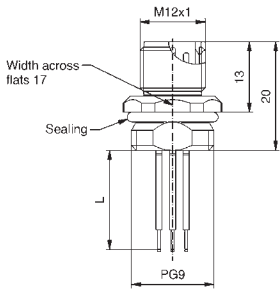
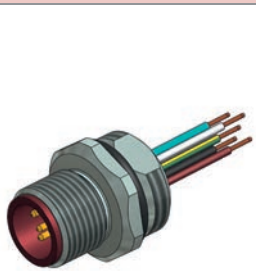
Male connector, M16x1.5 thread



- Pin 1 ■
- Pin 2 ■
- Pin 3 ■
- Pin 4 ■

Contact assignment	Number of poles	Coding	Rated voltage [V]	Current rating [A]	Wire material	Wire cross section [AWG]	Wire length = L [m]	Description	Part No.
Pin 1 ■ Pin 2 ■ Pin 3 ■ Pin 4 ■	4	A	250	4	Copolymer	24	0,5	SAL-HT-12-FS4-0,5	43-01024
Pin 1 ■ Pin 2 ■ Pin 3 ■ Pin 4 ■ Pin 5 ■	5	A	60	4	Copolymer	24	0,5	SAL-HT-12-FS5-0,5	43-01025
Pin 1 ■ Pin 2 ■ Pin 3 ■ Pin 4 ■ Pin 5 ■	5	A	60	4	Copolymer	24	0,5	SAL-HT-12-FS5.1-0,5	43-01050

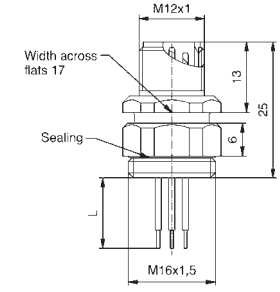
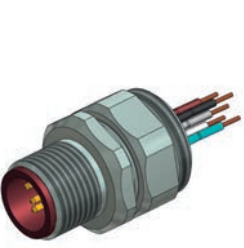
Male connector, PG9 thread



- Pin 1 ■
- Pin 2 ■
- Pin 3 ■
- Pin 4 ■

Pin 1 ■ Pin 2 ■ Pin 3 ■ Pin 4 ■	4	A	250	4	Copolymer	24	0,5	SAL-HT-12-FS4-0,5-9	43-01085
Pin 1 ■ Pin 2 ■ Pin 3 ■ Pin 4 ■ Pin 5 ■	5	A	60	4	Copolymer	24	0,5	SAL-HT-12-FS5-0,5-9	43-01087
Pin 1 ■ Pin 2 ■ Pin 3 ■ Pin 4 ■ Pin 5 ■	5	A	60	4	Copolymer	24	0,5	SAL-HT-12-FS5.1-0,5-9	43-01086

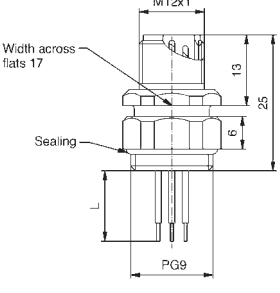
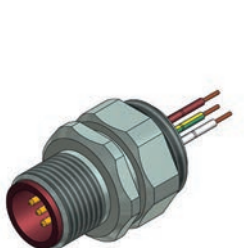
Male connector, M16x1.5 thread, positioning possible



- Pin 1 ■
- Pin 2 ■
- Pin 3 ■
- Pin 4 ■

Pin 1 ■ Pin 2 ■ Pin 3 ■ Pin 4 ■	4	A	250	4	Copolymer	24	0,5	SAL-HT-12-FSP4-0,5	43-01040
Pin 1 ■ Pin 2 ■ Pin 3 ■ Pin 4 ■ Pin 5 ■	5	A	60	4	Copolymer	24	0,5	SAL-HT-12-FSP5-0,5	43-01041
Pin 1 ■ Pin 2 ■ Pin 3 ■ Pin 4 ■ Pin 5 ■	5	A	60	4	Copolymer	24	0,5	SAL-HT-12-FSP5.1-0,5	43-01128

Male connector, PG9 thread, positioning possible



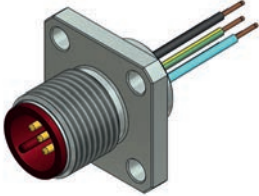
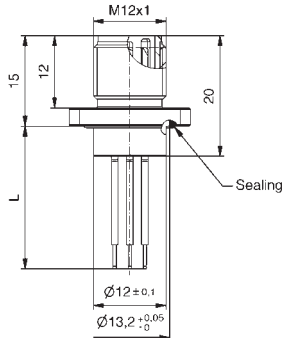
- Pin 1 ■
- Pin 2 ■
- Pin 3 ■
- Pin 4 ■

Pin 1 ■ Pin 2 ■ Pin 3 ■ Pin 4 ■	4	A	250	4	Copolymer	24	0,5	SAL-HT-12-FSP4-0,5-9	43-01114
Pin 1 ■ Pin 2 ■ Pin 3 ■ Pin 4 ■ Pin 5 ■	5	A	60	4	Copolymer	24	0,5	SAL-HT-12-FSP5-0,5-9	43-01115
Pin 1 ■ Pin 2 ■ Pin 3 ■ Pin 4 ■ Pin 5 ■	5	A	60	4	Copolymer	24	0,5	SAL-HT-12-FSP5.1-0,5-9	43-01136

M12x1 HT SOCKETS (up to 125°C)

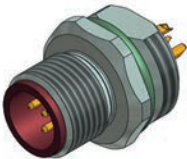
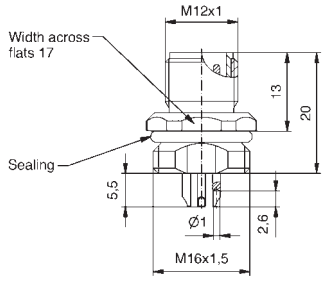
Front panel mounting, wire termination

Male connector, Square flange 20x20

Male connector, Square flange 20x20		Contact assignment	Number of poles	Coding	Rated voltage [V]	Current rating [A]	Wire material	Wire cross section [AWG]	Wire length = L [m]	Description	Part No.
 	<ul style="list-style-type: none"> Pin 1 ■ Pin 2 ■ Pin 3 ■ Pin 4 ■ 		4	A	250	4	Copolymer	24	0,5	SAL-HT-12-FSV04-0,5-20	43-02326
	<ul style="list-style-type: none"> Pin 1 ■ Pin 2 ■ Pin 3 ■ Pin 4 ■ Pin 5 ■ 		5	A	60	4	Copolymer	24	0,5	SAL-HT-12-FSV05-0,5-20	43-02327

Front panel mounting, solder termination

Male connector, M16x1.5 thread

 			4	A	250	4				SAL-HT-FS4-L	43-02357
			5	A	60	4				SAL-HT-FS5.1-L	43-02358

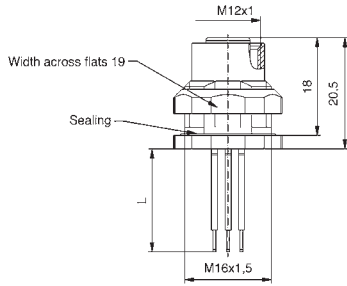
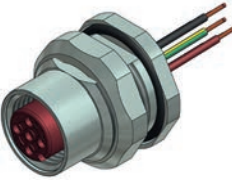
M12x1 HT SOCKETS (up to 125°C)

Back panel mounting, wire termination

Male connector, M16x1.5 thread

Contact assignment

Number of poles	Coding	Rated voltage [V]	Current rating [A]	Wire material	Wire cross section [AWG]	Wire length = L [m]
4	A	250	4	Copolymer	24	0,5
5	A	60	4	Copolymer	24	0,5
5	A	60	4	Copolymer	24	0,5



- Pin 1 ■
- Pin 2 ■
- Pin 3 ■
- Pin 4 ■

Description

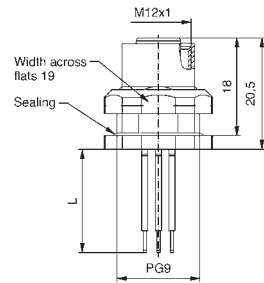
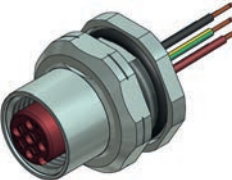
Part No.

SAL-HT-12-FKH4-0,5	43-01121
SAL-HT-12-FKH5-0,5	43-01122
SAL-HT-12-FKH5.1-0,5	43-01129

Female connector, PG9 thread

- Pin 1 ■
- Pin 2 ■
- Pin 3 ■
- Pin 4 ■
- Pin 5 ■
- Pin 5 ■

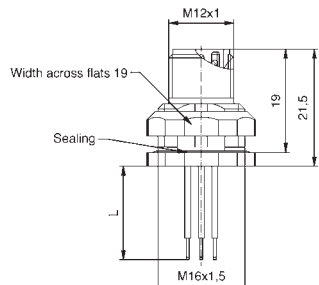
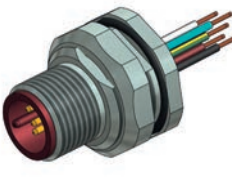
SAL-HT-12-FKH4-0,5-9	43-01119
SAL-HT-12-FKH5-0,5-9	43-01120
SAL-HT-12-FKH5.1-0,5-9	43-01137



Male connector, M16x1.5 thread

- Pin 1 ■
- Pin 2 ■
- Pin 3 ■
- Pin 4 ■
- Pin 5 ■
- Pin 5 ■

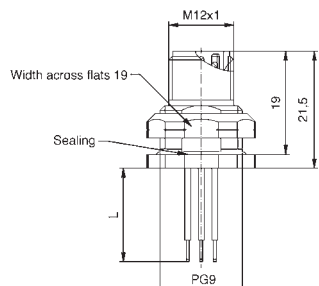
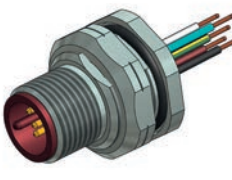
SAL-HT-12-FSH4-0,5	43-01131
SAL-HT-12-FSH5-0,5	43-01132
SAL-HT-12-FSH5.1-0,5	43-01130



Male connector, PG9 thread

- Pin 1 ■
- Pin 2 ■
- Pin 3 ■
- Pin 4 ■
- Pin 5 ■
- Pin 5 ■

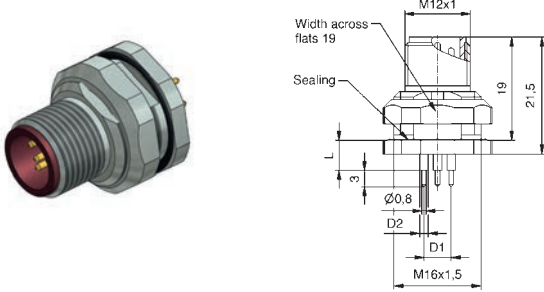
SAL-HT-12-FSH4-0,5-9	43-01133
SAL-HT-12-FSH5-0,5-9	43-01134
SAL-HT-12-FSH5.1-0,5-9	43-01138



M12x1 HT SOCKETS (up to 125 °C)

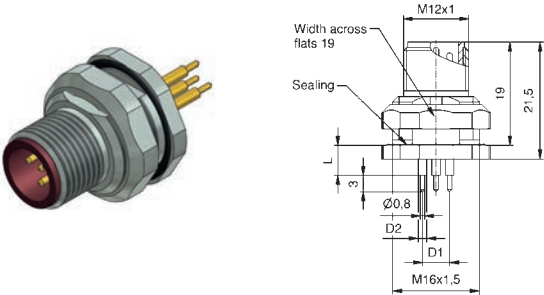
Back panel mounting, dip solder termination

Male connector, M16x1,5 thread, installation height 5.5 mm



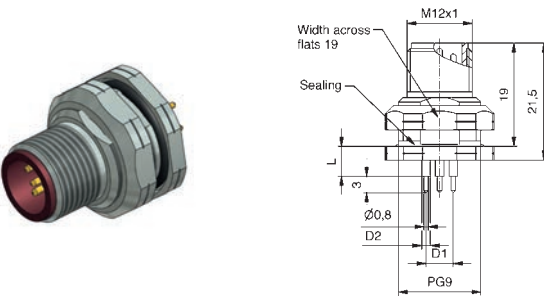
Number of poles	Coding	Rated voltage [V]	Current rating [A]	Installation height [mm]	Description	Part No.
4	A	250	4	5,5	SAL-HT-12-FSH4-P5,5	43-02316
5	A	60	4	5,5	SAL-HT-12-FSH5.1-P5,5	43-02317

Male connector, M16x1,5 thread, installation height 12 mm



4	A	250	4	12	SAL-HT-12-FSH4-P12	43-02320
5	A	60	4	12	SAL-HT-12-FSH5.1-P12	43-02321

Male connector, PG9 thread, installation height 5.5 mm



4	A	250	4	5,5	SAL-HT-12-FSH4-P5,5-9	43-02318
5	A	60	4	5,5	SAL-HT-12-FH5.1-P5,5-9	43-02319

По вопросам продаж и поддержки обращайтесь:

Архангельск (8182)63-90-72
Астана (7172)727-132
Астрахань (8512)99-46-04
Барнаул (3852)73-04-60
Белгород (4722)40-23-64
Брянск (4832)59-03-52
Владивосток (423)249-28-31
Волгоград (844)278-03-48
Вологда (8172)26-41-59
Воронеж (473)204-51-73
Екатеринбург (343)384-55-89

Иваново (4932)77-34-06
Ижевск (3412)26-03-58
Казань (843)206-01-48
Калининград (4012)72-03-81
Калуга (4842)92-23-67
Кемерово (3842)65-04-62
Киров (8332)68-02-04
Краснодар (861)203-40-90
Красноярск (391)204-63-61
Курск (4712)77-13-04
Липецк (4742)52-20-81

Магнитогорск (3519)55-03-13
Москва (495)268-04-70
Мурманск (8152)59-64-93
Набережные Челны (8552)20-53-41
Нижний Новгород (831)429-08-12
Новокузнецк (3843)20-46-81
Новосибирск (383)227-86-73
Омск (3812)21-46-40
Орел (4862)44-53-42
Оренбург (3532)37-68-04
Пенза (8412)22-31-16

Пермь (342)205-81-47
Ростов-на-Дону (863)308-18-15
Рязань (4912)46-61-64
Самара (846)206-03-16
Санкт-Петербург (812)309-46-40
Саратов (845)249-38-78
Севастополь (8692)22-31-93
Симферополь (3652)67-13-56
Смоленск (4812)29-41-54
Сочи (862)225-72-31
Ставрополь (8652)20-65-13

Сургут (3462)77-98-35
Тверь (4822)63-31-35
Томск (3822)98-41-53
Тула (4872)74-02-29
Тюмень (3452)66-21-18
Ульяновск (8422)24-23-59
Уфа (347)229-48-12
Хабаровск (4212)92-98-04
Челябинск (351)202-03-61
Череповец (8202)49-02-64
Ярославль (4852)69-52-93

Единый адрес: ccn@nt-rt.ru | <http://www.conec.nt-rt.ru>